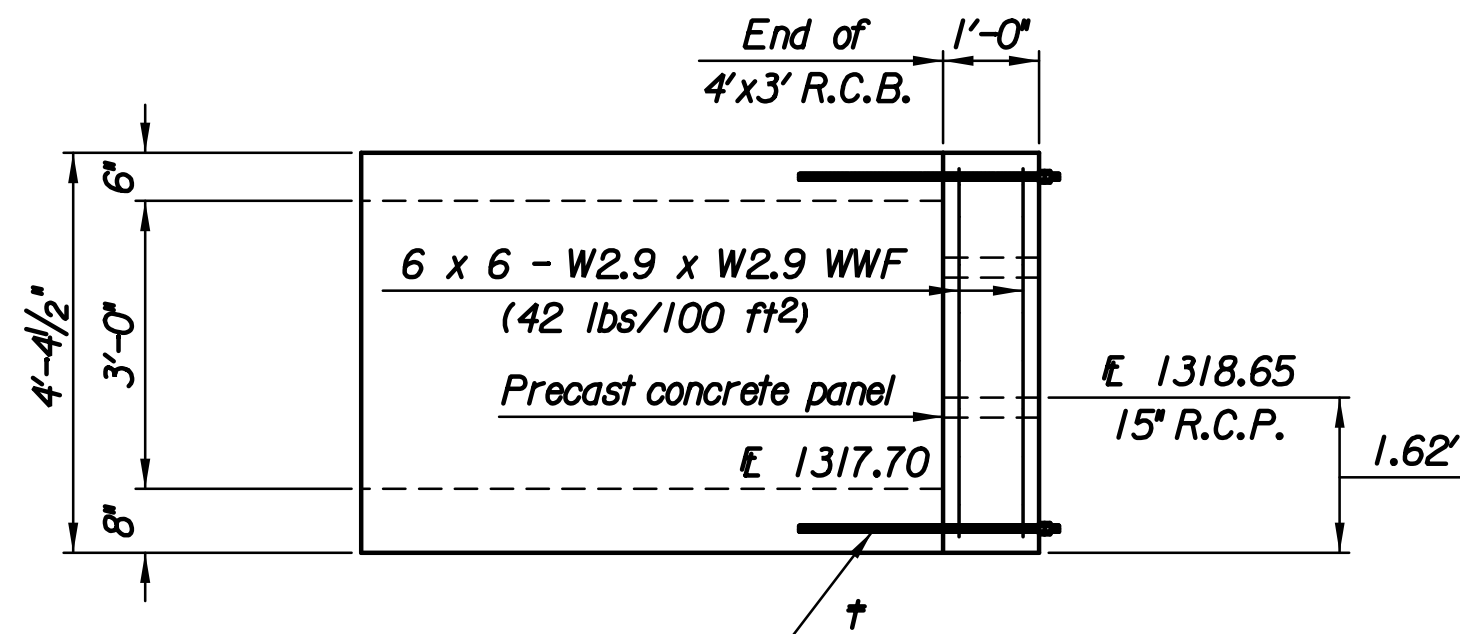


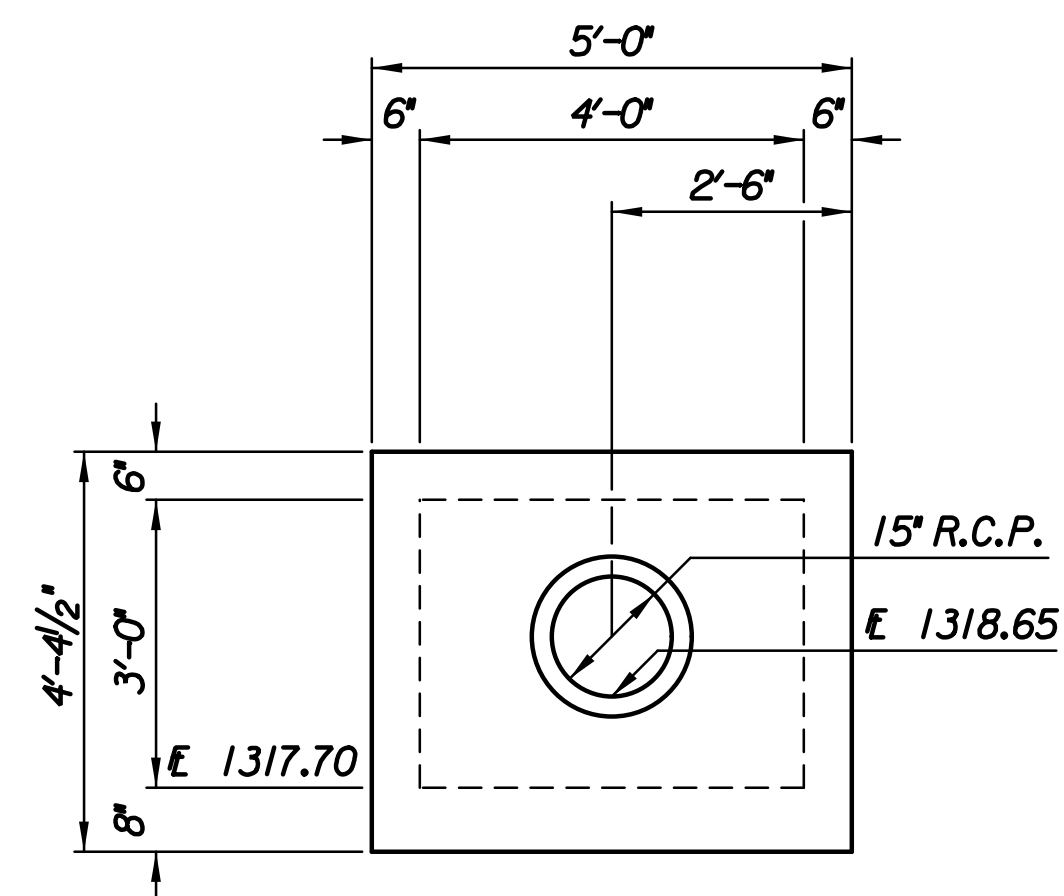
TYPICAL SECTION

† 3/4" Dia. x 2'-8" All-Thread Rod (ASTM F1554 Grade 55) with Double Heavy Hex Nuts (ASTM A563A). Drill and grout 1'-6" into 4'x3' Precast R.C.B.. Typical each corner.

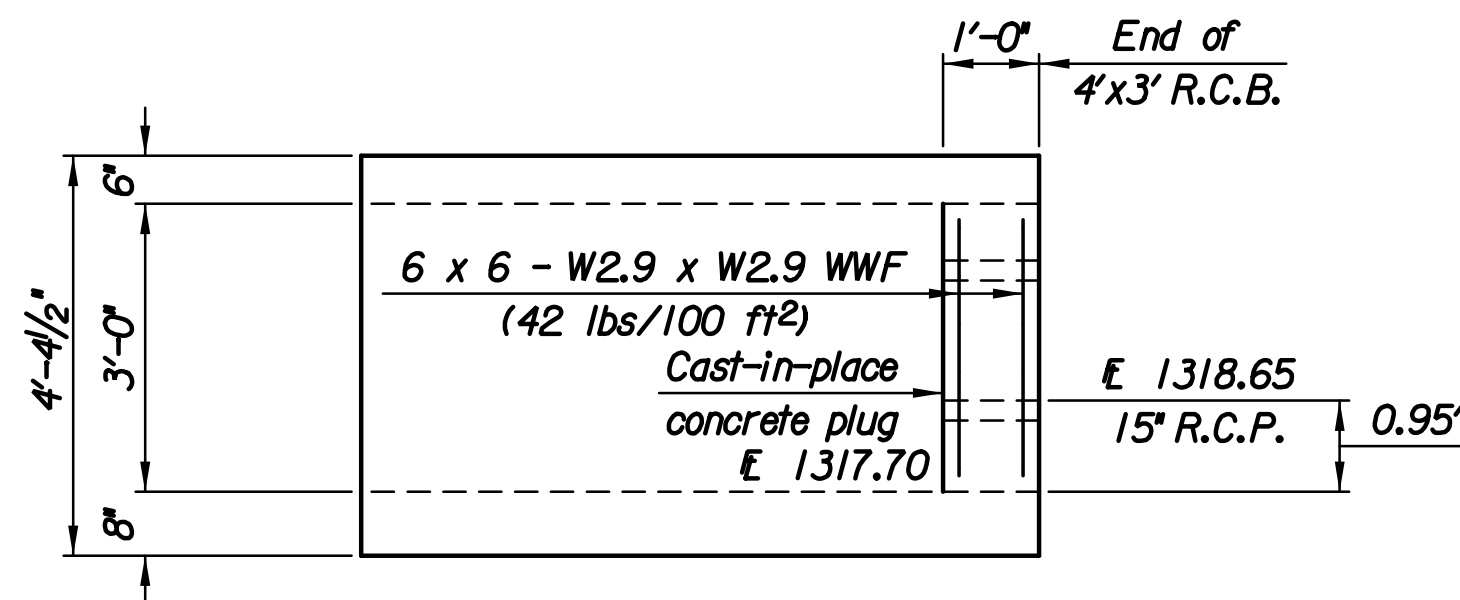


ELEVATION

CONSTRUCTION: Construct a concrete plug according to one of the methods depicted or submit an alternate method for approval by the Engineer. The plug shall seal the 4'x3' R.C.B. and have an allowance for the 15' R.C.P. Construction of the plug will be subsidiary to the construction of the 4'x3' R.C.B.




TYPICAL SECTION



ELEVATION

Plotted By: svb Date: 8/4/2013 4:58:35 PM
 FILE: I:\2008\0820\Bridg\Final\08207 - 4X3 RCB Plug.dgn

No.	Revision	By	Date
37TH STREET NORTH			
4x3 RCB PLUG			
STA. 133+92.50			
GARY JANZEN, P.E.-CITY ENGINEER CITY OF WICHITA PROJECT NO. 472-84692			
 PROFESSIONAL ENGINEERING CONSULTANTS, P.A. 303 SOUTH TOPEKA WICHITA, KS 67202 316-262-2691 www.pec1.com			
Designed by	CWPJ	Job No.	08207
Drawn by	CWPJ	Date	August, 2013
			Sht. 74 of 193