

STATE	PROJECT NO.	YEAR	SHEET NO.	TOTAL SHEETS
KANSAS	472-84692	2013	94	193

GENERAL NOTES

UNIT STRESSES: Grade 4.0 Concrete; $f'c = 4,000$ p.s.i.
Reinforcing Steel; $f_y = 60,000$ p.s.i.

CONCRETE: Grade 4.0 Concrete shall be used throughout. Bevel all exposed edges with a $\frac{3}{4}$ inch triangular moulding.

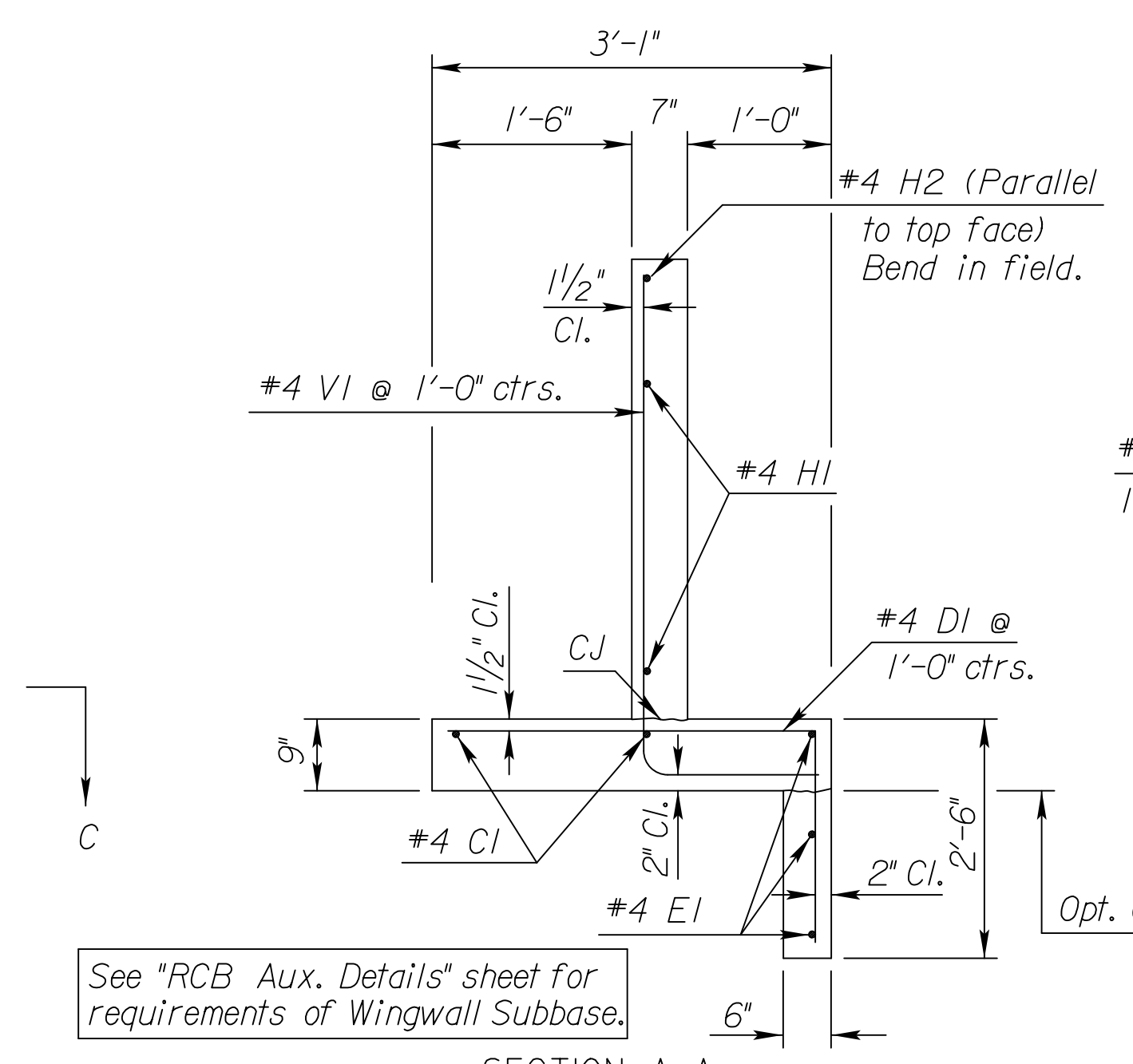
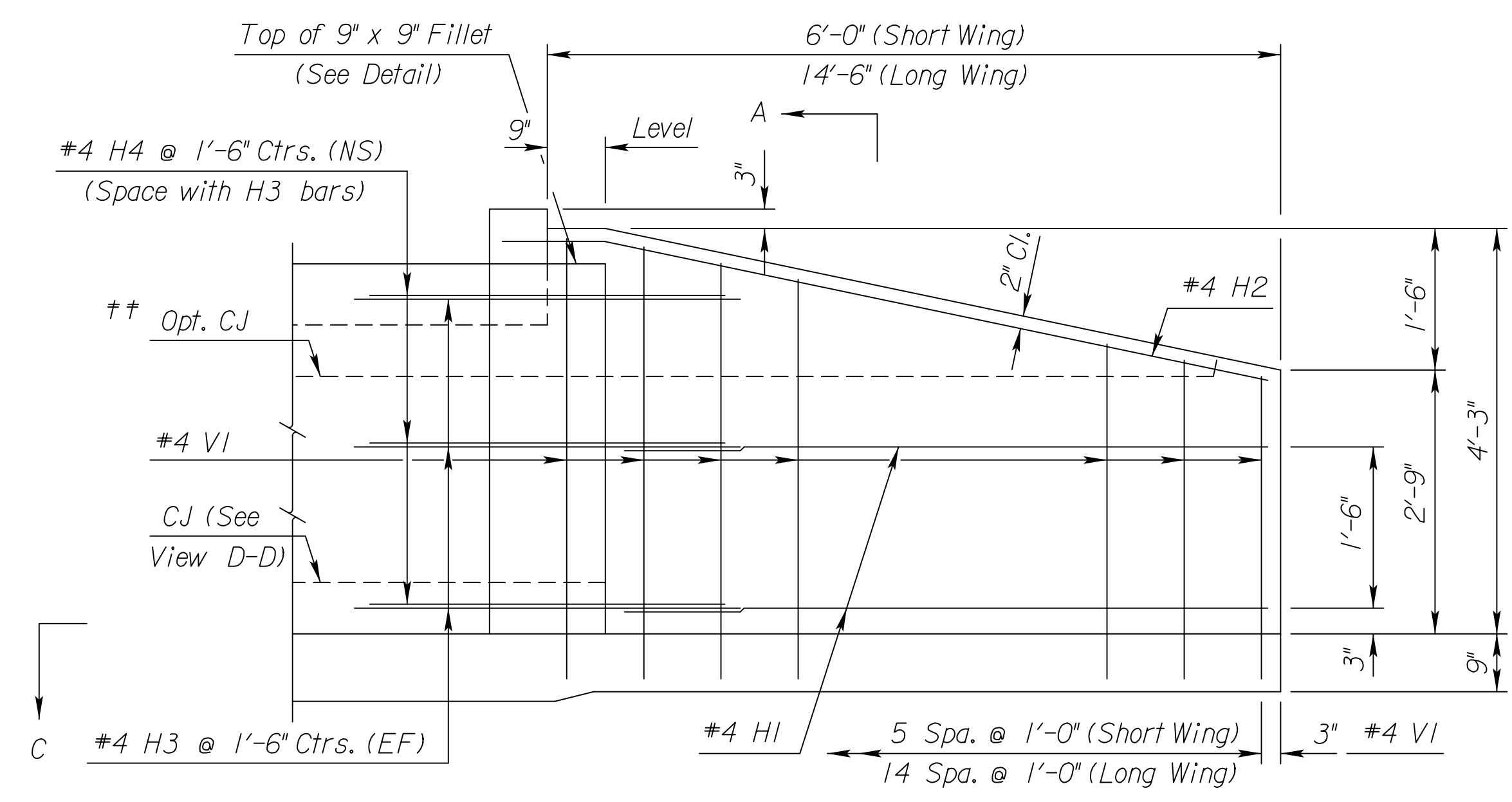
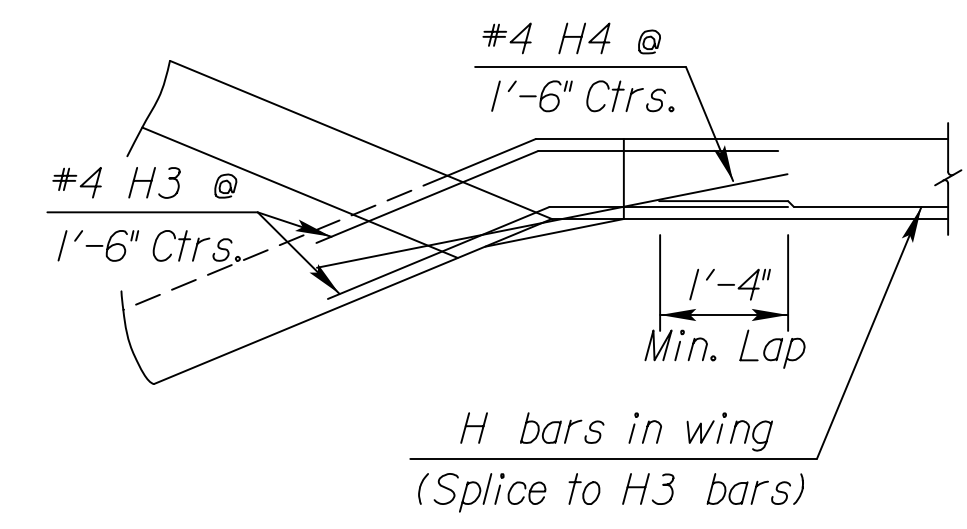
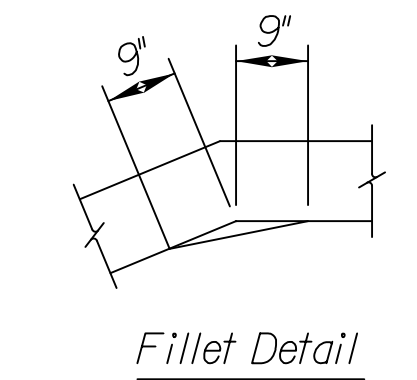
REINFORCING: All reinforcing shall conform to ASTM A615, Grade 60. Welded Wire Fabric shall conform to ASTM A185. All dimensions relative to reinforcing steel shall be to center-line of bar unless otherwise noted. All steel shall be epoxy coated, with exception to the precast sections and welded wire fabric.

QUANTITIES: Wingwall Quantities include all quantities outside the neat lines of the box, excluding the hubguard.

APRON: A 5' concrete slab shall be constructed between the downstream wings in locations subject to scour only when specified on the plans or by the Engineer. Wire Reinforcing mesh shall be electrically welded and shall be composed of 6 x 6-W1.4 x W1.4 welded wire fabric and shall be classified as pounds of reinforcing and included in the total quantity for the bid item Reinforcing Steel (Gr. 60)

BACKFILL MATERIAL: Soils judged as high plasticity clays, fat clays, expansive clays, or organic clays are unsuitable for backfill material for wingwalls and will not be used. Where these conditions exist, use Granular Backfill (Wingwalls).

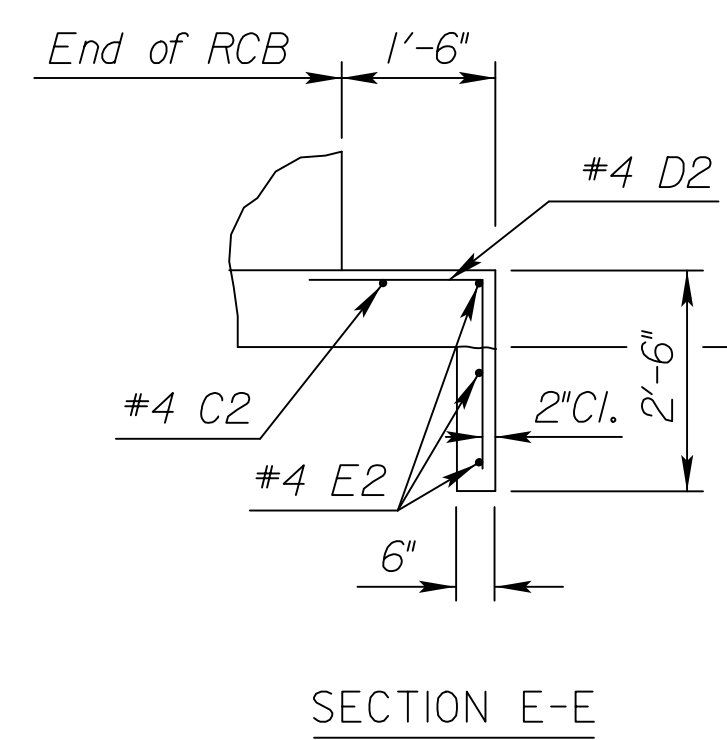
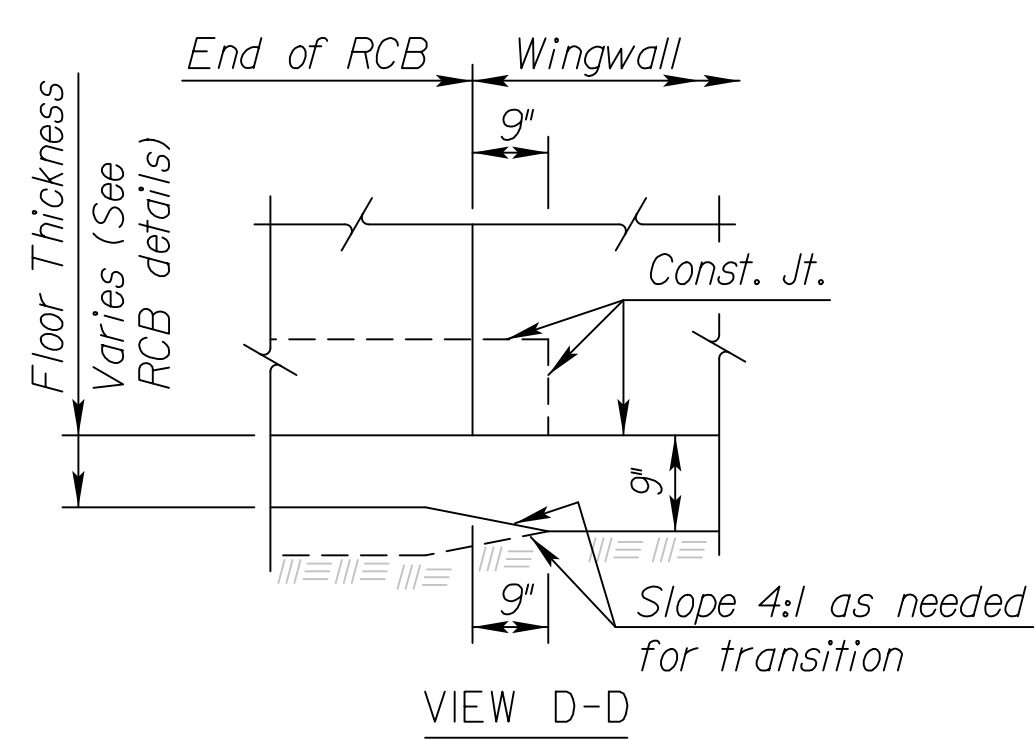
FOUNDATION STABILIZATION: Use Foundation Stabilization on all wingwalls unless Founded on rock or granular material.



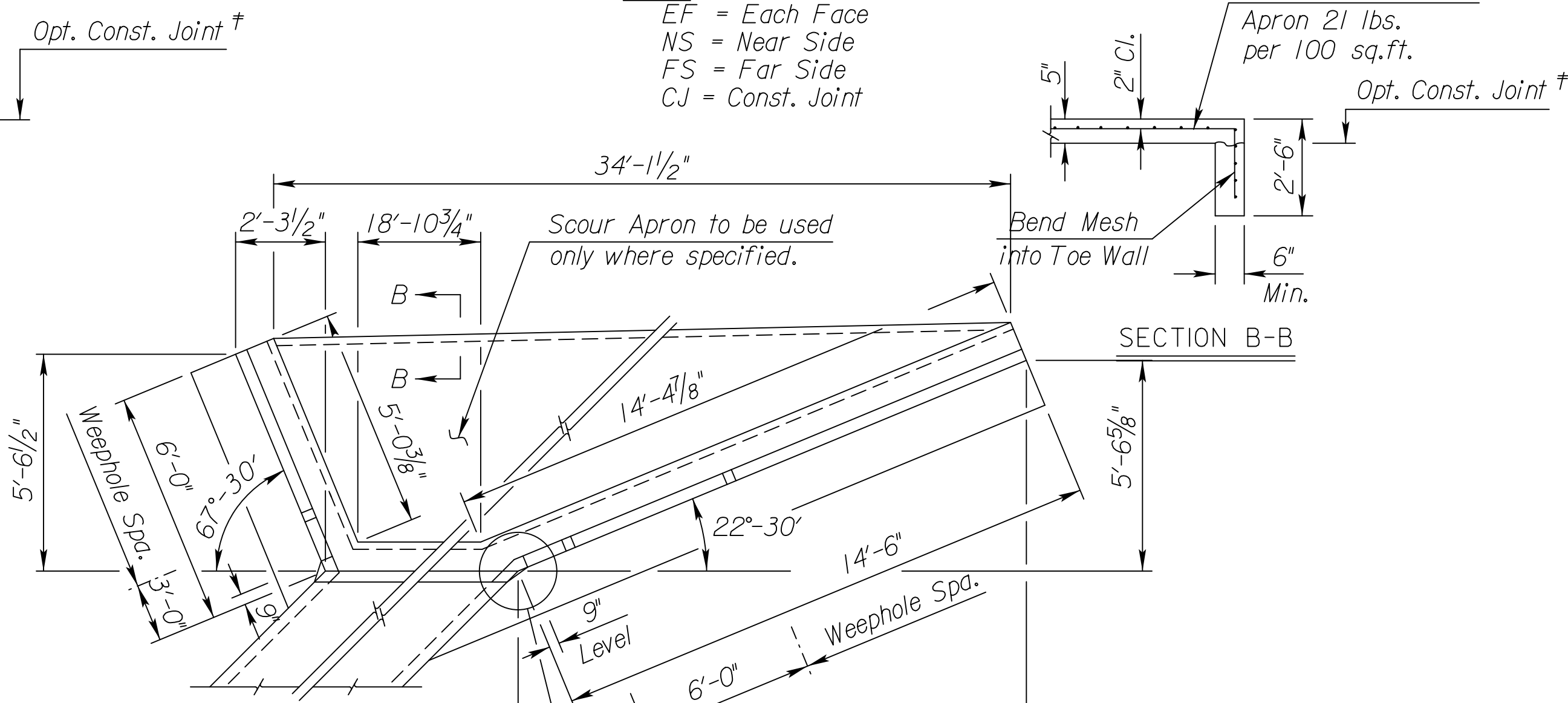
† NOTE: Const. Jt. may be used at Contractor's option when approved by the Engineer. DI bars or mesh may be spliced thus: Minimum overlap shall be 1'-3". No increase in quantities or cost shall be allowed when Contractor elects this option.

See "RCB Aux. Details" sheet for requirements of Wingwall Subbase.

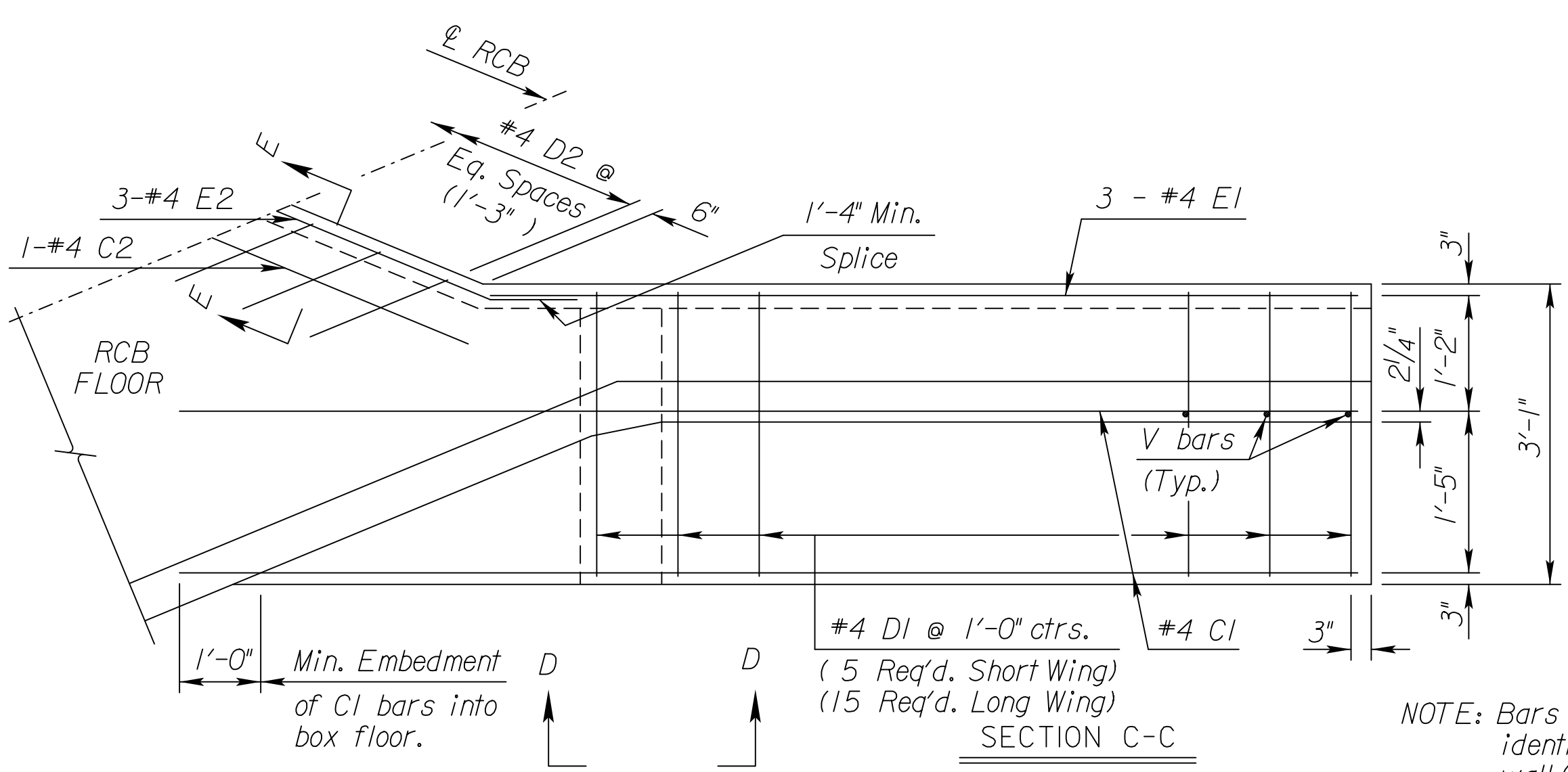
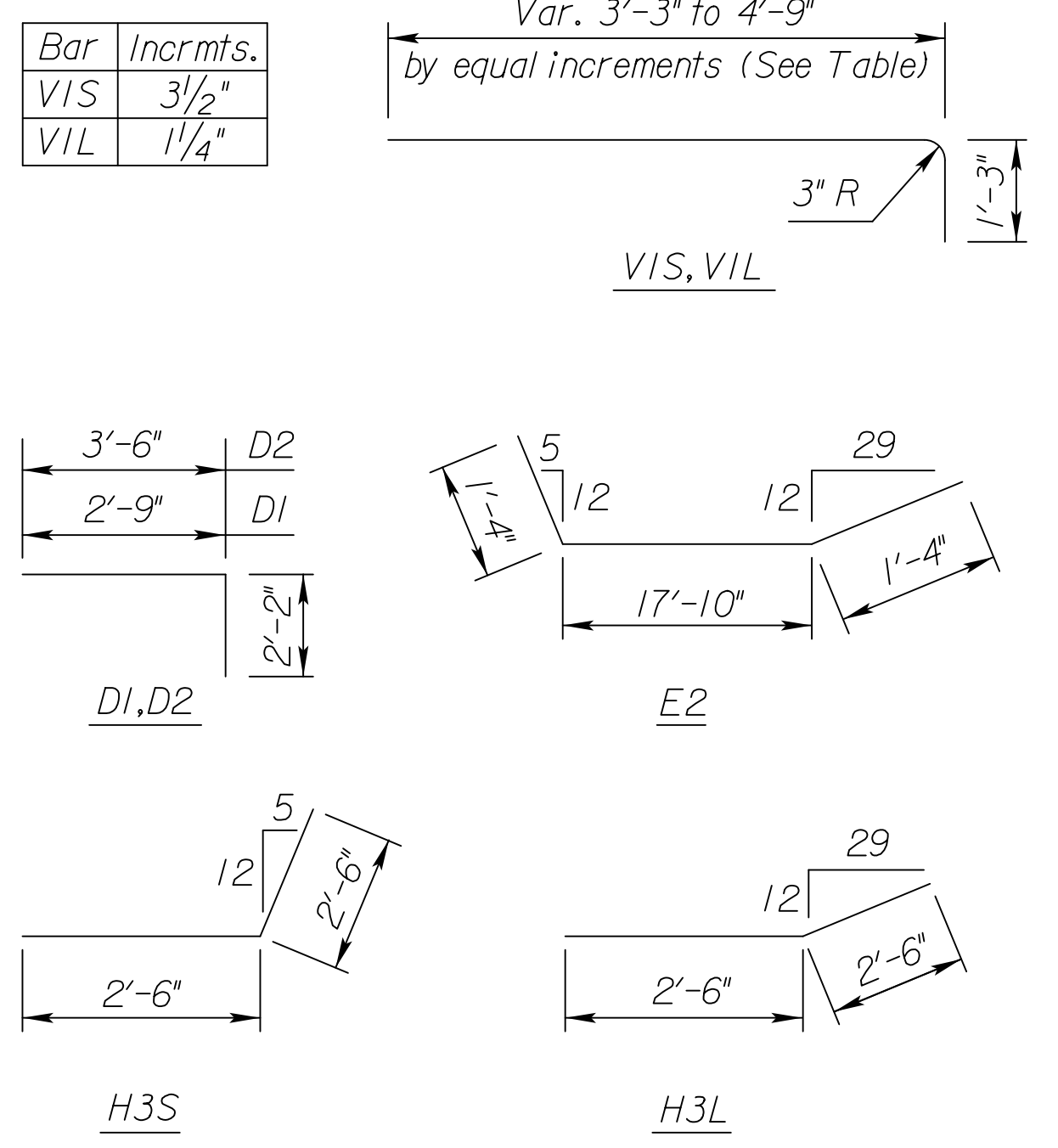
†† See RCB Details for location of construction joint.



NOTE:
EF = Each Face
NS = Near Side
FS = Far Side
CJ = Const. Joint



NOTE: Space weepholes to clear reinforcing steel. See "RCB Aux. Details" sheet for additional weephole details.



WING DIMENSIONS FOR 45° SKEWED BOX
(3 1/2:1 Embankment Slope)

Quantities listed below are included in the Summary of Quantities shown on the RCB details.

WINGWALL QUANTITIES (One End Only)		
	Foundation Stabilization (C.Y.)	Concrete (Gr. 4.0) (C.Y.)
Wingwalls	0.00	5.01
Apron	0.00	3.30
Soil Saver	0.00	0.00
Reinforcing Steel (Gr. 60)		414 Lbs.
Welded Wire Fabric		49 Lbs.

NO.	DATE	REVISIONS	BY	APP'D
KANSAS DEPARTMENT OF TRANSPORTATION				
Sta. 153+46				
FLARED WINGWALLS 3 ft Rise (45° SKEW)				
BR 10.45.03		Sedgwick Co.		
DESIGNED	APP'D	QUANTITIES	TRACED	
DESIGN CK.	DETAIL CK.	QUAN. CK.	TRACE CK.	

Plotted By: srb
 Plot Location:
 File: I:\2008\08207\Bridges\Ina\08207 - 2-6x3 skew 45 left RCB (Wing).dgn
 Plot Date: 8/19/2013

NOTE: Reinforcing Bar List is for both wings at one end of box only.

45° Skew	Mark	#4 C1S	#4 C1L	#4 DI	#4 E1S	#4 E1L	#4 C2	#4 D2	#4 E2	#4 VIS	#4 VIL	#4 HIS	#4 H1L	#4 H2S	#4 H2L	#4 H3S	#4 H3L	#4 H4S	#4 H4L
	Number	2	2	20*	3	3	1	14*	3*	6	15	2	2	1	1	6*	6*	3	3
	Length	7'-6"	18'-6"	4'-11"	4'-9"	14'-2"	18'-11"	5'-8"	20'-6"	*	*	4'-10"	13'-4"	6'-8"	16'-0"	5'-0"	5'-0"	2'-6"	4'-0"

* See Bending Diagram