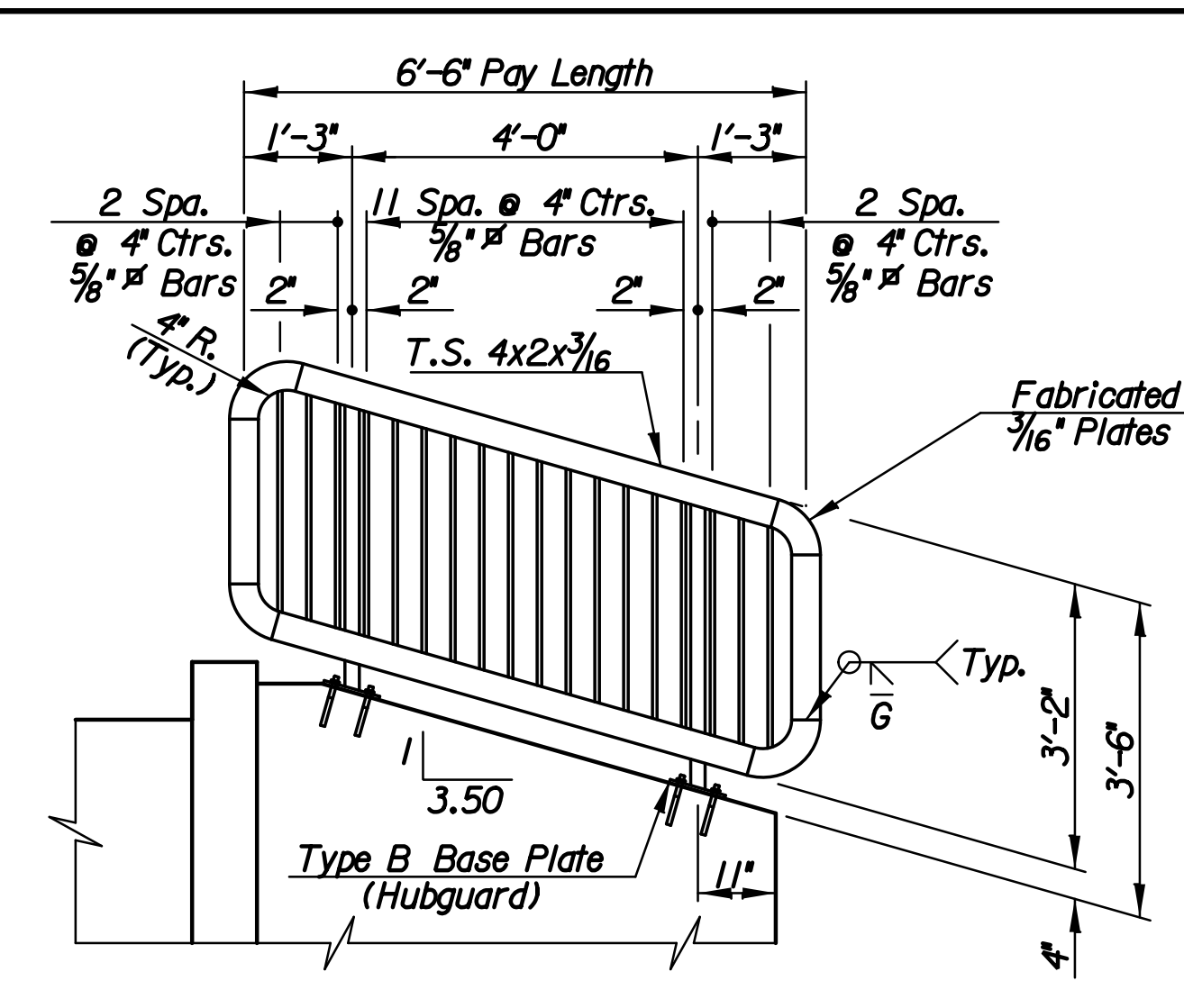
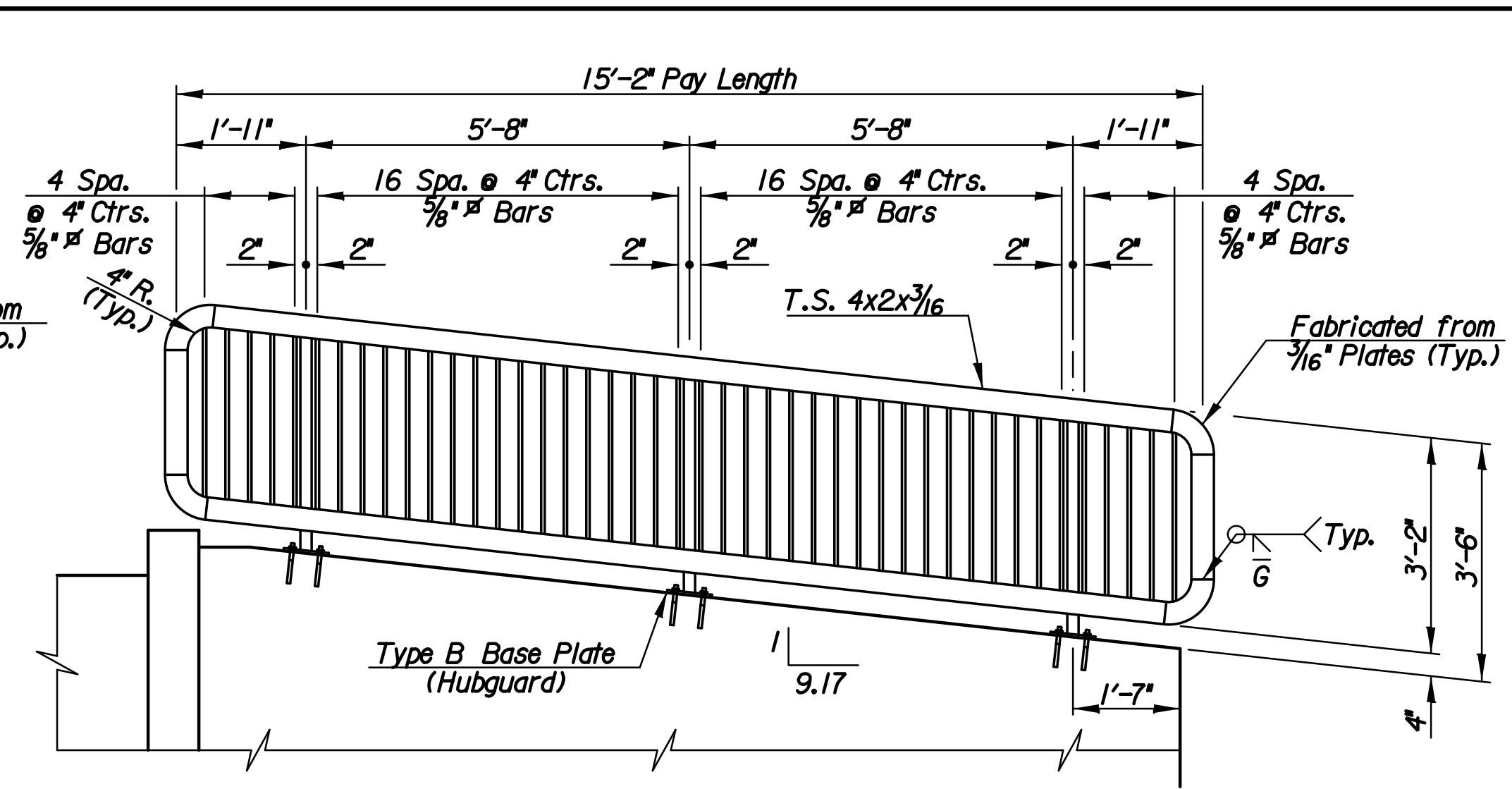


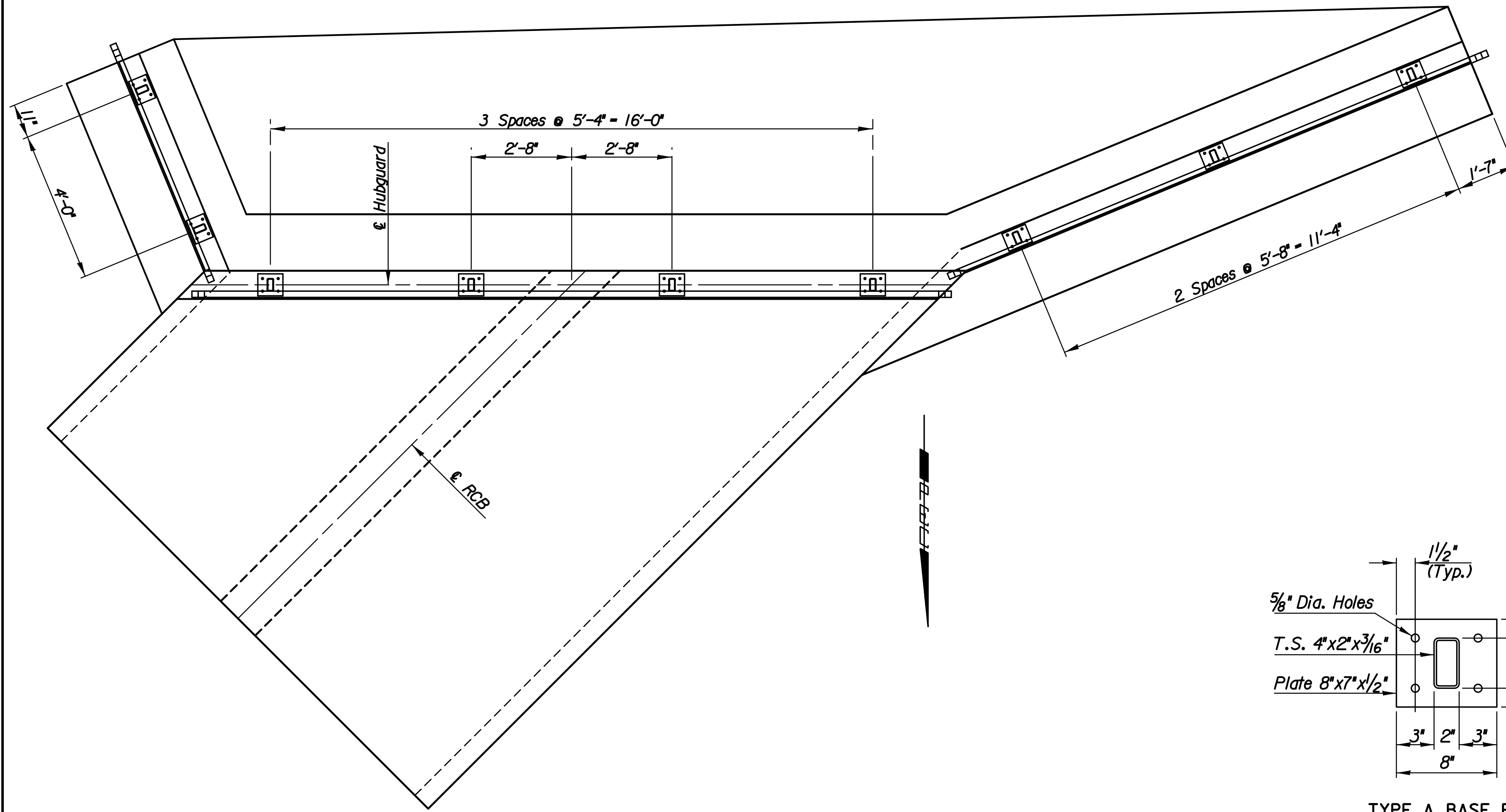
**TYPICAL RAIL ELEVATION AT HUBGUARD**  
(1 Required)  
Centered on Hubguard



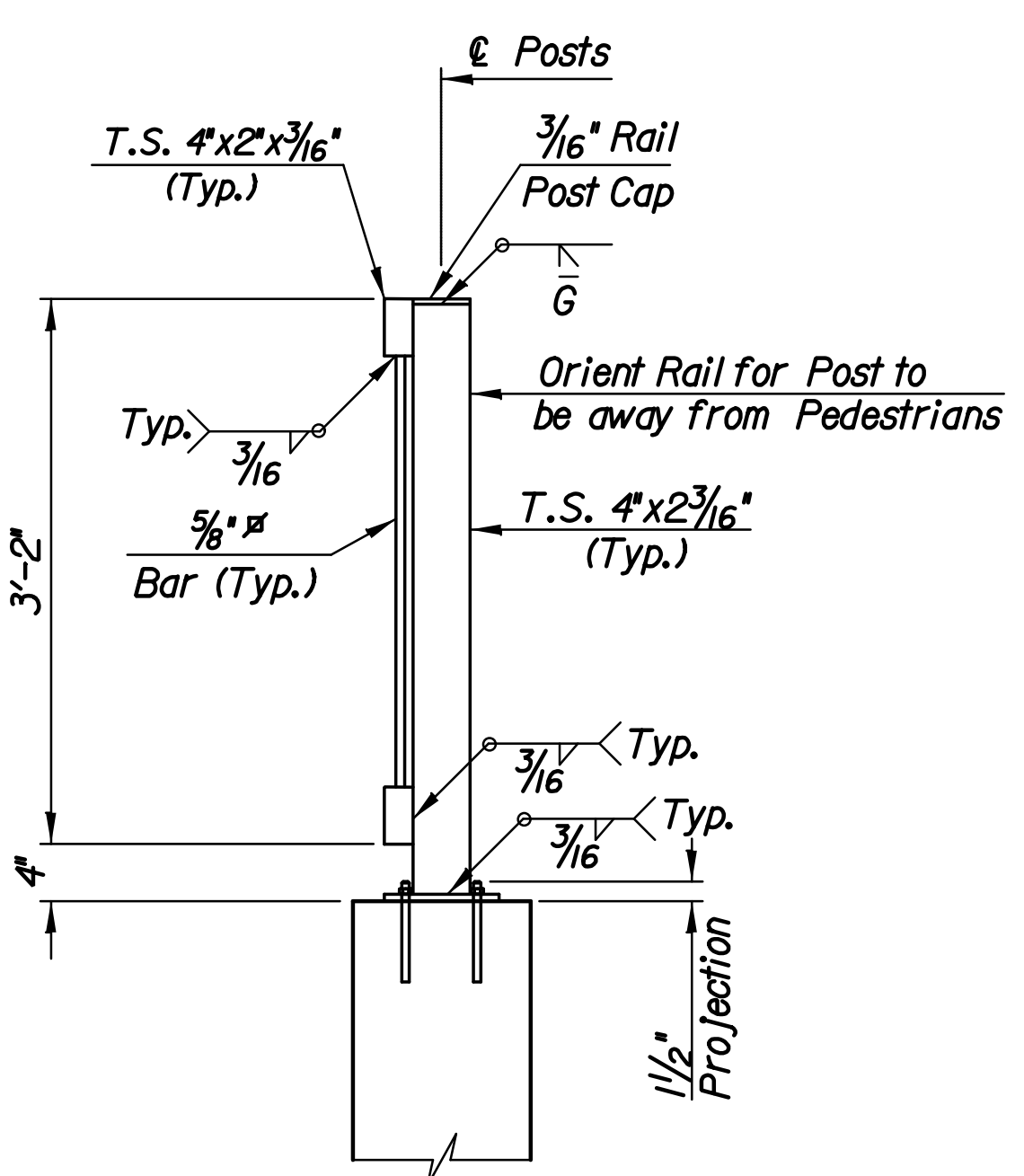
**TYPICAL RAIL ELEVATION AT HUBGUARD**  
(1 Required)



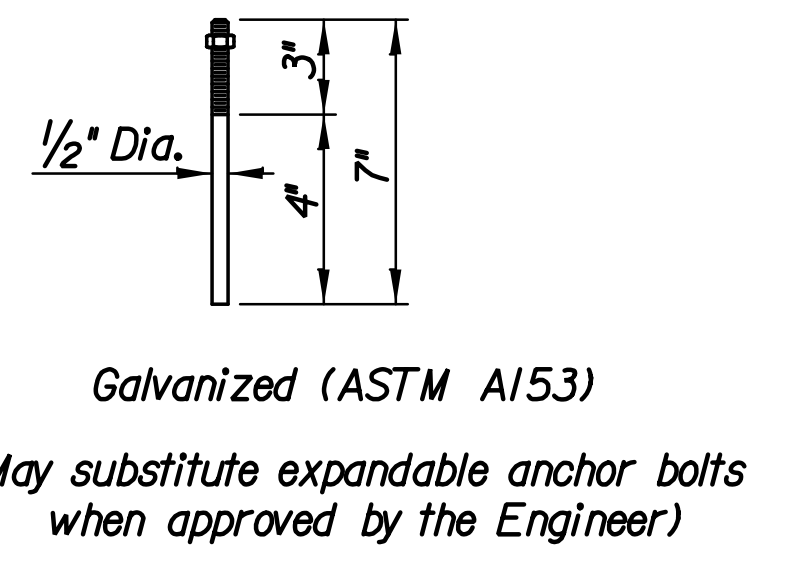
**TYPICAL RAIL ELEVATION AT HUBGUARD**  
(1 Required)



**HANDRAIL LAYOUT**



**TYPICAL POST**  
Center Posts on Hubguard or Wingwall

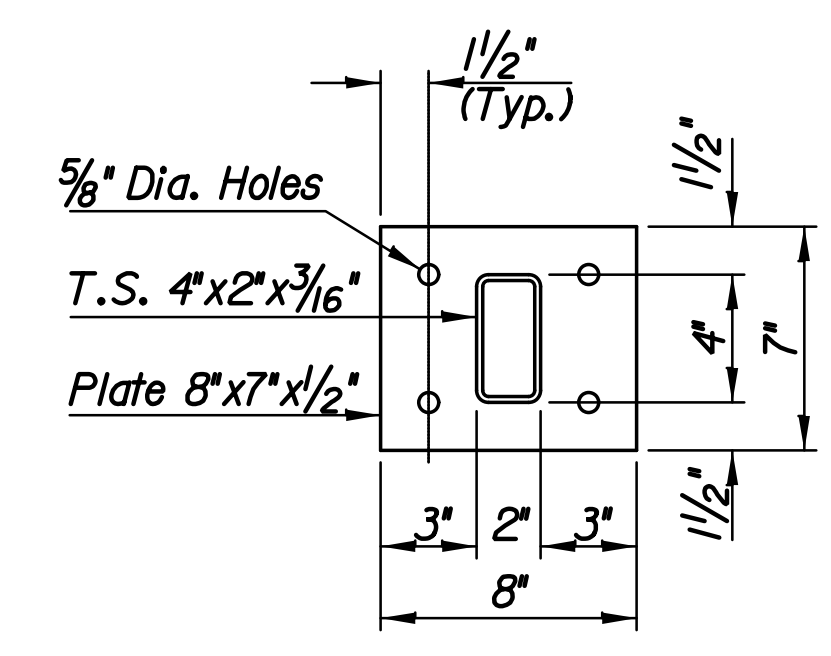


**ANCHOR BOLT**

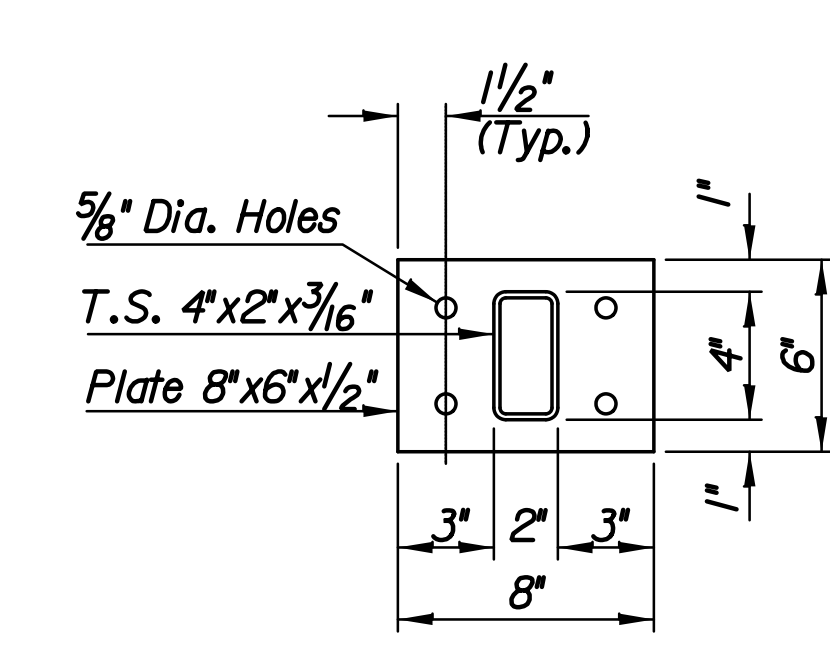
BILL OF MATERIALS	
Handrail (Steel) (Pedestrian)	41.5 L.F.

**GENERAL NOTES**

The horizontal members of the Rail and Posts shall be hollow structural tubing. All structural steel tubing shall comply to A.S.T.M. designation A36 or A500 Grade B respectively. Rail shall be fabricated in lengths as shown from joint to joint and joint to end. Post and Bars shall be set vertical and shimmed if required. Prior to painting abrasive blast to commercial finish SSPC-SP6 to obtain a surface profile of 1-1/2 Mills. The shop and field coats applied to structural steel shall conform to an inorganic Zinc Primer with water-borne Acrylic finish coat. (The finish coat shall match Carbolite #C900, Ebony Black). Provide a color sample to the Engineer with shop drawing submittal. Material and construction shall conform to the structural welding code A.W.S. D1.1-01. Shop details must be submitted and approved by the Engineer.



**TYPE A BASE PLATE**  
(4 Required)



**TYPE B BASE PLATE**  
(5 Required)

Plotted By: svb Date: 8/4/2013 5:54:22 PM  
FILE: I:\2008\0820\Bridg\Final\08207 - 2-6x3 Skewed HandrailDetails.dgn

No.	Revision	By	Date
37TH STREET NORTH			
<b>DOUBLE 6'X3' SKEWED RCB HANDRAIL DETAILS</b>			
GARY JANZEN, P.E.-CITY ENGINEER CITY OF WICHITA PROJECT NO. 472-84692			
<b>PEC</b> PROFESSIONAL ENGINEERING CONSULTANTS, P.A. 303 SOUTH TOPEKA WICHITA, KS 67202 316-262-2691 www.pec1.com			
Designed by	MLB	Job No.	08207
Drawn by	CP	Date	August, 2013
			Sh. 96 of 193