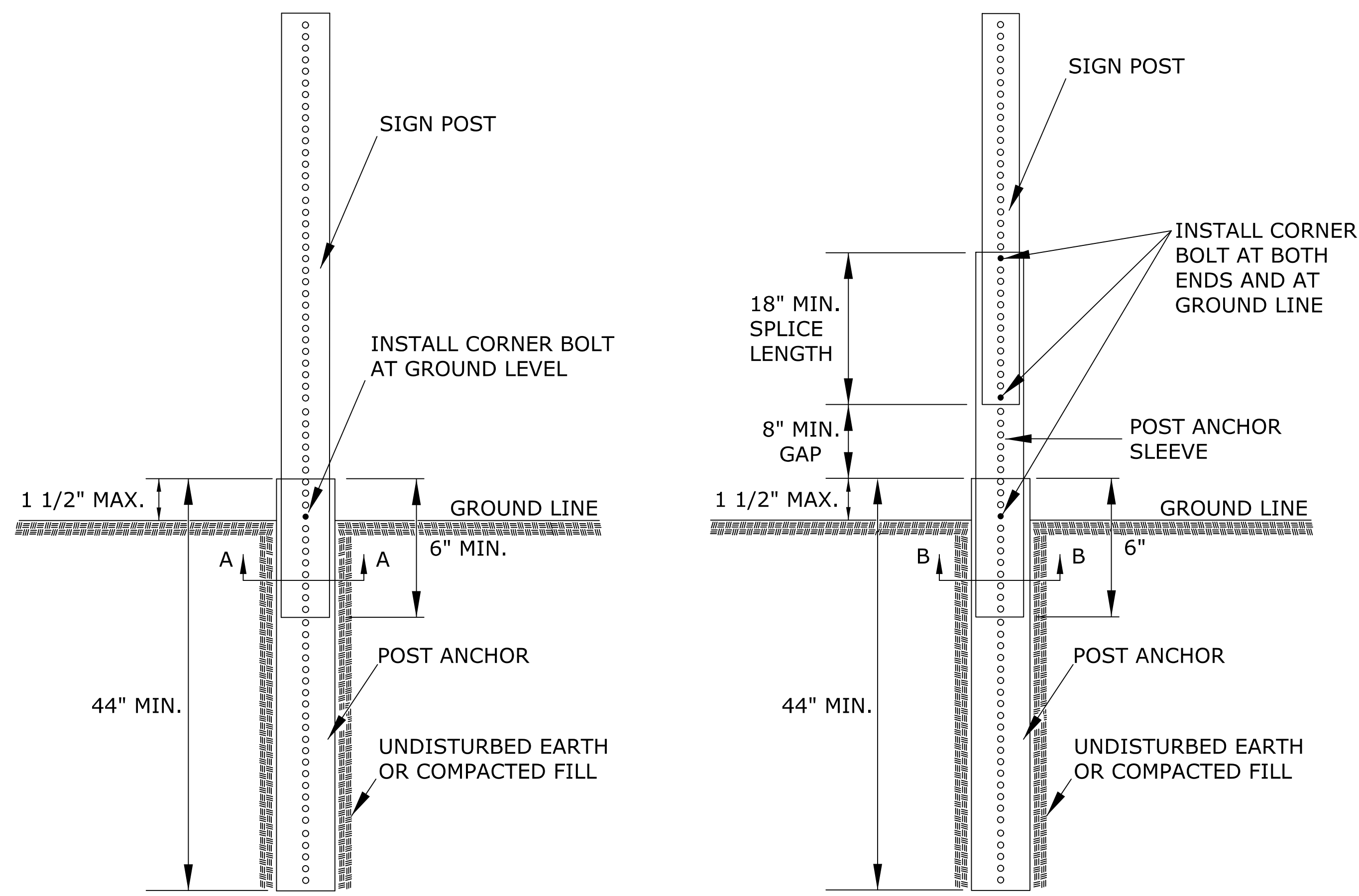
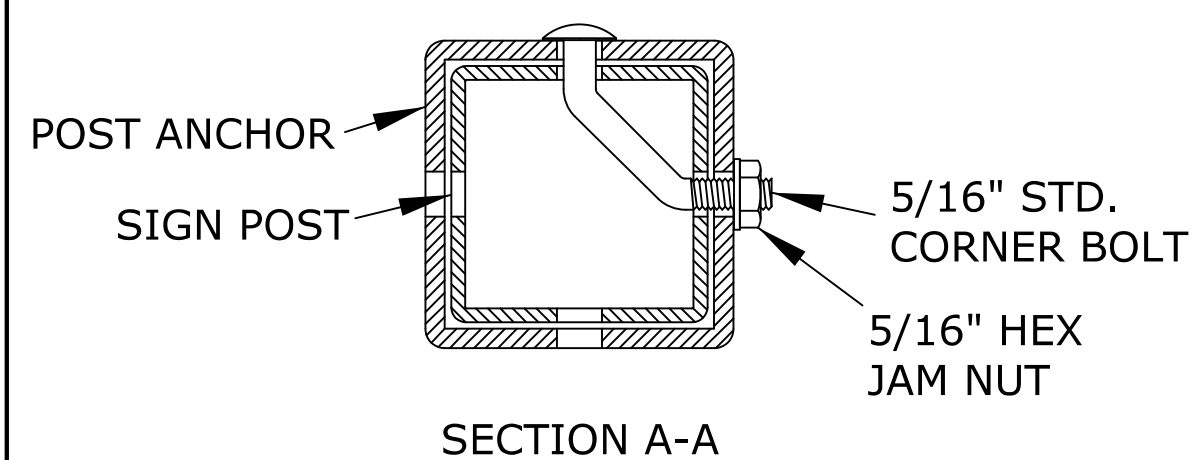


PERFORATED SQUARE STEEL TUBE (P.S.S.T.) POST SETUP

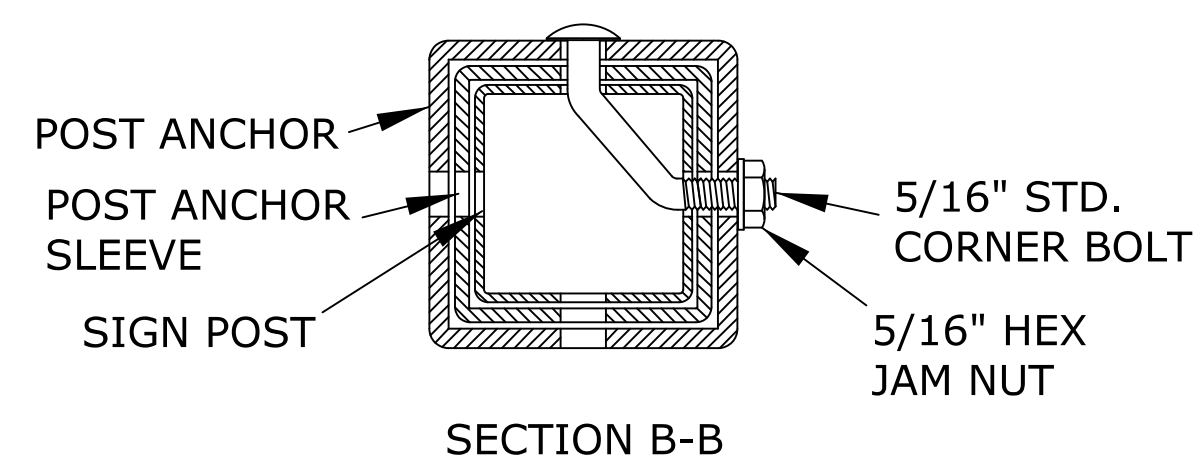


P.S.S.T. DETAIL

TELESCOPING P.S.S.T. DETAIL



SECTION A-A

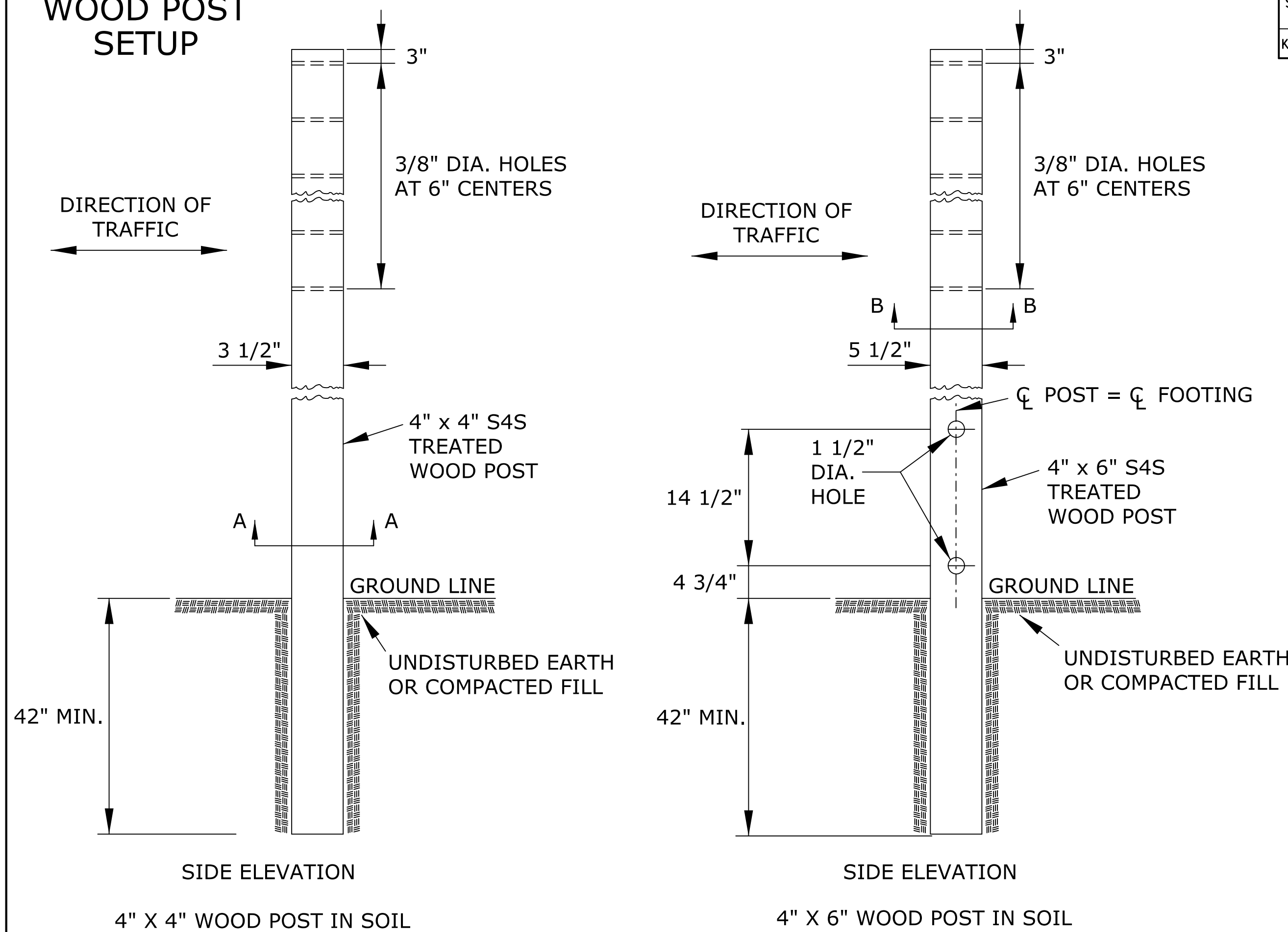


SECTION B-B

DETAILS FOR 2", 2 1/4", OR 2 1/2" SIGN POST

PLACE BOLTS IN THE SAME CORNER ALONG EACH SIGN POST.

WOOD POST SETUP

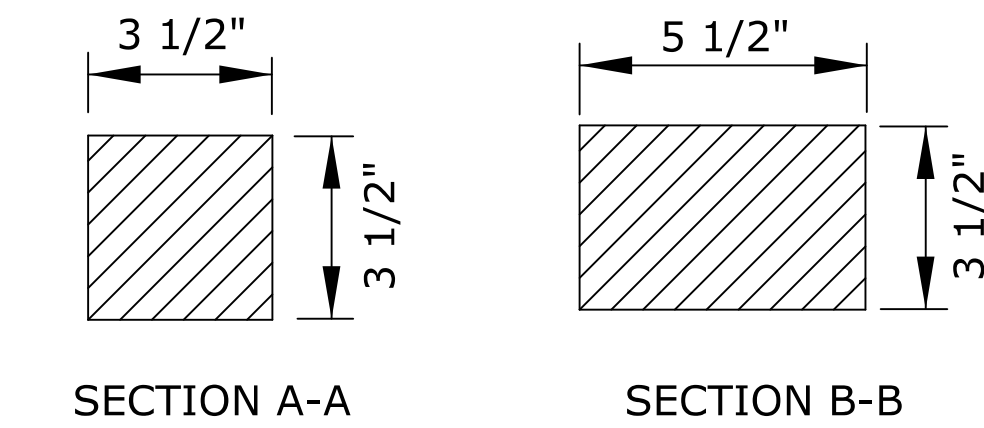


SIDE ELEVATION

4" X 4" WOOD POST IN SOIL

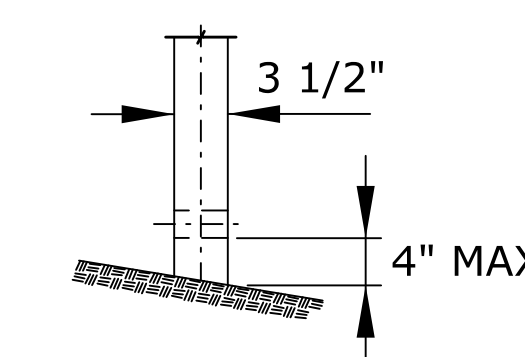
SIDE ELEVATION

4" X 6" WOOD POST IN SOIL



SECTION A-A

SECTION B-B



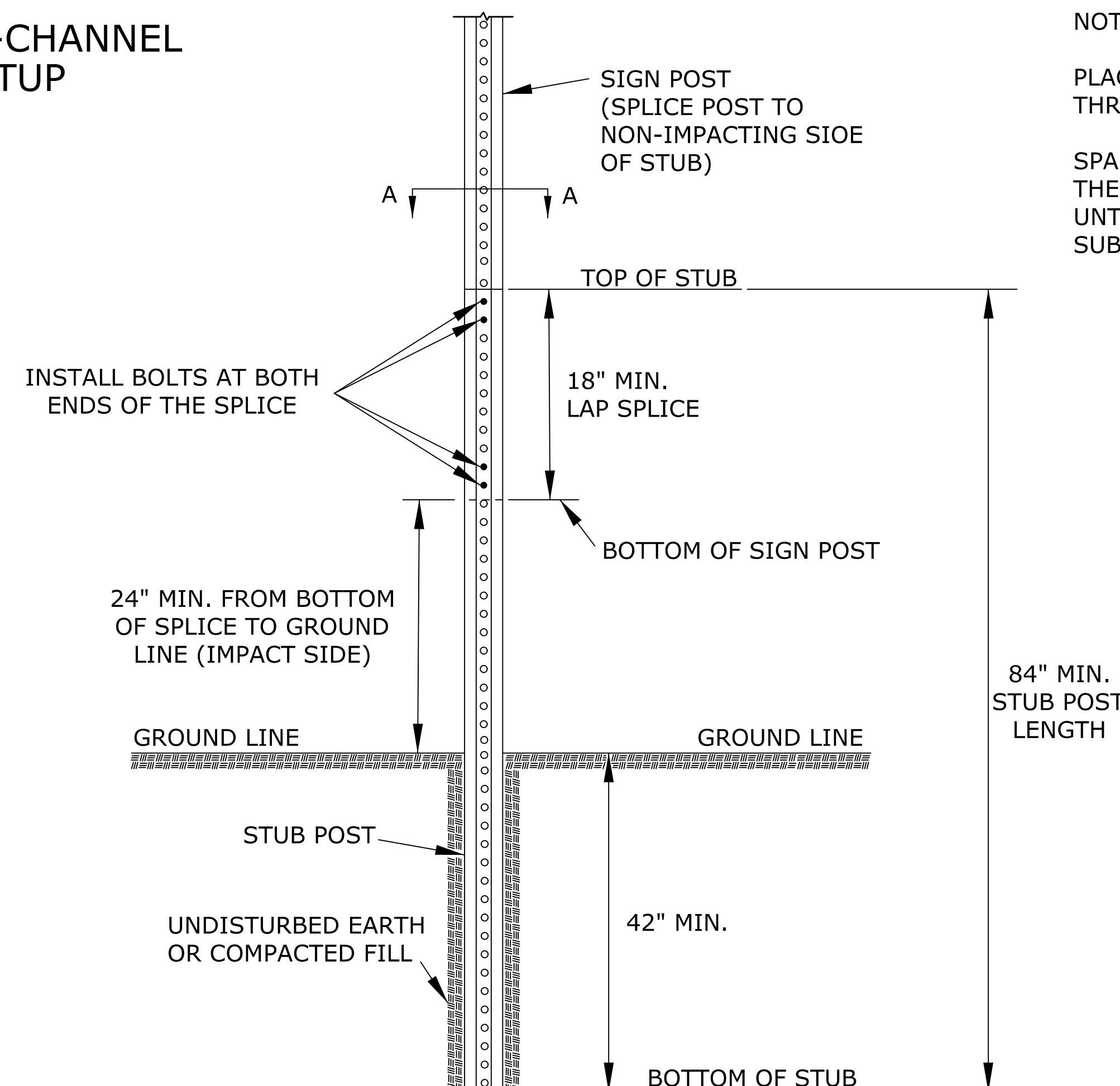
FRONT ELEVATION

NOTES:

ALL SIGN MOUNTING HOLES IN THE WOOD POSTS SHALL BE DRILLED PRIOR TO TREATING.

BREAKAWAY HOLES AND FIELD CUTS SHALL BE TREATED IN ACCORDANCE WITH THE PRESERVATIVE TREATMENT SPECIFICATIONS.

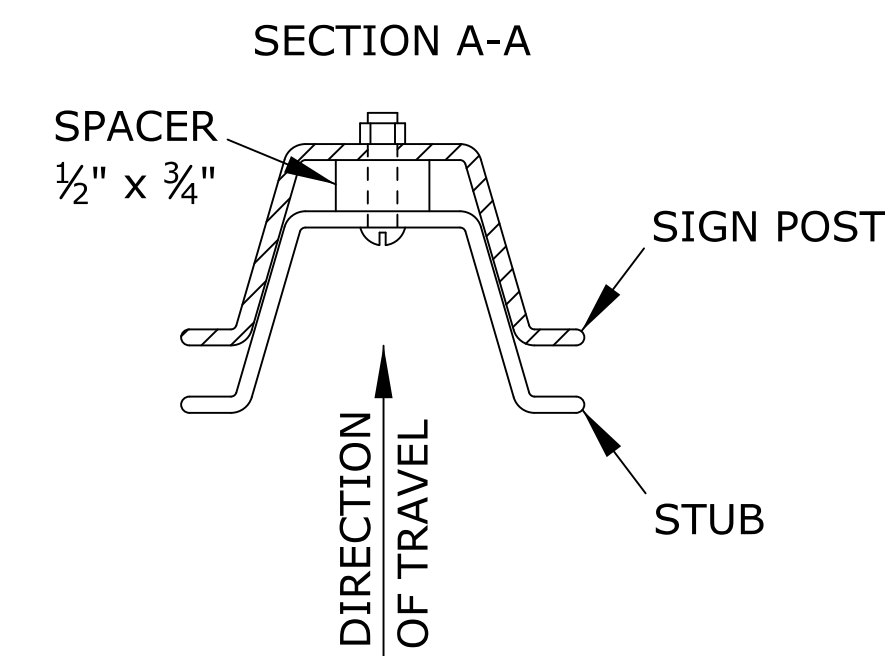
3 LB/F U-CHANNEL SETUP



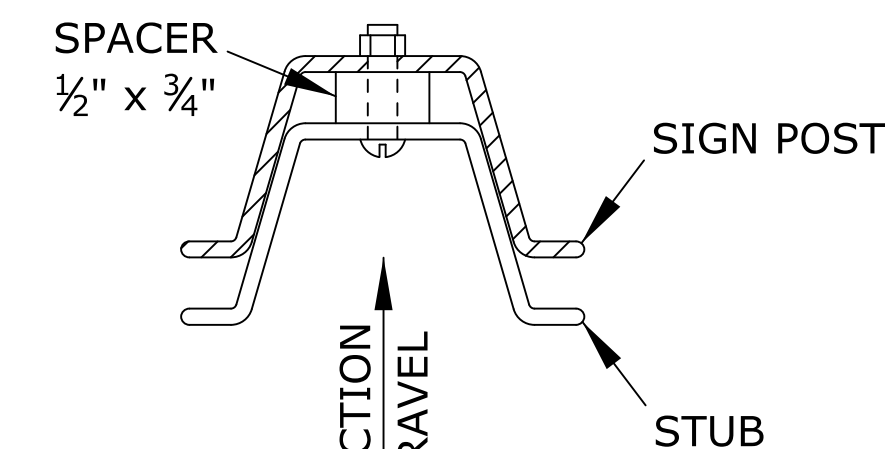
NOTES:

PLACE TWO BOLTS AT BOTH ENDS OF THE SPLICE THROUGH THE HOLES NEAREST THE ENDS OF THE SPLICE.

SPACERS WILL BE USED OVER THE BOLTS BETWEEN THE SPLICED PIECES OF U-CHANNEL. THREADED OR UNTHREADED SPACERS MAY BE USED. DO NOT SUBSTITUTE PIPE OR OTHER "ITEMS" FOR THE SPACERS.



SECTION A-A



NO.	DATE	REVISIONS	BY	APP'D
3	10/16/12	Added Spacer Dimension, Removed PSST Note	J.A.M.	K.P.
2	10/4/11	Removed Washer On PSST Detail	J.A.M.	K.P.
1	6/1/10	Modified Post Anchor Sleeve Dimension	J.A.M.	A.A.A.

KANSAS DEPARTMENT OF TRANSPORTATION				
APPROVED TEMPORARY POST SETUPS				
TE712				
DESIGNED	B.A.H.	DETAILED	B.A.H.	QUANTITIES
DESIGN CK.	DETAIL CK.	QUAN. CK.	TRACED	TRACE CK.