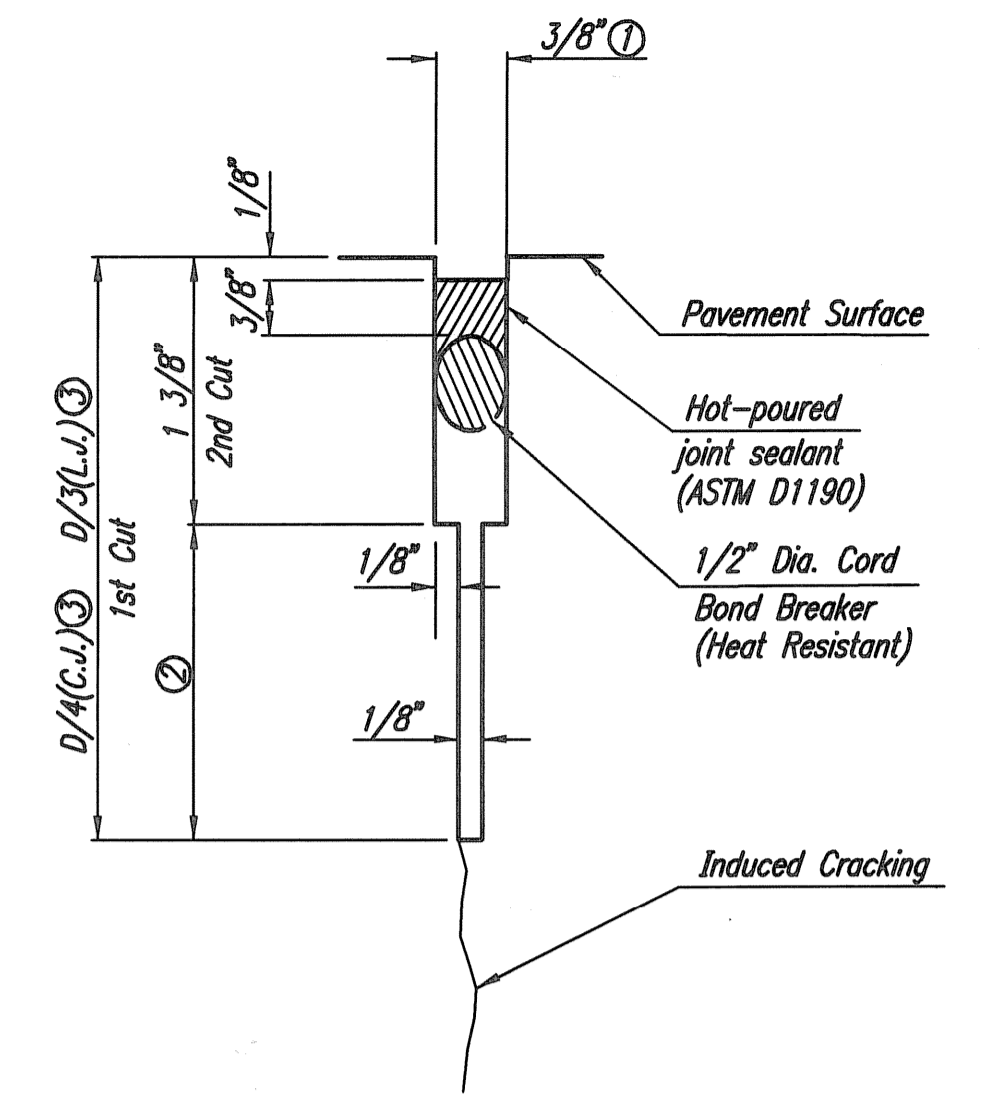
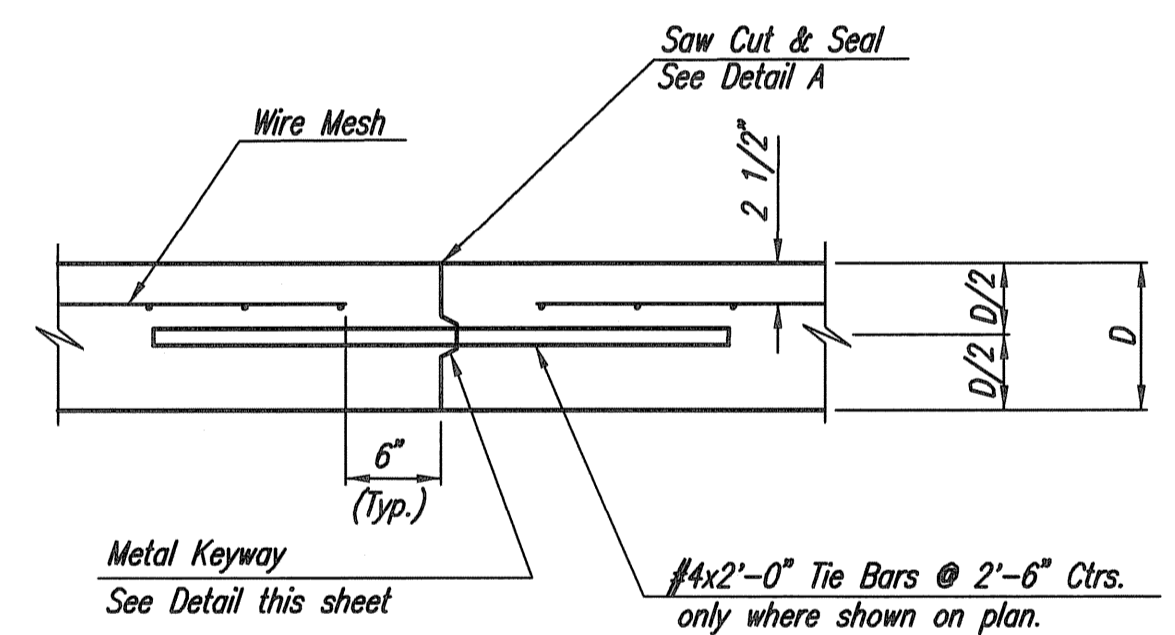


WING REINFORCING DETAIL
NOTE: OMIT WIRE FABRIC REINFORCING IN THIS SECTION.

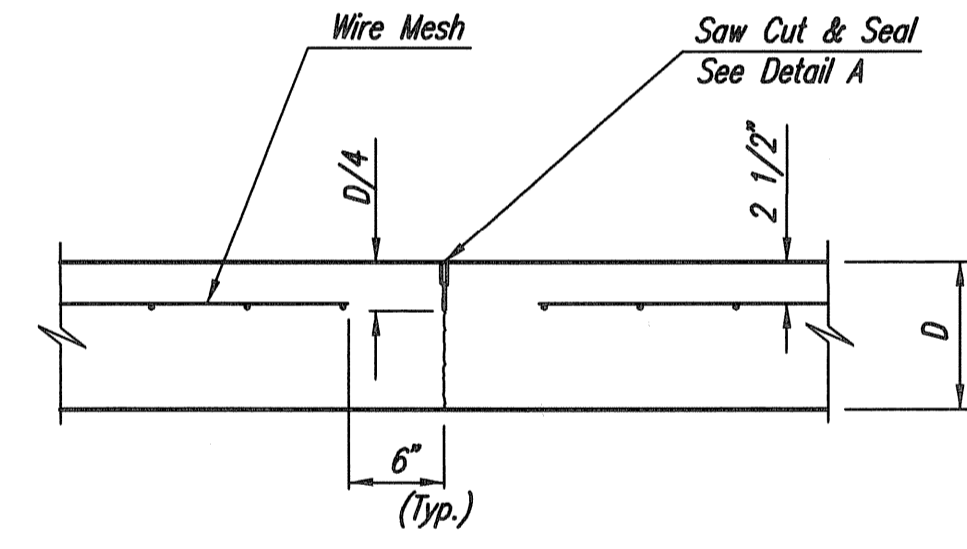


DETAIL A

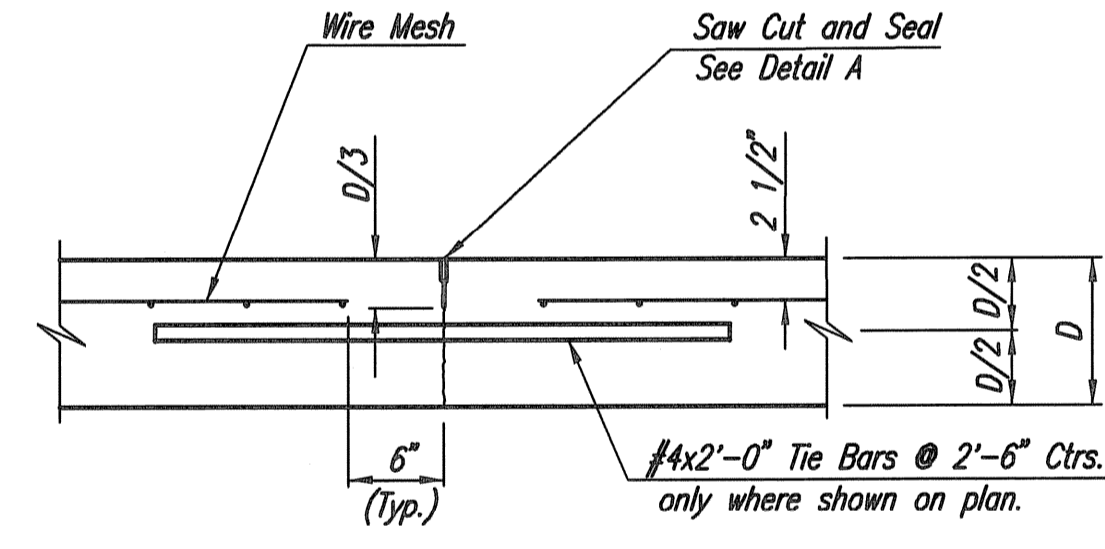
- ① To be accomplished in 2 cuts for Longitudinal Joints and Contraction Joints. Initial cut to be 1/8" wide.
- ② Eliminate bottom of cut when metal keyway is used as part of Longitudinal or Transverse Construction Joint and at Doweled Construction Joint Locations.
- ③ 1 1/2" Minimum



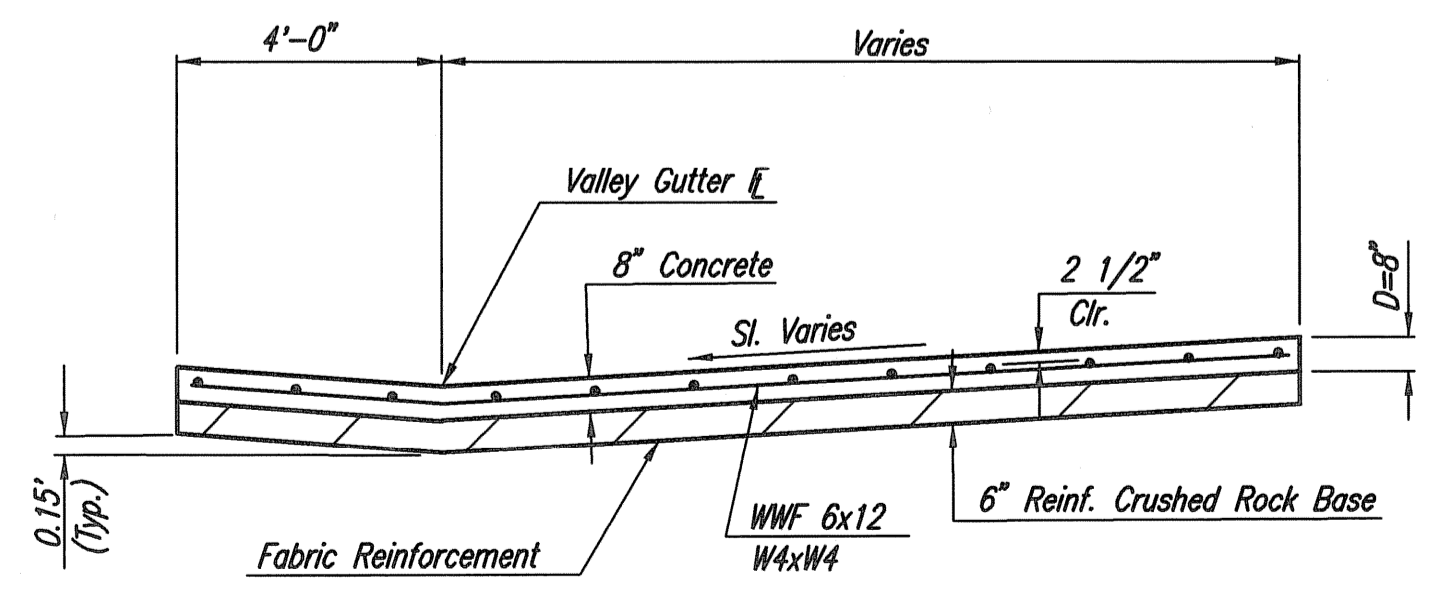
**LONGITUDINAL CONSTRUCTION JOINT DETAIL
REINFORCED PAVEMENT
(TRANSVERSE SECTION)
(ALTERNATE L.J.)**



**CONTRACTION JOINT DETAIL
REINFORCED PAVEMENT
(C.J.)**

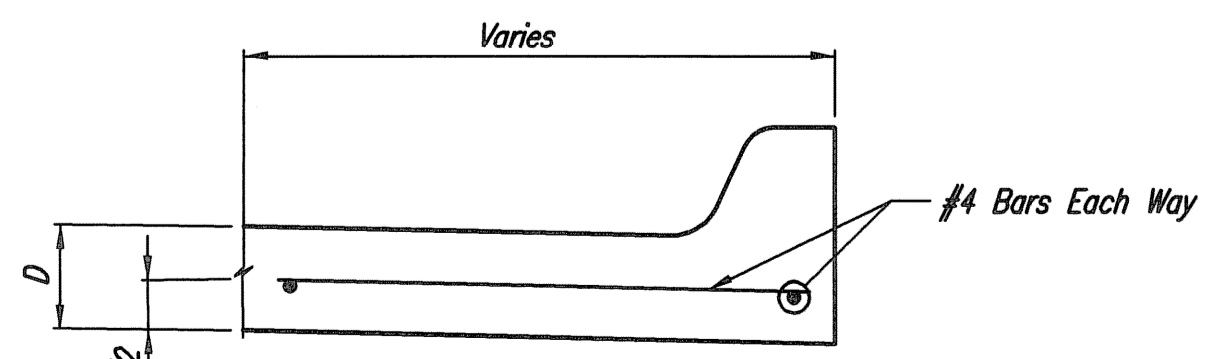


**LONGITUDINAL JOINT DETAIL
REINFORCED PAVEMENT
(TRANSVERSE SECTION)
(L.J.)**

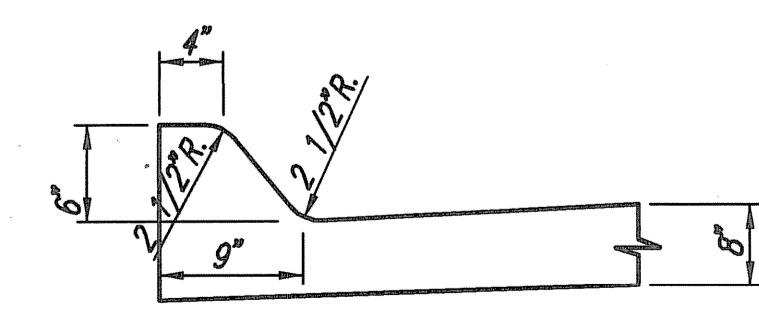


SECTION A-A

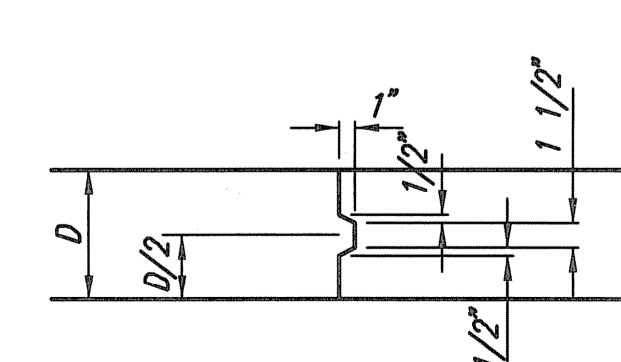
NOTE: OMIT REINFORCING MESH AT ALL JOINTS
NOTE: ALL CONCRETE VALLEY GUTTER REINFORCEMENT SHALL BE ADEQUATELY SUPPORTED BY BAR CHAIRS IN THE REQUIRED POSITION UNLESS APPROVED OTHERWISE BY THE ENGINEER.



SECTION B-B



**DETAIL B
MONOLITHIC EDGE CURB**



KEYWAY DETAIL

SEE SHEET NO. 14 FOR VALLEY GUTTER PLANS.

No.		Revision		By		Date	
MAIZE ROAD PAVING AND DRAINAGE IMPROVEMENTS LOT 1, BLOCK 1 NEWMARKET V ADDITION VALLEY GUTTER DETAILS GARY JANZEN, P.E.—CITY ENGINEER CITY OF WICHITA PROJECT NO. 472-84607							
		PROFESSIONAL ENGINEERING CONSULTANTS, P.A. 303 SOUTH TOPEKA WICHITA, KS 67202 316-262-2691 www.pec1.com					
Designed by CSB		Job No. 35-12568-000/001		Date September 2013		Sht. 15 of 65	
Drawn by BJS							

Saved 12-04-2013 4:06:47 PM by BJS
 Plot Scale 1:10 12-17-2013 2:30:26 PM by BILL SEKSON
 G:\2012\12568\000_001\2568-001-15C-VALLEY GUTTER DETAILS