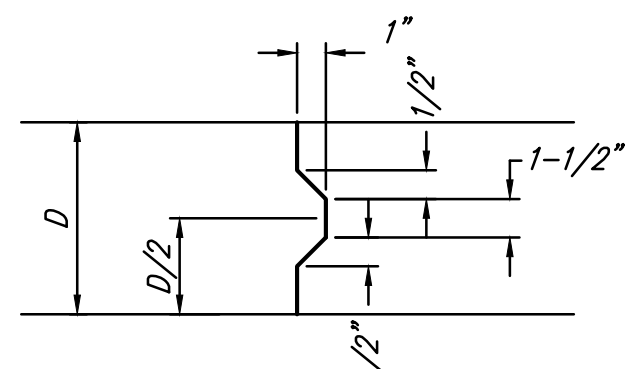
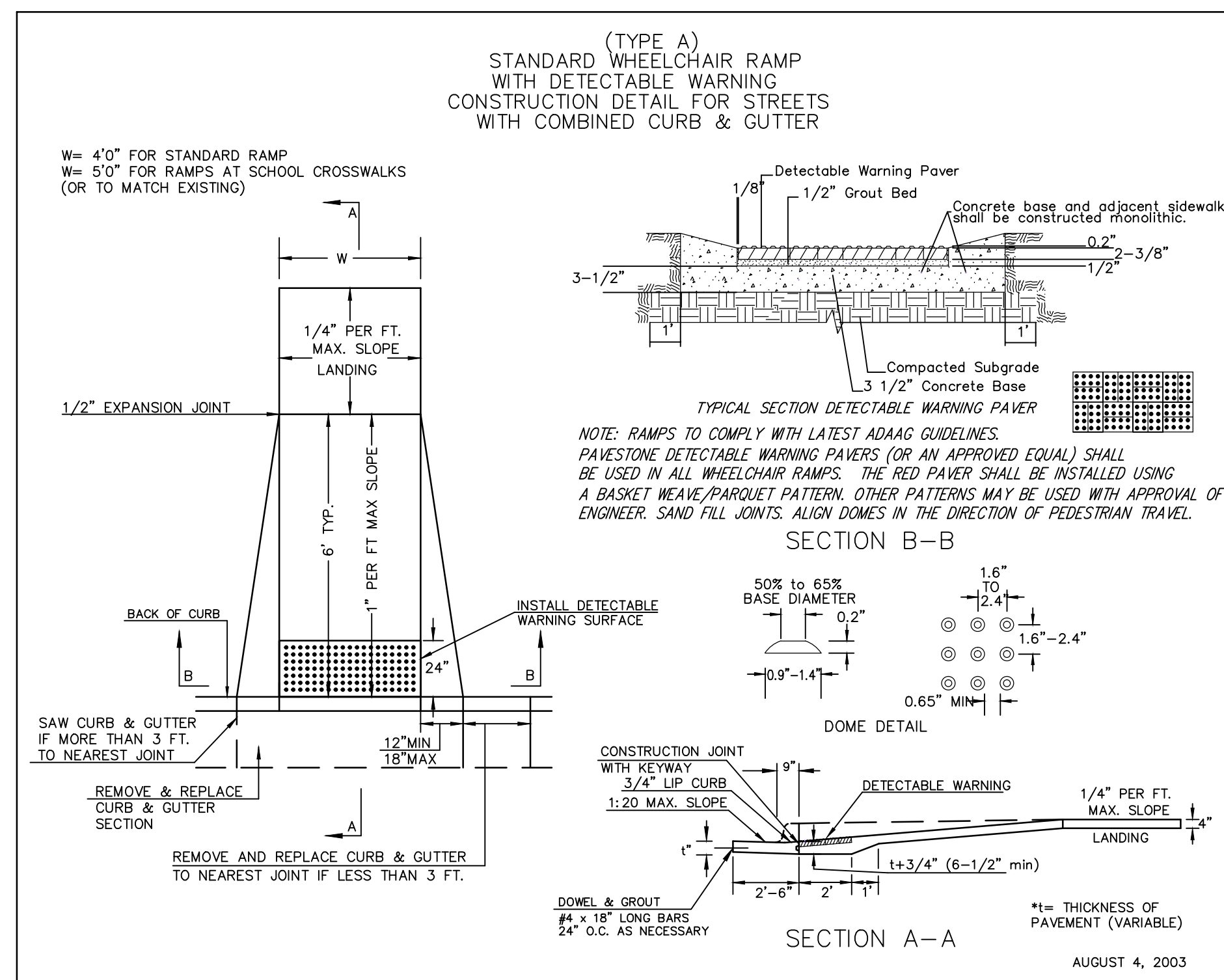


**EXPANSION JOINT**

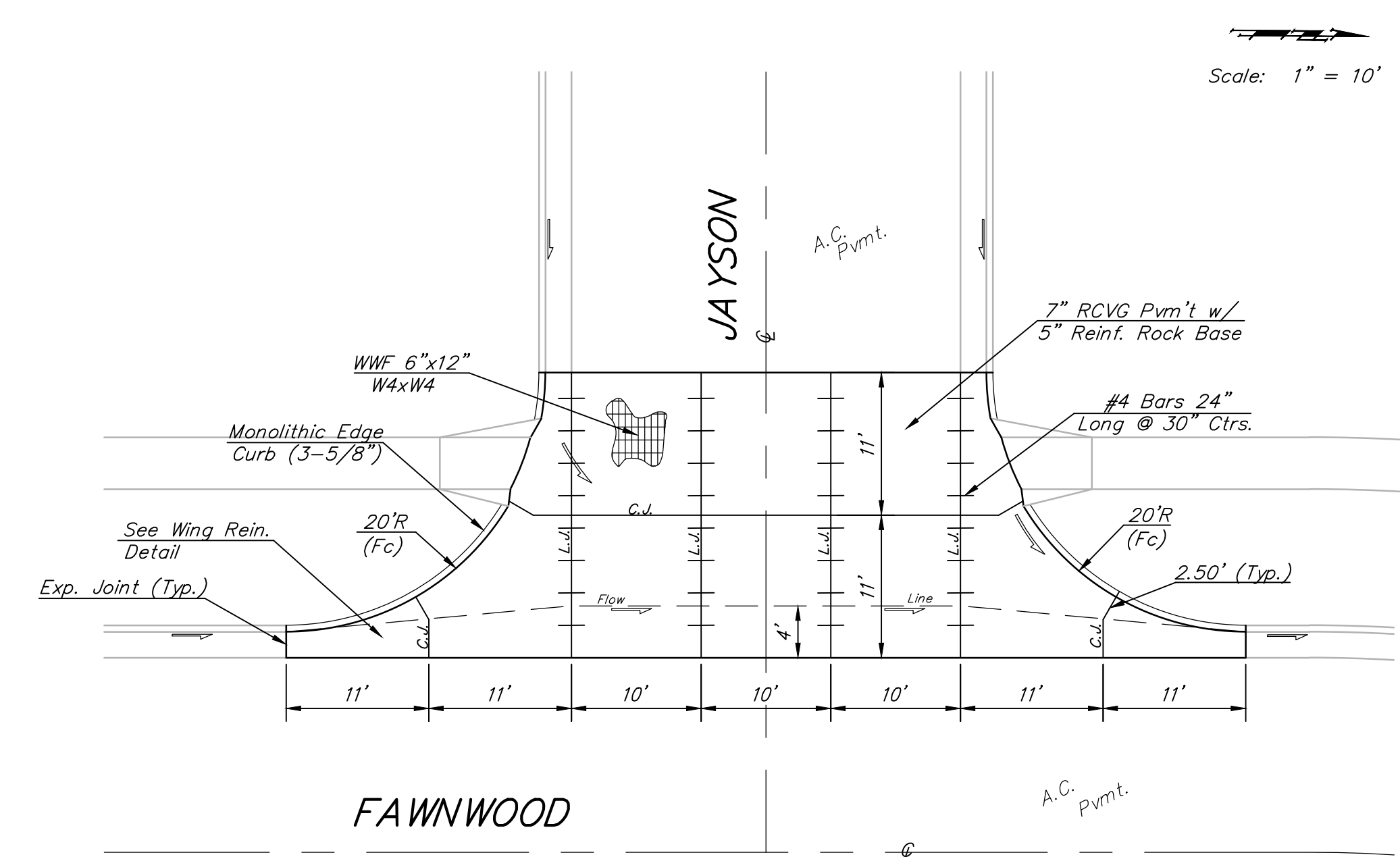
NOTE: Extra Thickness to be Subsidiary to Price of Square Yards Pavement



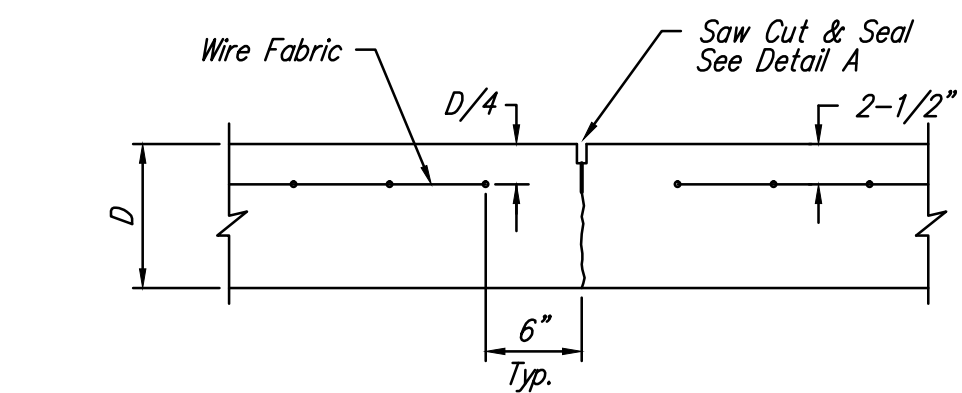
**KEYWAY DETAIL**



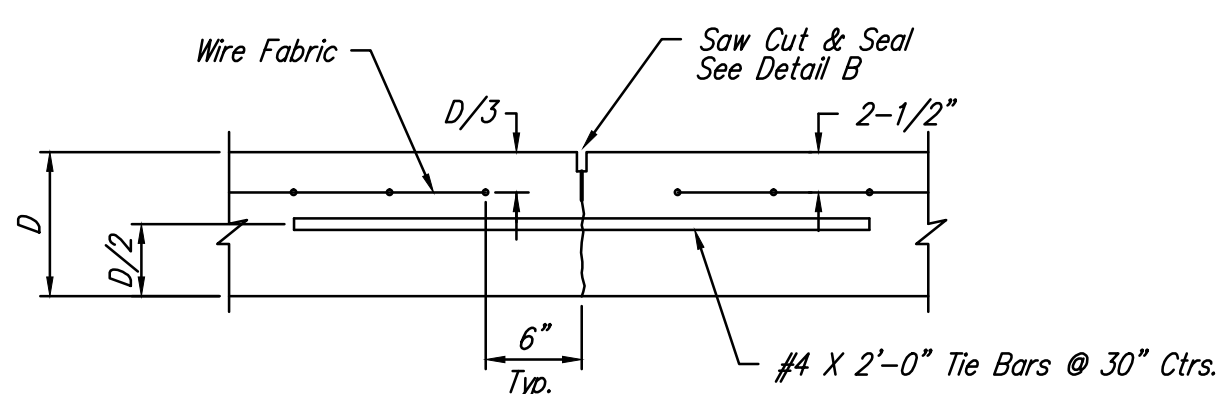
**WHEELCHAIR RAMP DETAIL**



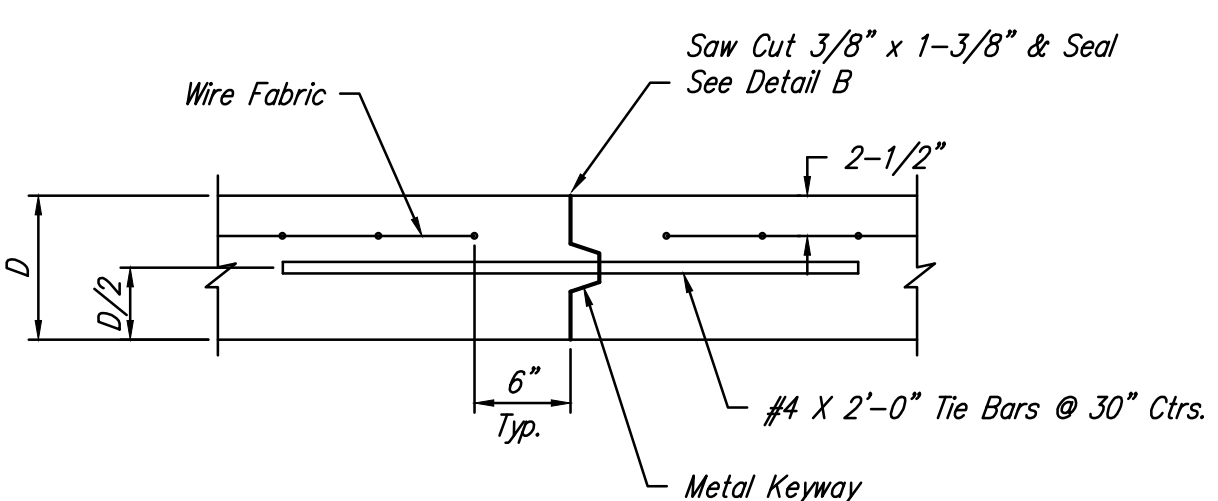
Scale: 1" = 10'



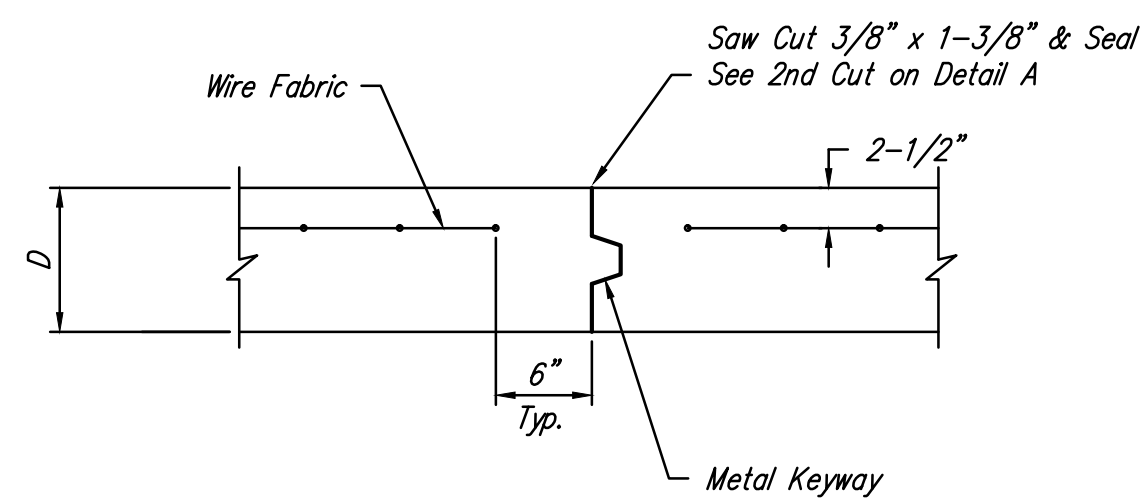
**CONTRACTION JOINT DETAIL (C.J.)**



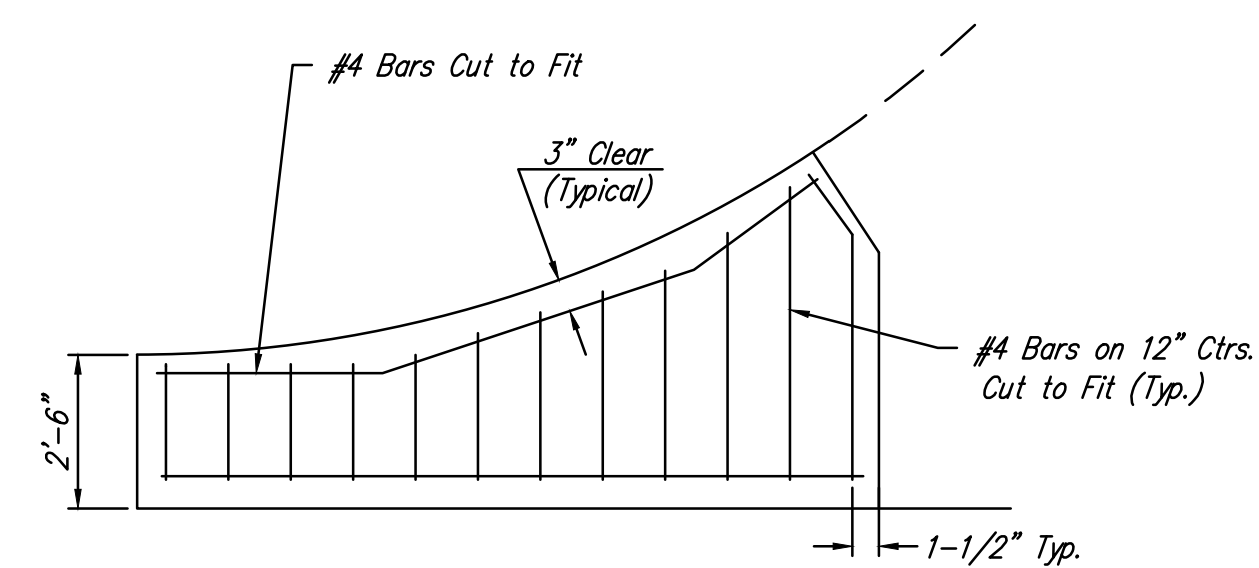
**LONGITUDINAL JOINT DETAIL (L.J.)**



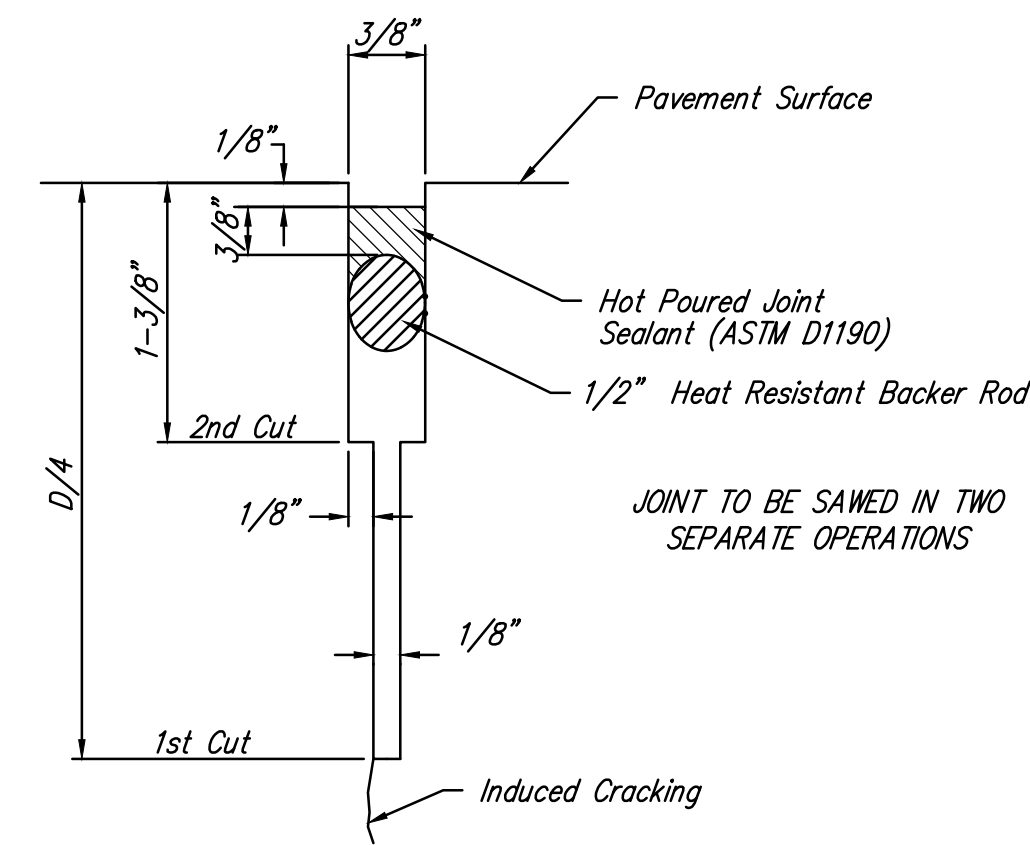
**OPTIONAL LONGITUDINAL JOINT DETAIL (L.J.) (CONSTRUCTION JOINT)**



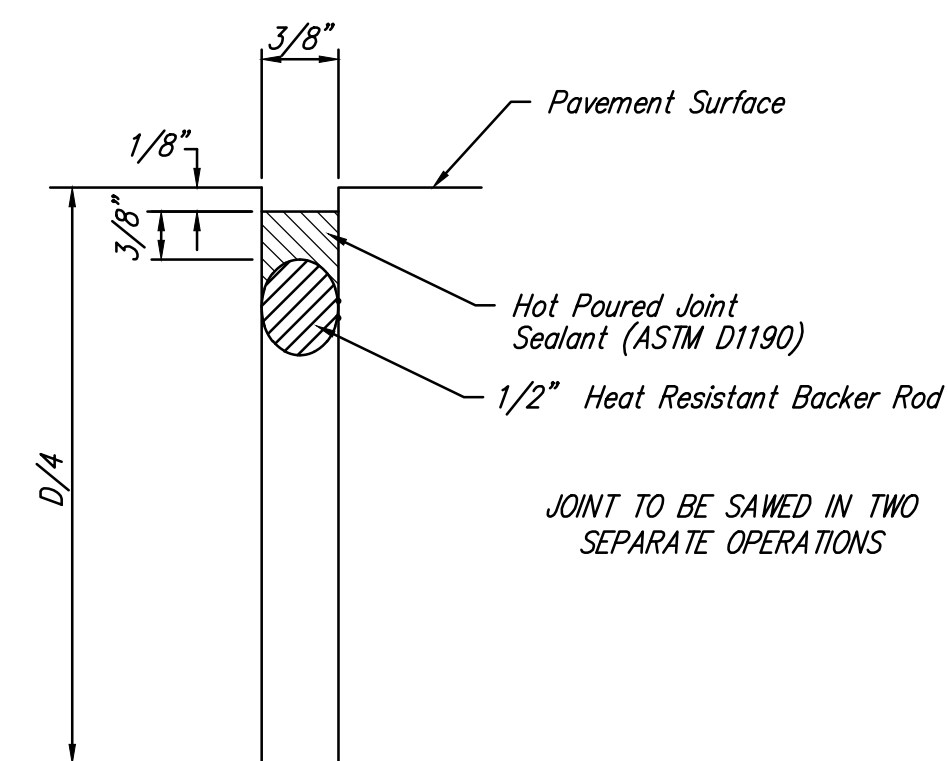
**OPTIONAL CONTRACTION JOINT (CONSTRUCTION JOINT)**



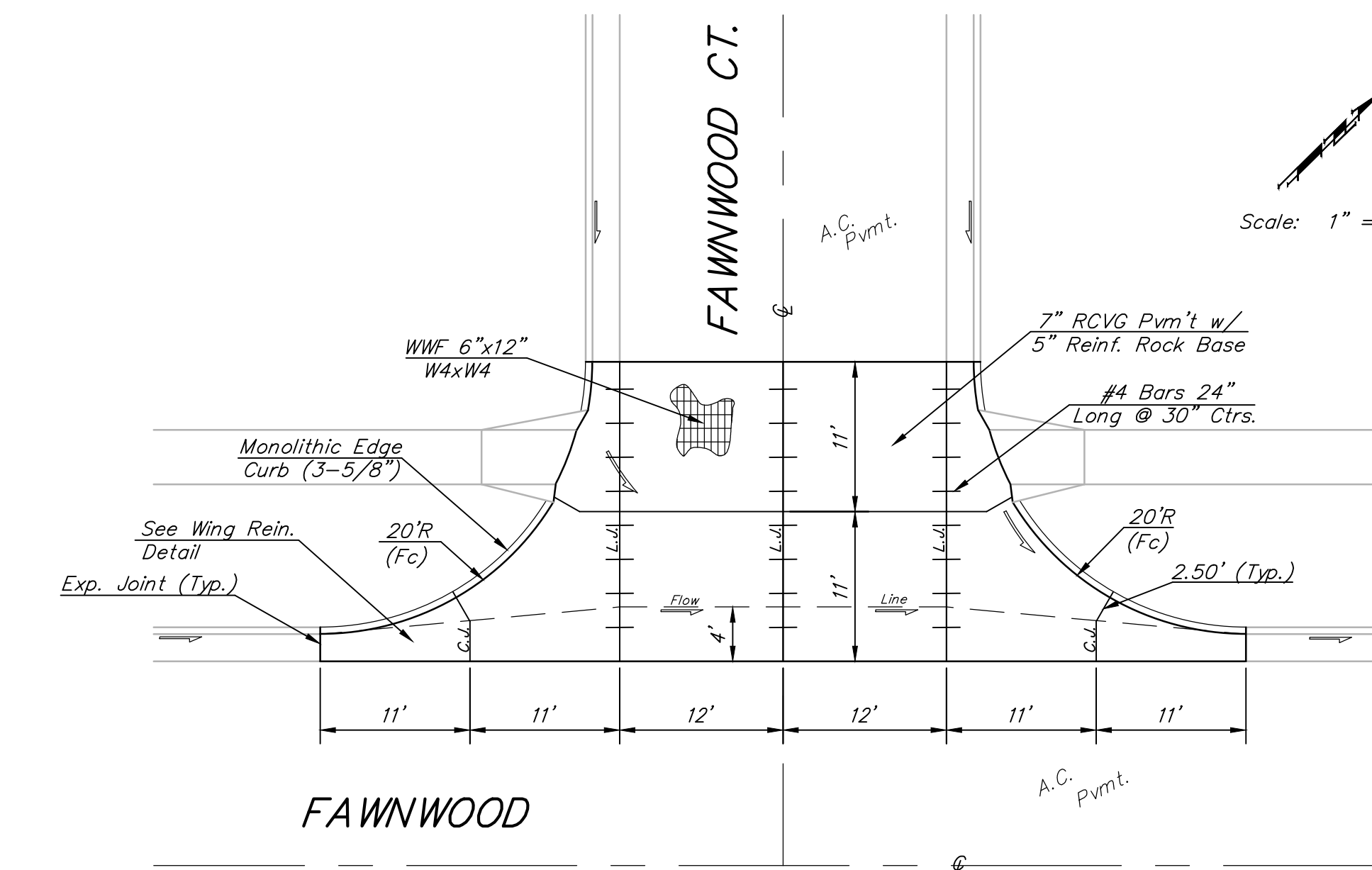
**WING REINFORCING DETAIL**



**SAW JOINT DETAIL "A"**



**SAW JOINT DETAIL "B"**



Scale: 1" = 10'

NOTE: 6" X 12" W4XW4 wire fabric reinforcing shall be placed so that the wires with the 6" spacing will run parallel with the longitudinal joints.

	THE WOODS ADDITION - PHASE 4	
	VALLEY GUTTER DETAILS	
Baughman Company, P.A. 315 Ellis St., Wichita, KS 67211 P 316-262-7271 F 316-262-0149 ENGINEERING   SURVEYING   PLANNING   LANDSCAPE ARCHITECTURE		
PROJECT NUMBER 472-84948	DESIGN AEG	DRAWN JAK
REVISIONS:	APPROVED	DATE 8/08/13
	SCALE 1" = 20'	SHEET 6 OF 33
E:\Projects\The Woods Addition\Phase 4\Str. 13-05-E909\Street Plans.dwg		