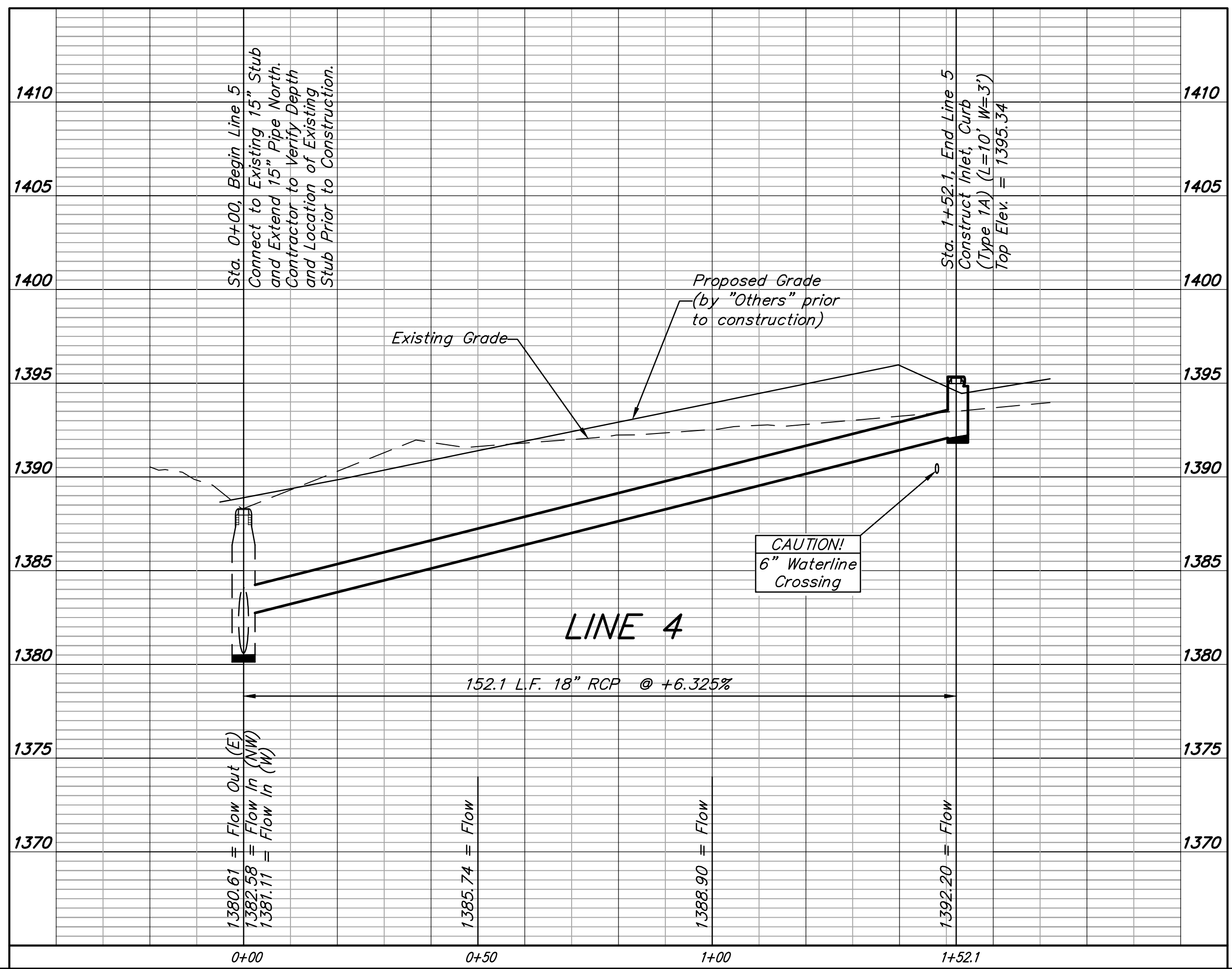
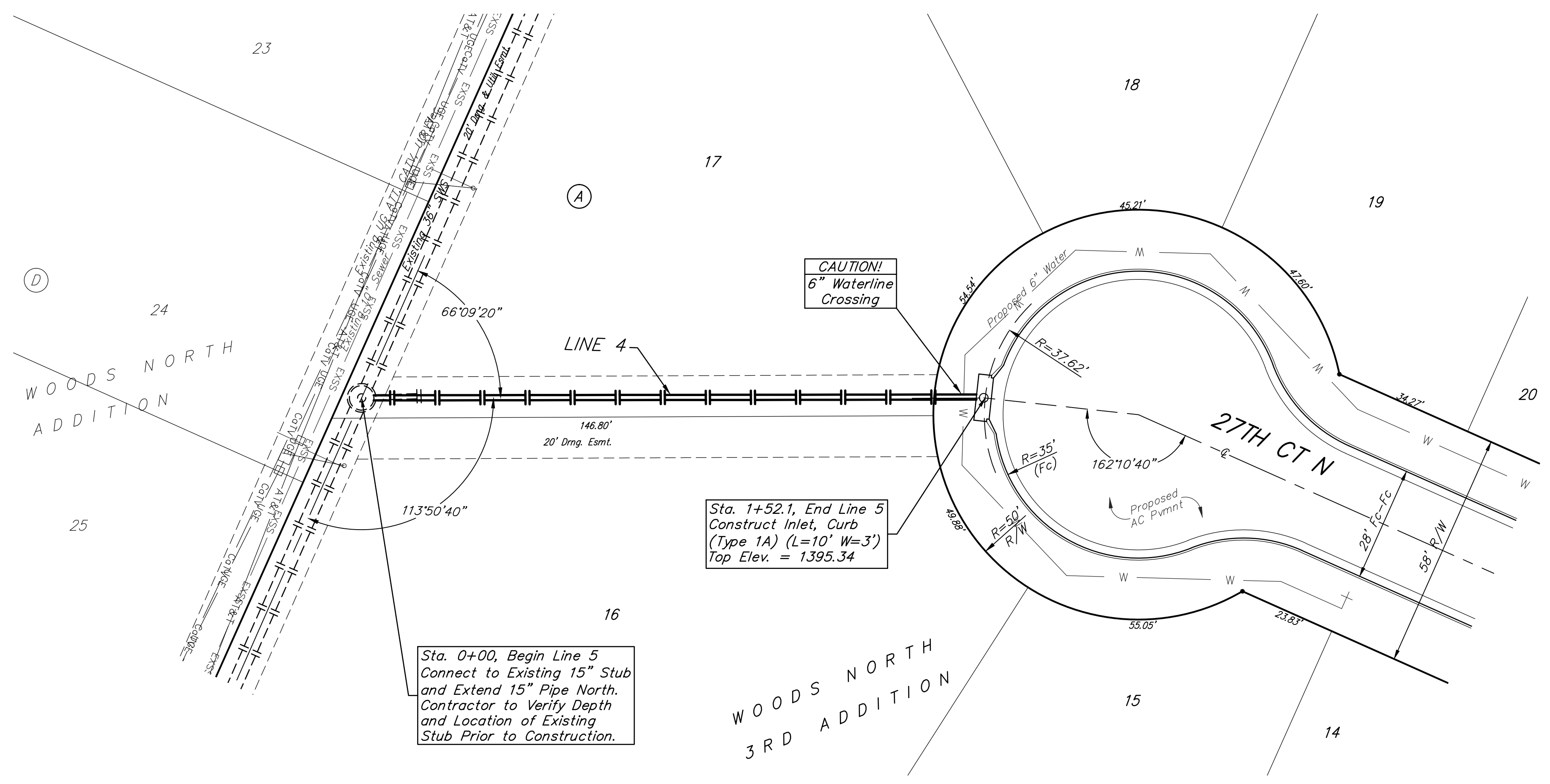
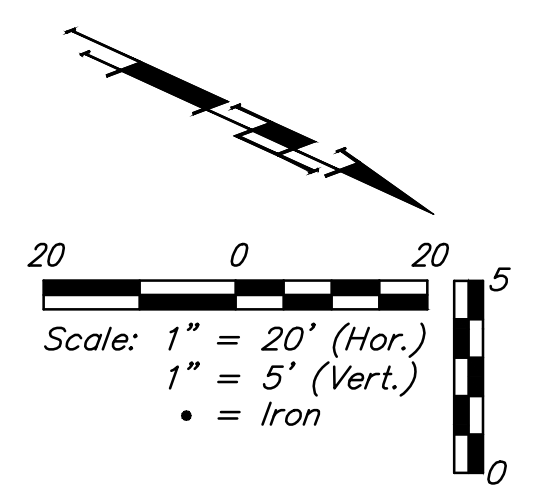


BENCHMARKS:
 BM #1: "□" cut in top of curb near intersection of 27th Street North & Woodridge, south of SE corner of Lot 24, Block C, Woods North 3rd Addition.
 Elev. = 1392.97 NGVD29

BM #2: "□" cut in top of curb near intersection of Woodridge Court & Woodridge, south of SE corner of Lot 6, Block A, Woods North 3rd Addition.
 Elev. = 1390.10 NGVD29



		Woods North Addition - Phase II	
		LINE 5 STREET IMPROVEMENTS	
<small>Baughman Company, P.A. 315 Ellis St., Wichita, KS 67211 P 316-262-7271 F 316-262-0149 ENGINEERING SURVEYING PLANNING LANDSCAPE ARCHITECTURE</small>			
PROJECT NUMBER	DESIGN	DRAWN	
	AEG	TMS	
REVISIONS:	APPROVED	DATE	
		9/13/13	
	SCALE	SHEET	
	Noted	15 OF 31	