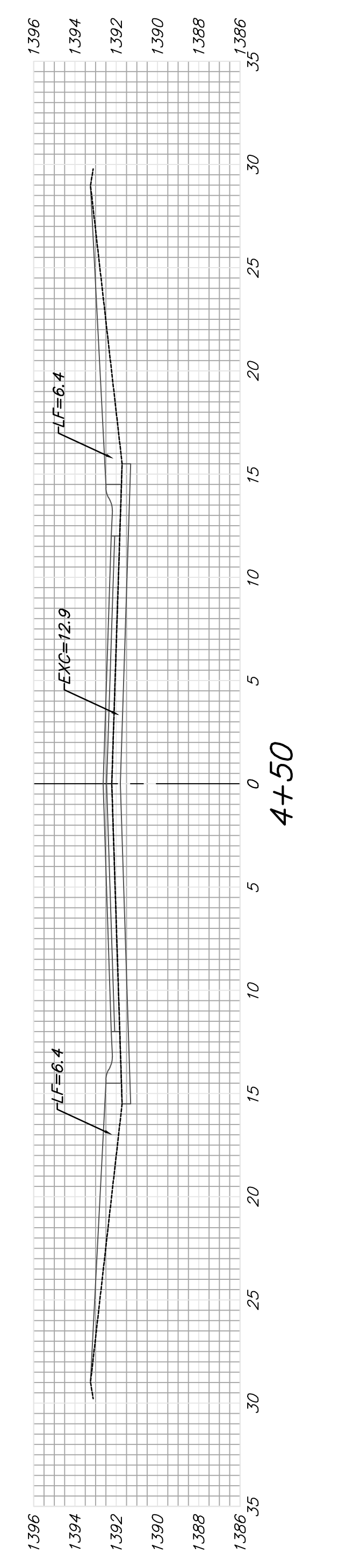
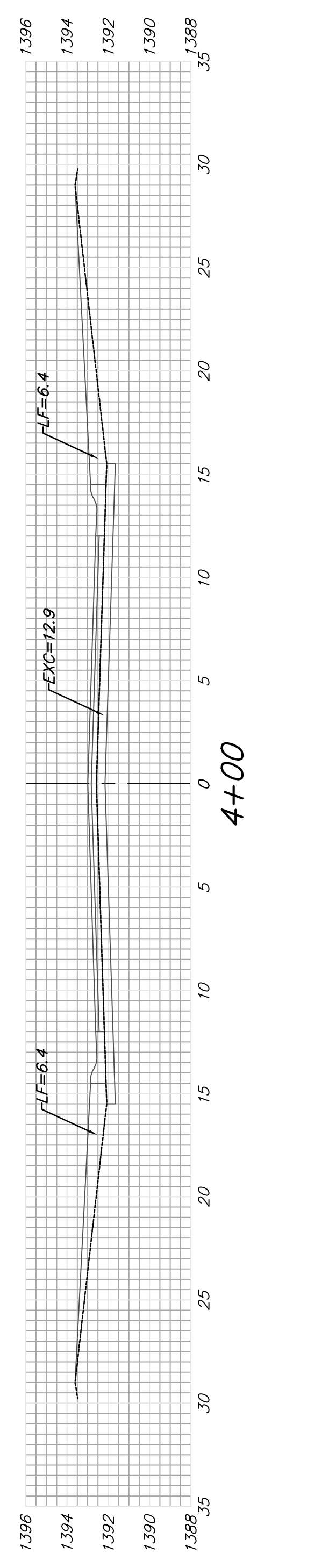


$EXC = 6.4$   
 $LF = 6.3$   
 $CF = 0.0$



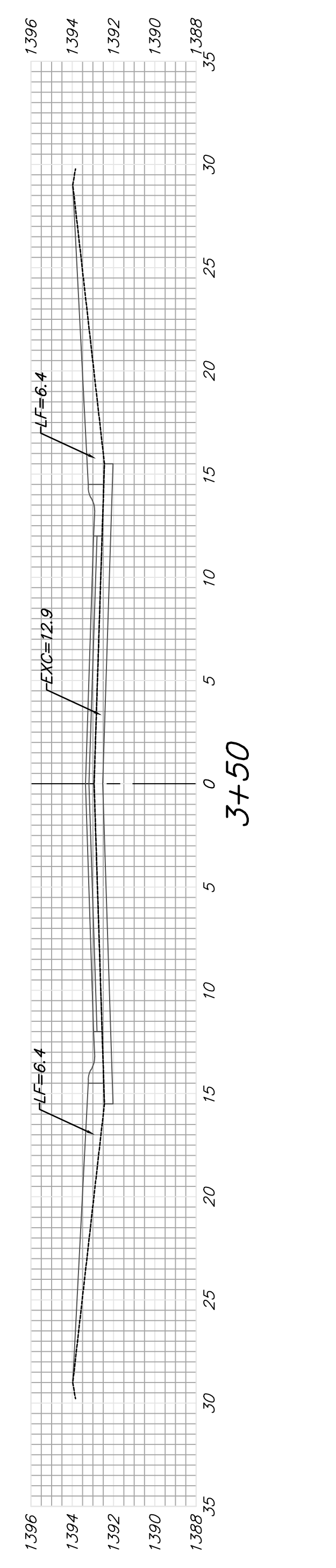
4+50

$EXC = 23.9$   
 $LF = 23.7$   
 $CF = 0.0$



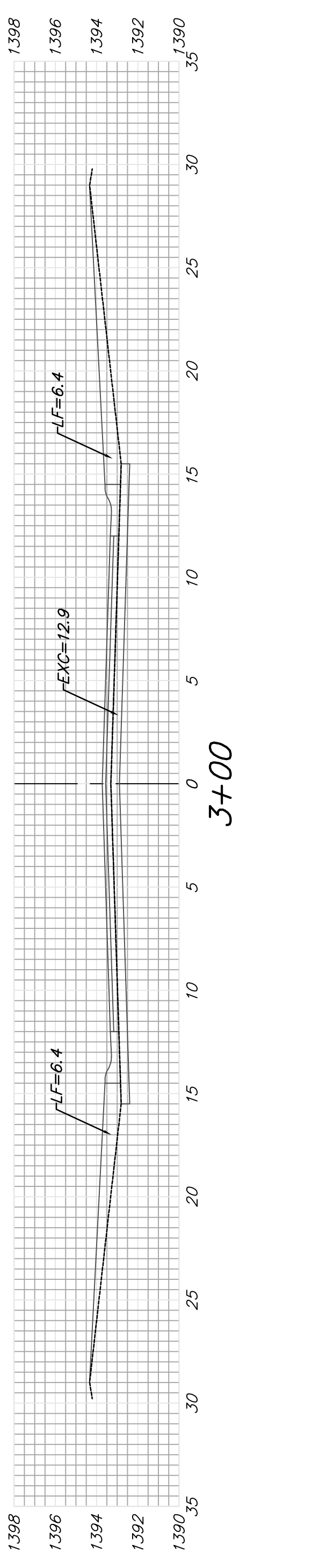
4+00

$EXC = 23.9$   
 $LF = 23.7$   
 $CF = 0.0$



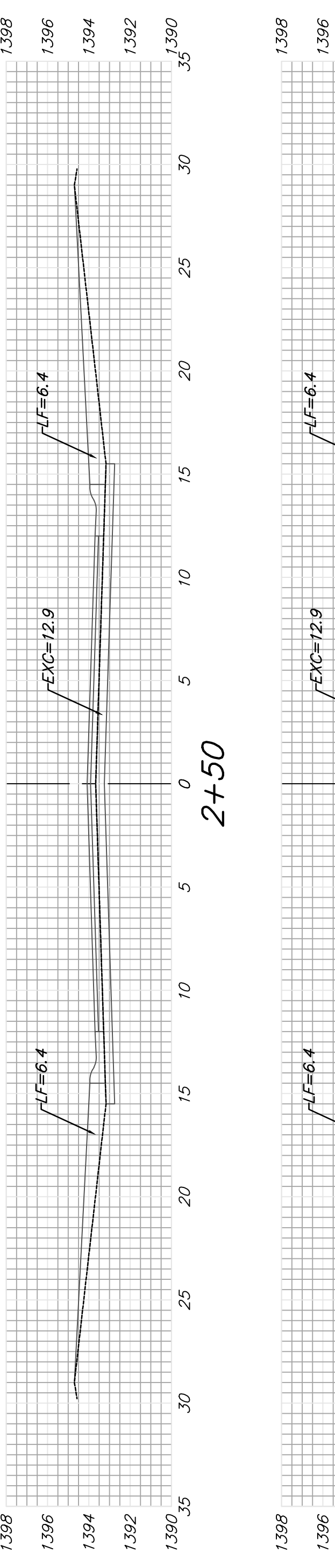
3+50

$EXC = 23.9$   
 $LF = 23.7$   
 $CF = 0.0$



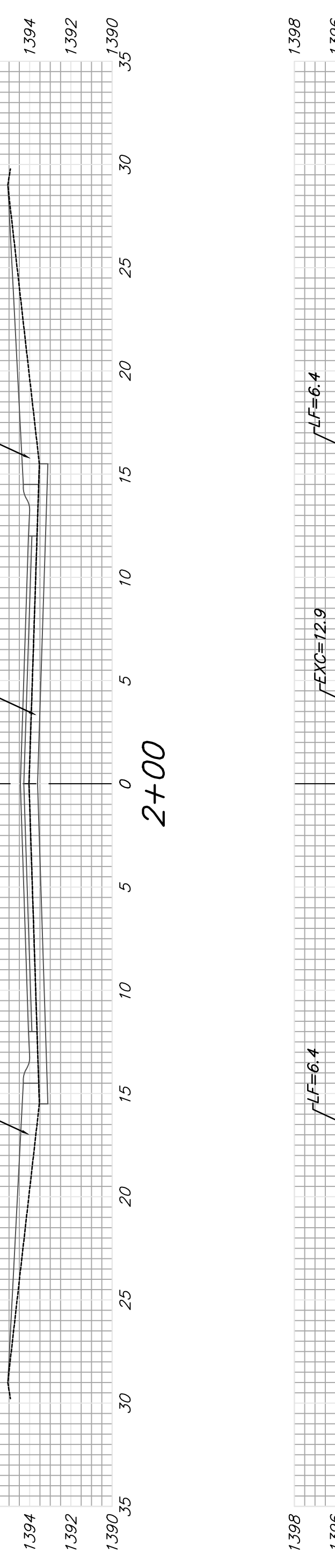
3+00

$EXC = 23.9$   
 $LF = 23.7$   
 $CF = 0.0$



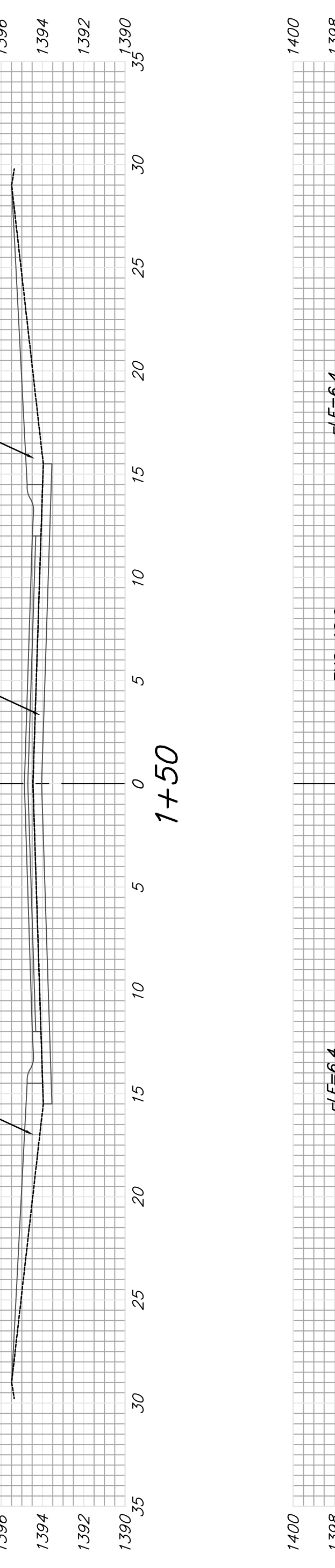
2+50

$EXC = 23.9$   
 $LF = 23.7$   
 $CF = 0.0$



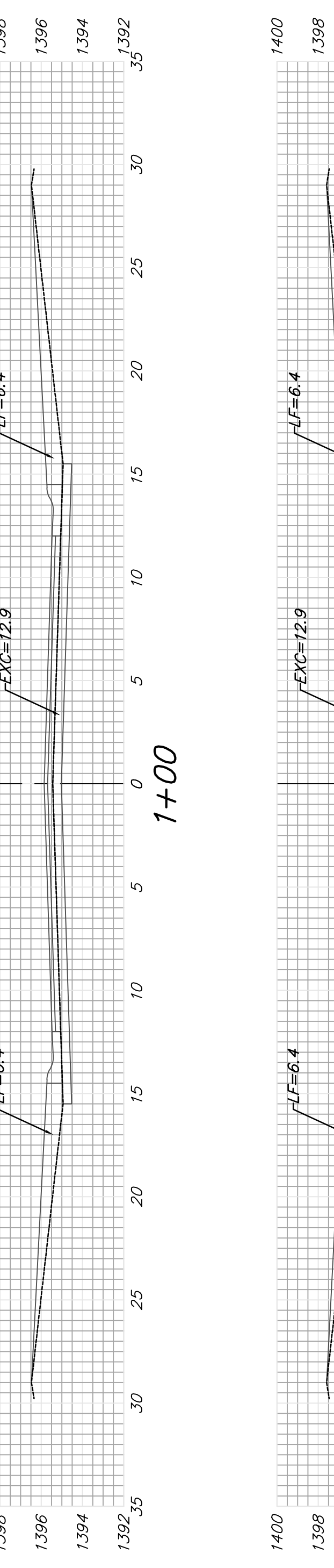
2+00

$EXC = 23.9$   
 $LF = 23.7$   
 $CF = 0.0$



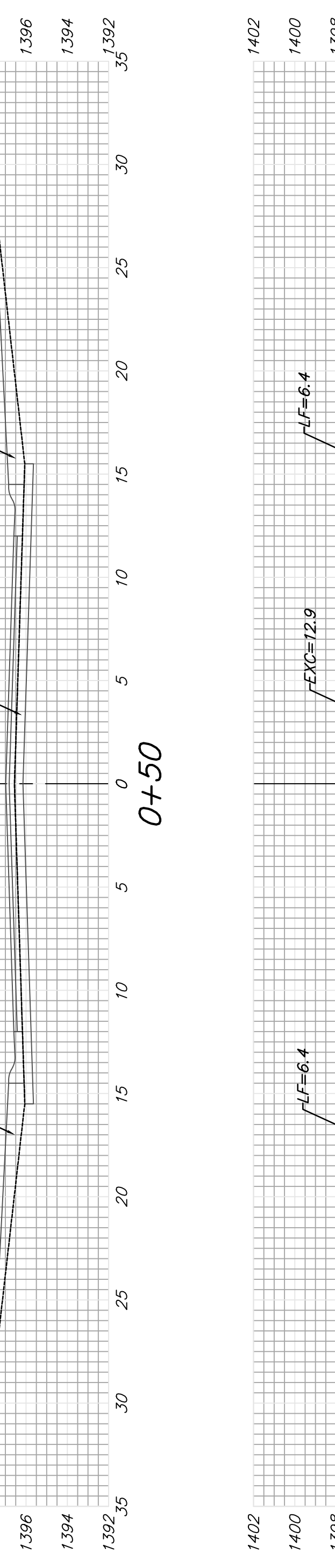
1+50

$EXC = 23.9$   
 $LF = 23.7$   
 $CF = 0.0$



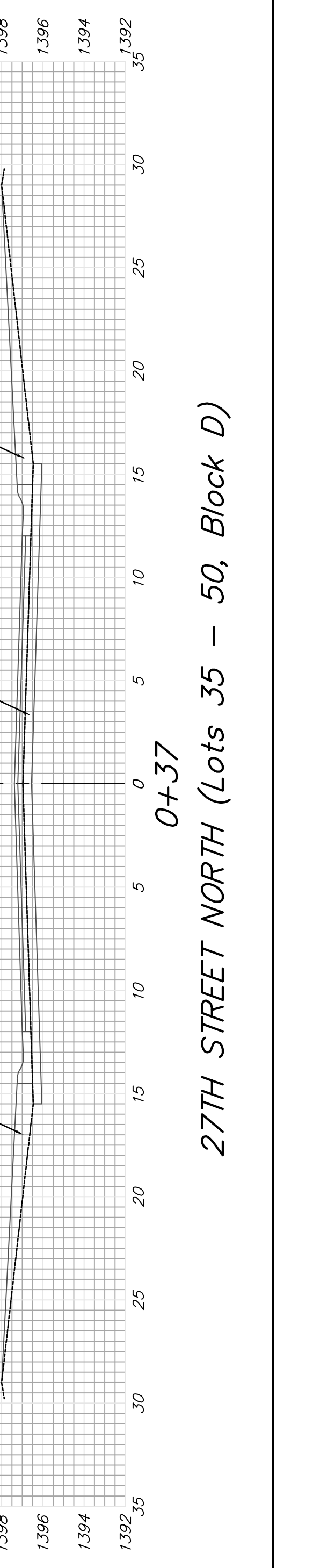
1+00

$EXC = 23.9$   
 $LF = 23.7$   
 $CF = 0.0$



0+50

$EXC = 6.2$   
 $LF = 6.2$   
 $CF = 0.0$



0+37

27TH STREET NORTH (Lots 35 - 50, Block D)

