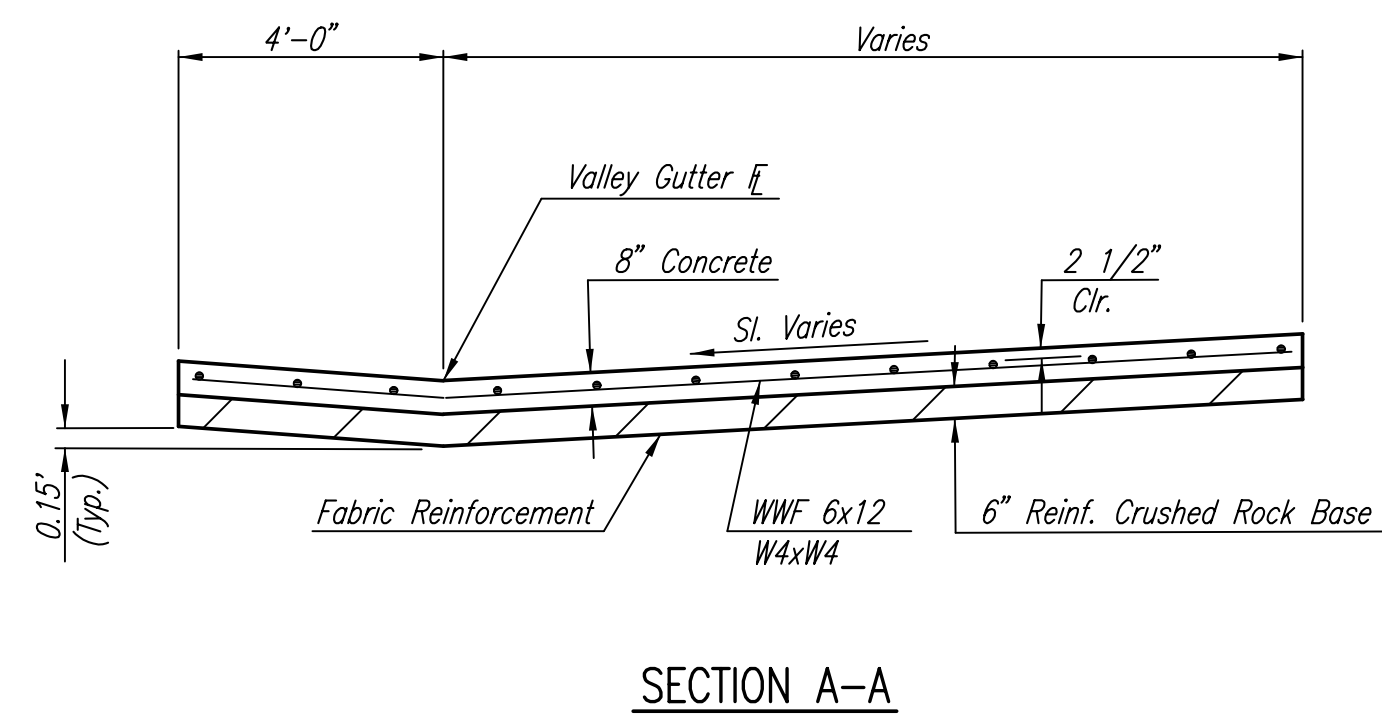
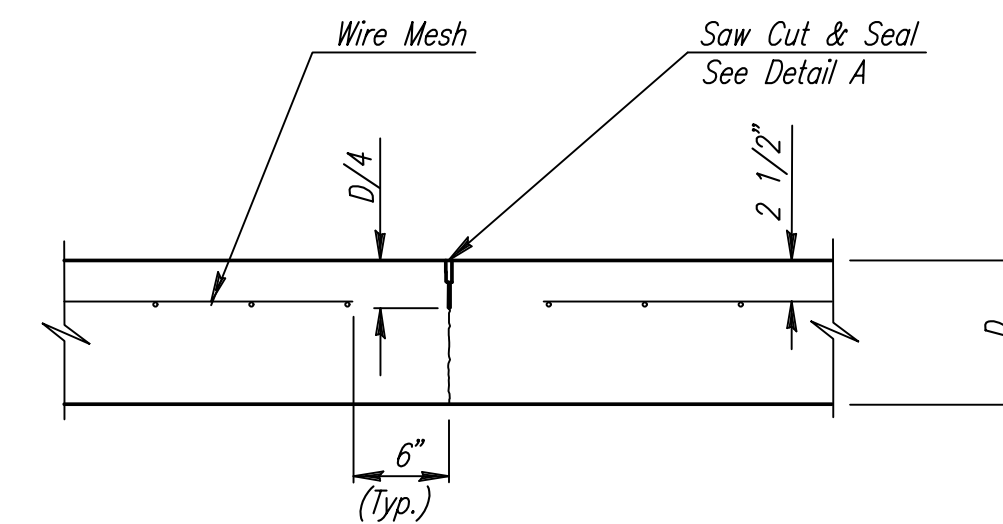


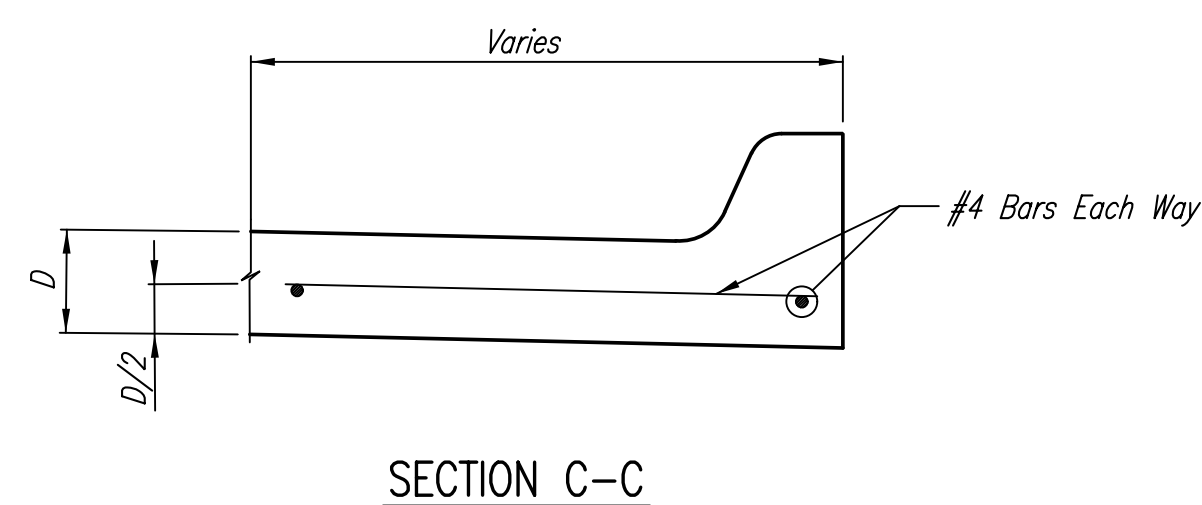
- ① To be accomplished in 2 cuts for Longitudinal Joints and Contraction Joints. Initial cut to be 1/8" wide.
- ② Eliminate bottom of cut when metal keyway is used as part of Longitudinal or Transverse Construction Joint and at Doweled Construction Joint Locations.
- ③ 1 1/2" Minimum



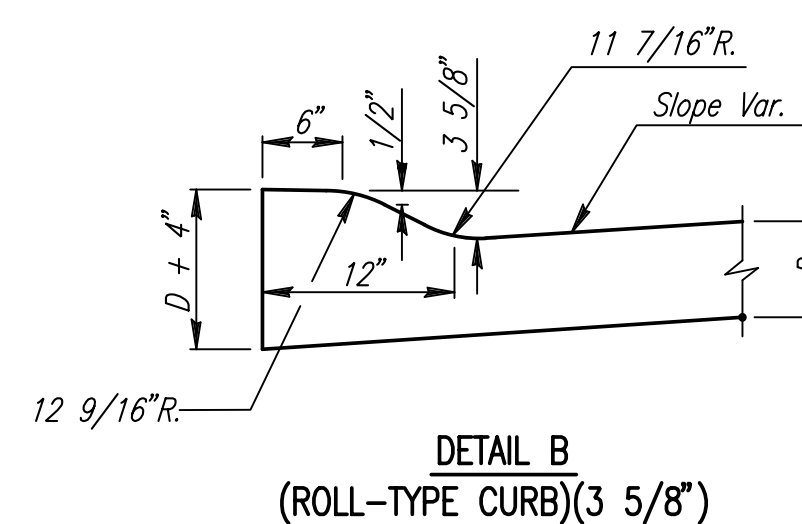
NOTE: OMIT REINFORCING MESH AT ALL JOINTS
 NOTE: ALL CONCRETE VALLEY GUTTER REINFORCEMENT SHALL BE ADEQUATELY SUPPORTED BY BAR CHAIRS IN THE REQUIRED POSITION UNLESS APPROVED OTHERWISE BY THE ENGINEER.



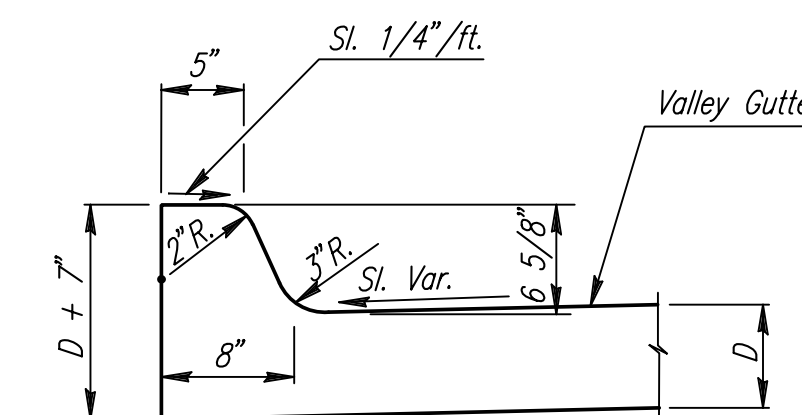
CONTRACTION JOINT DETAIL
 REINFORCED PAVEMENT
 (C.J.)



SECTION C-C



DETAIL B
 (ROLL-TYPE CURB)(3 5/8")



DETAIL C
 (STANDARD CURB)(6 5/8")

MONOLITHIC EDGE CURB

Plotted By: cp Date: 12/30/2013 2:36:56 PM
 FILE: I:\2009\0952\Standards\09521-ValgUTd1v8.dgn

No.	Revision	By	Date
K-96 AND GREENWICH ROAD			
VALLEY GUTTER DETAILS			
GARY JANZEN, P.E.-CITY ENGINEER CITY OF WICHITA PROJECT NO. 472-85066			
PEC PROFESSIONAL ENGINEERING CONSULTANTS, P.A. 303 SOUTH TOPEKA WICHITA, KS 67202 316-262-2691 www.pec1.com			
Designed by	JPS	Job No.	09521
Drawn by	SVB	Date	Jan., 2014
			Sht. 60 of 388