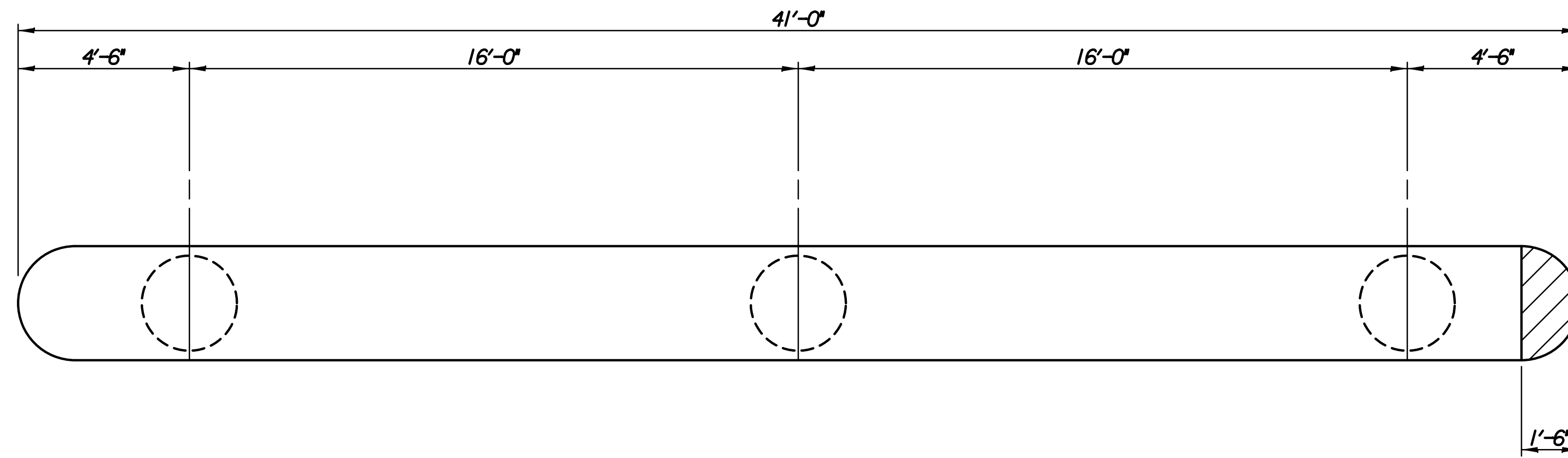
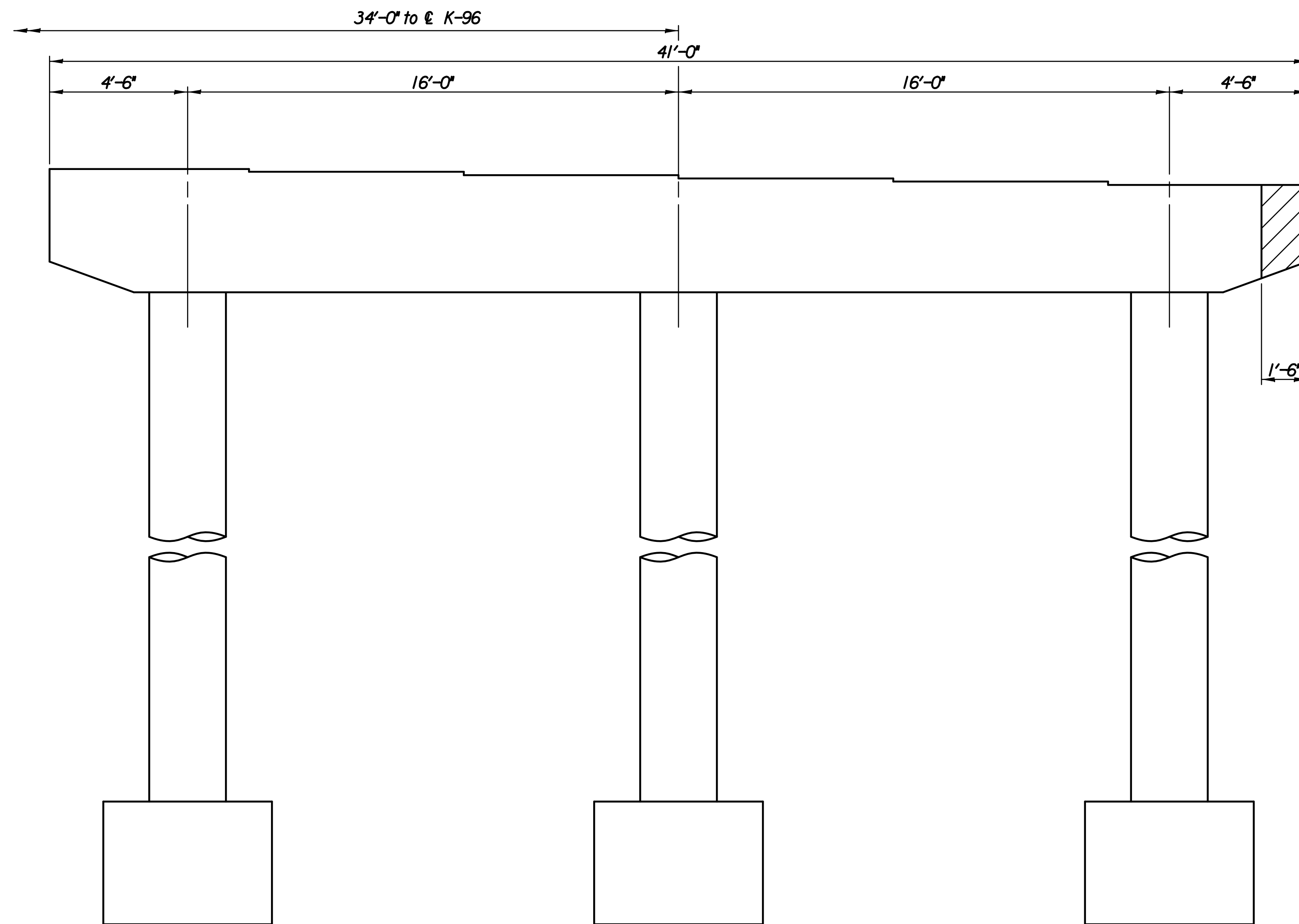


STATE	PROJECT NO.	YEAR	SHEET NO.	TOTAL SHEETS
KANSAS	472-85066	2014	109	388



PLAN




ELEVATION

 Removal Limits

No.	Revisions	By	Date
	BR. NO. 96-87-32.78 (4I2) E.B.		STA. 463+49.36
	BR. NO. 96-87-32.79 (4II) W.B.		STA. 463+48.72

PIER REMOVAL DETAILS
K-96 OVER GREENWICH ROAD
PROJECT NO. 472-85066 SEDGWICK COUNTY

 **Professional Engineering Consultants, P.A.**
300 S. TOPEKA • WICHITA, KANSAS 67202
316-262-2691 • FAX 316-262-3003

Designed by	C.W.P.J.	Checked by	M.S.N.
Drawn by	C.W.P.J.	Date	Jan. 2014
		Job No.	0952I

Plotted By: msn Date: 12/30/2013 3:48:17 PM
FILE: I:\2009\0952\Office Check 03-2012\Bridges\0952I-BR-Pier Removal.dgn