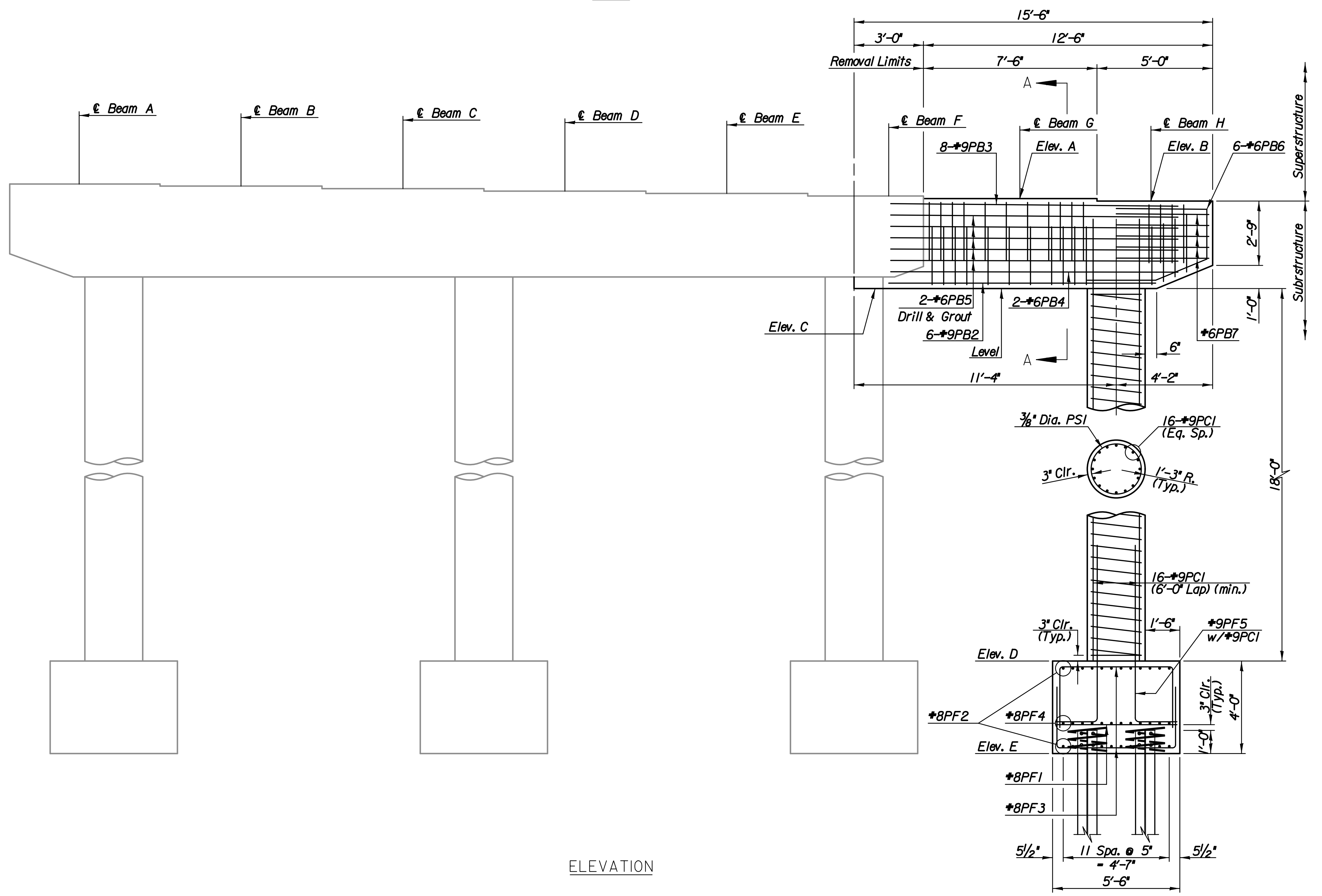
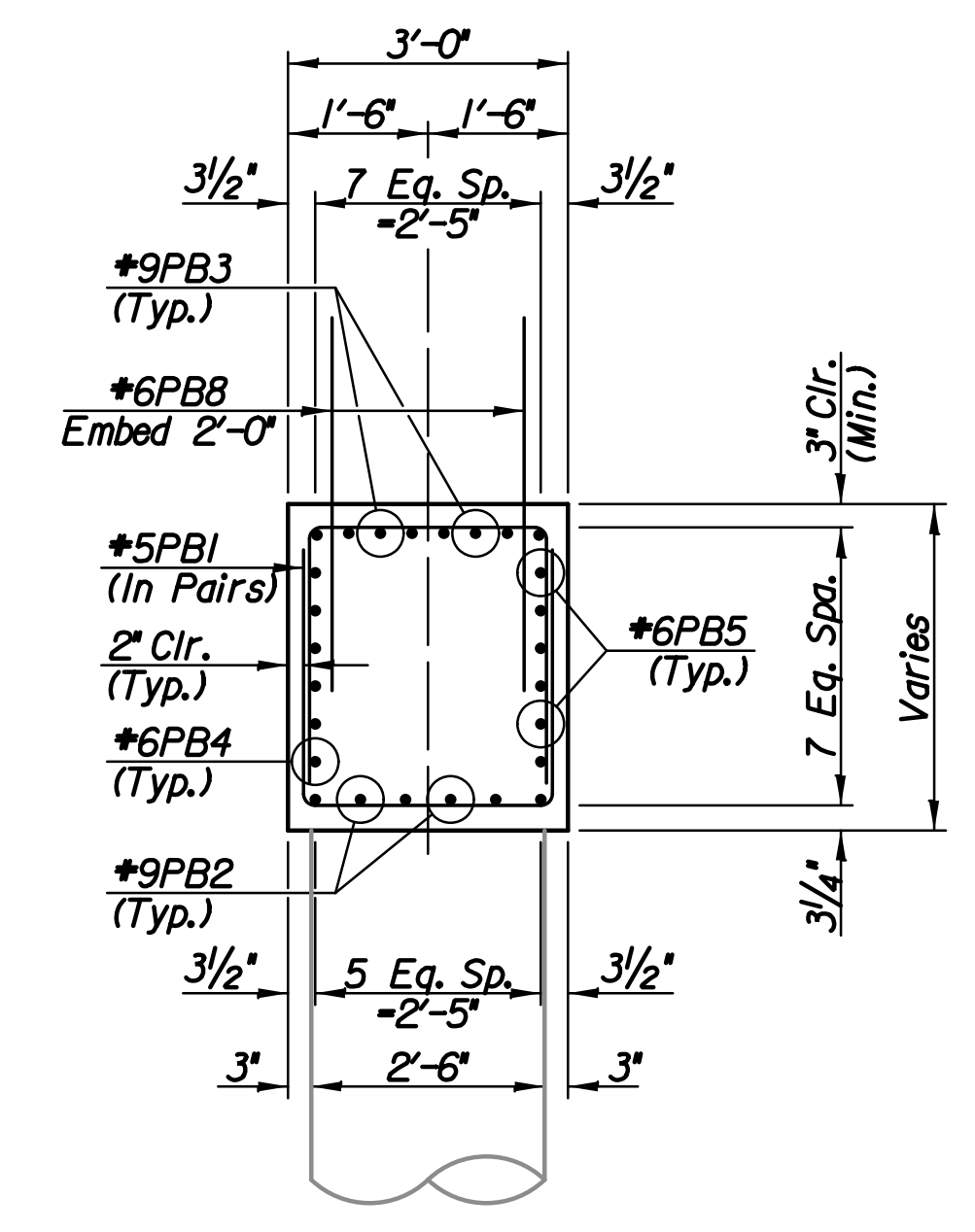


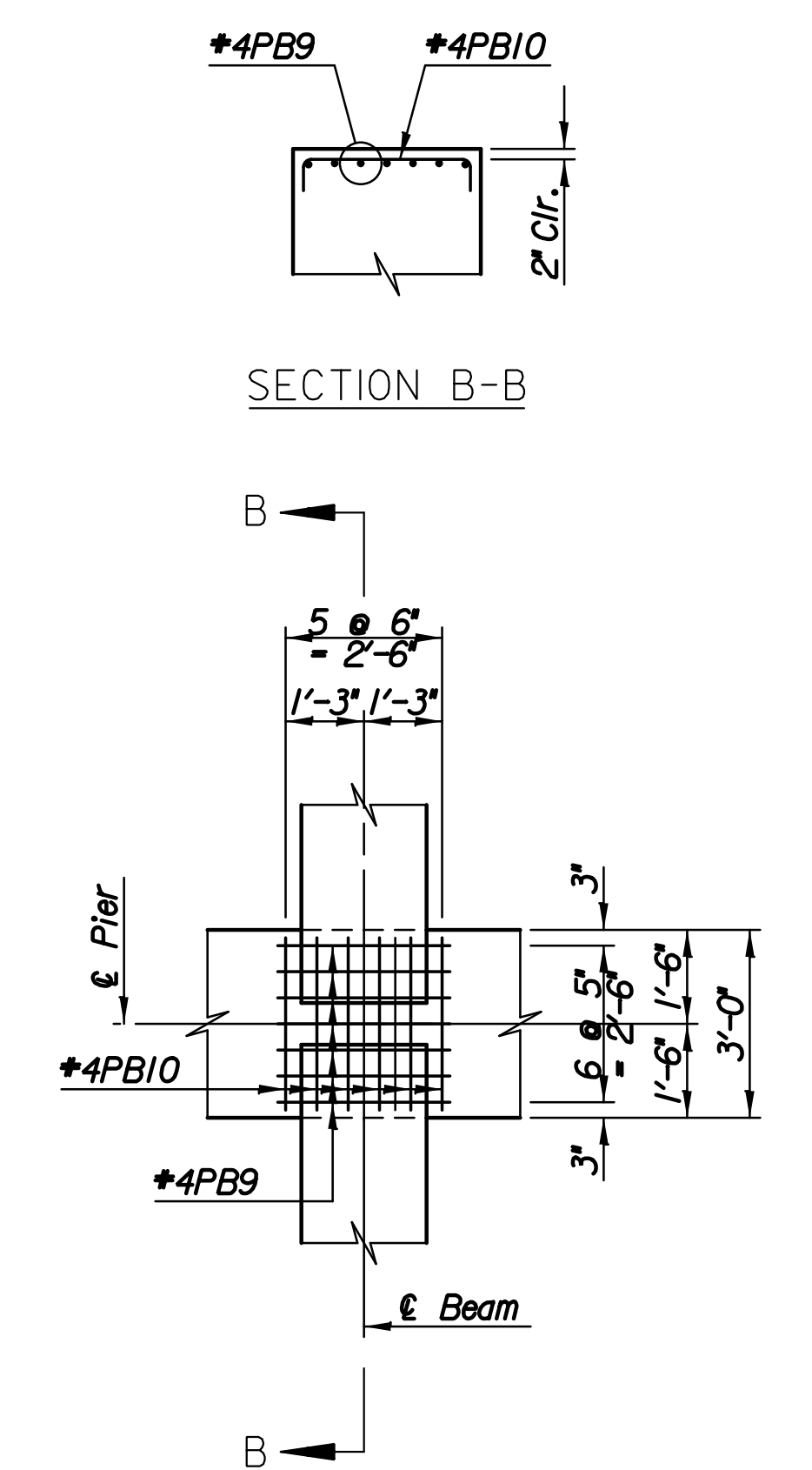
PLAN



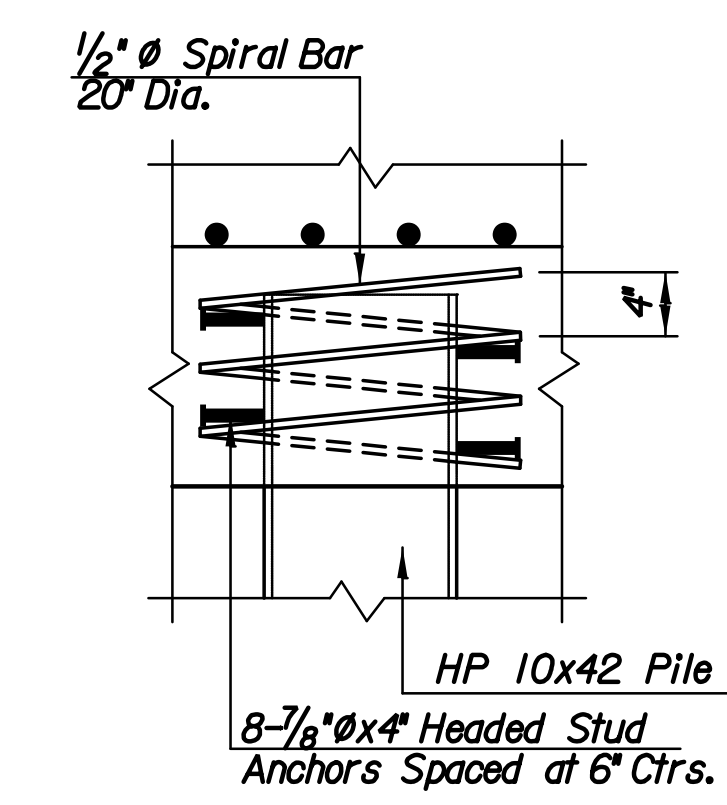
ELEVATION



SECTION A-A



SECTION B-B



PILE REINFORCEMENT DETAIL
(Typical All Piles in Pier Footings)

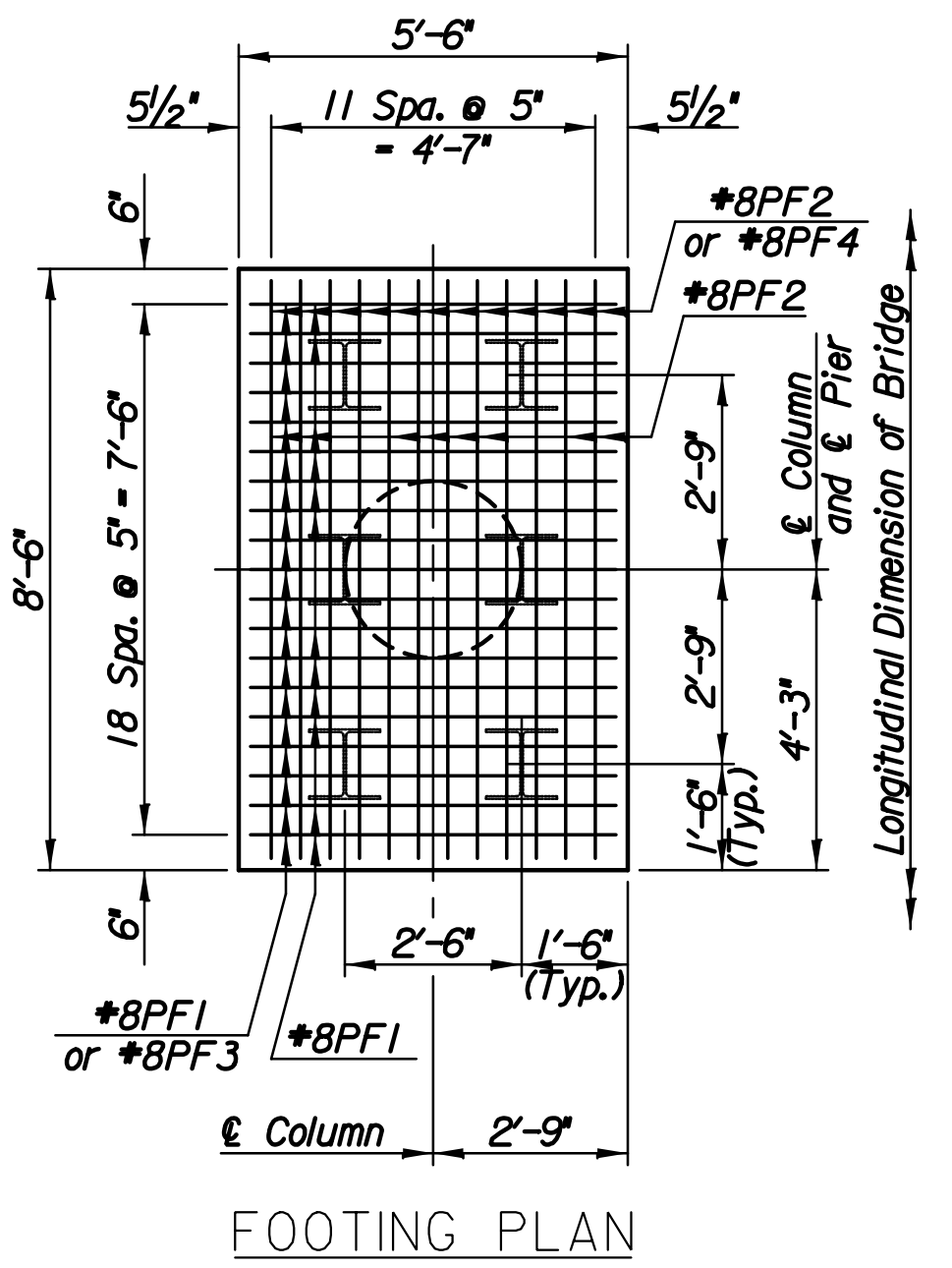
NOTE: The spiral bar and headed stud anchors shall be considered subsidiary to the Bid Item, "Piles (Steel) (HP10x42)". Included with this work, but not limited to, shall be all material, labor and incidentals to complete the work as depicted.

Spiral reinforcing shall meet the requirements of either ASTM A615 Gr. 40 or 60, or ASTM A82.

PILE LOADS			
Location	Load Case	Factored Load (tons)	Factored Resistance (tons)
Pier #1	Strength I	57.3	75.0
Pier #2	Strength I	57.3	75.0
Pier #1	Service I	43.1	55.0
Pier #2	Service I	43.1	55.0

TABLE OF ELEVATIONS		
Location	Pier #1	Pier #2
Elev. A	1387.64	1387.75
Elev. B	1387.55	1387.66
Elev. C	1383.80	1383.91
Elev. D	1365.80	1365.91
Elev. E	1361.80	1361.91

Drill & Grout
#9 2'-6" Embedment
#6 1'-6" Embedment



FOOTING PLAN

No.	Revisions	By	Date
1			

BR. NO. 96-87-32.78 (412) E.B. STA. 463+49.36
BR. NO. 96-87-32.79 (411) W.B. STA. 463+48.72

PIER DETAILS
K-96 OVER GREENWICH ROAD
PROJECT NO. 472-85066 SEDGWICK COUNTY

Professional Engineering Consultants, P.A.
303 S. TOPKA • WICHITA, KANSAS 67202
316-262-2691 • FAX 316-262-3003

Designed by C.W.P.J. Checked by M.S.N.
Drawn by C.W.P.J. Date Jan. 2014 Job No. 09521