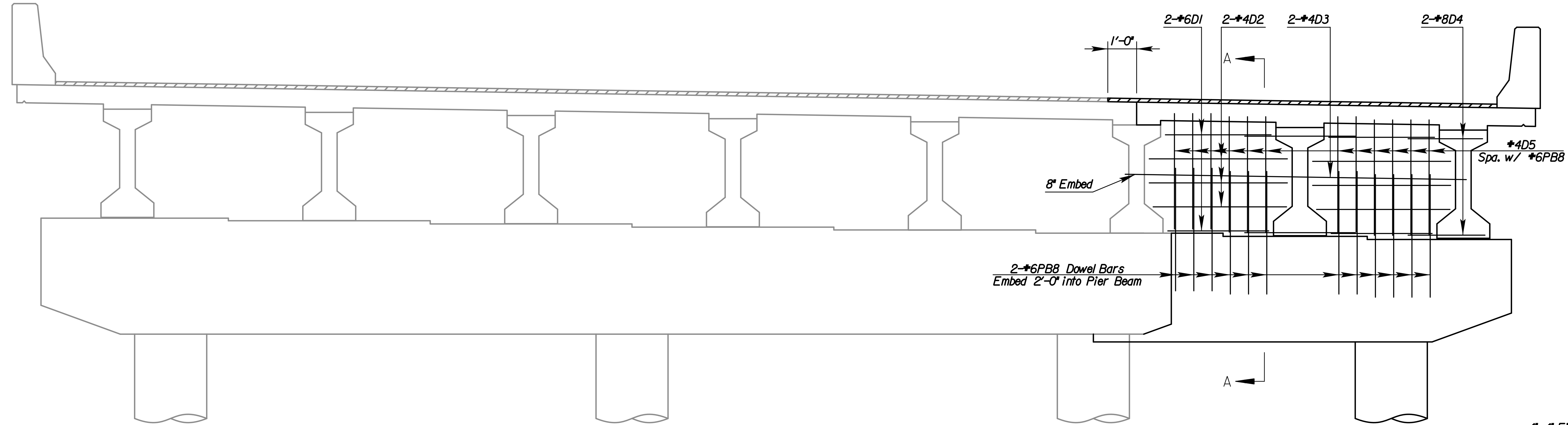
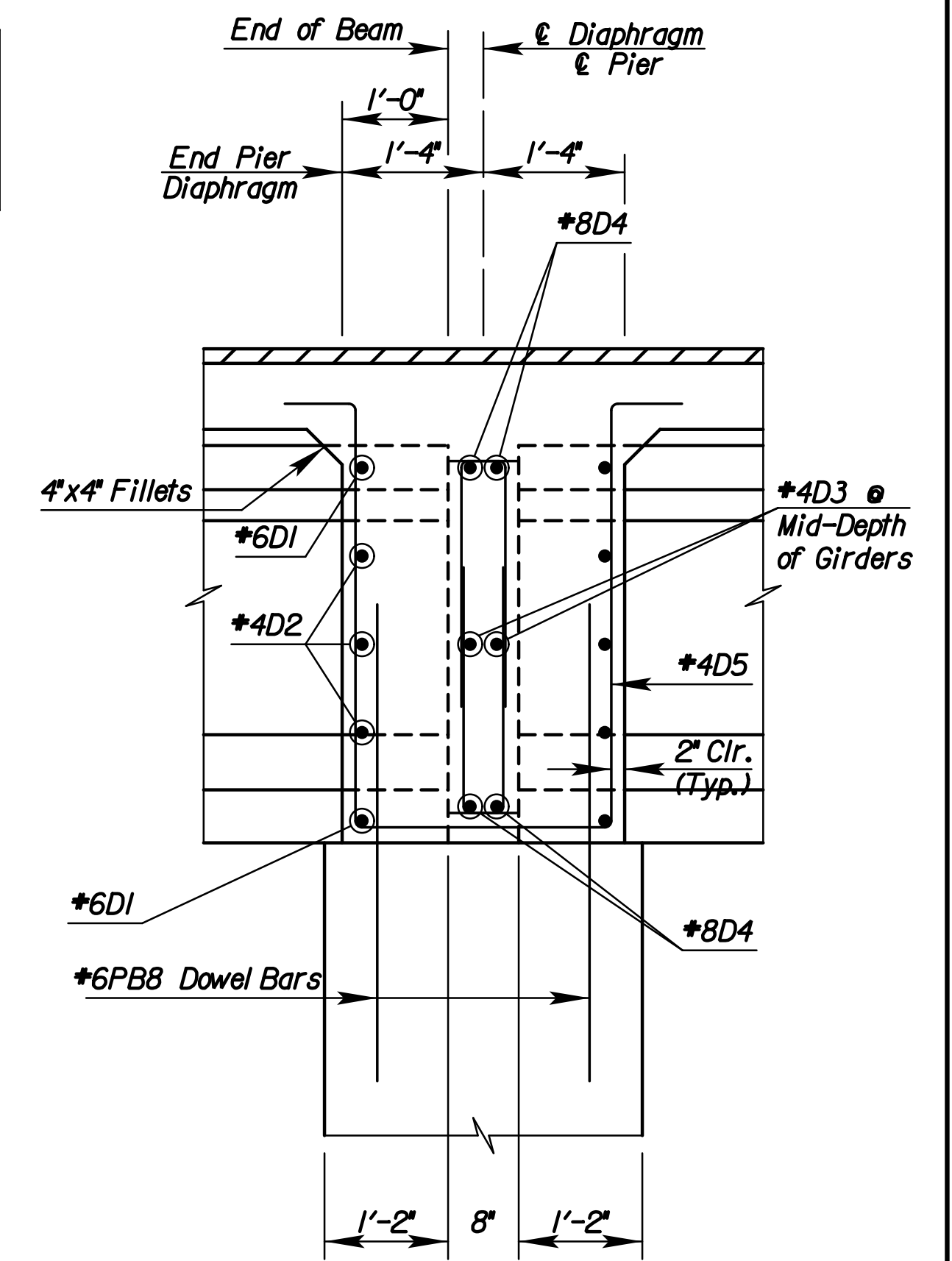


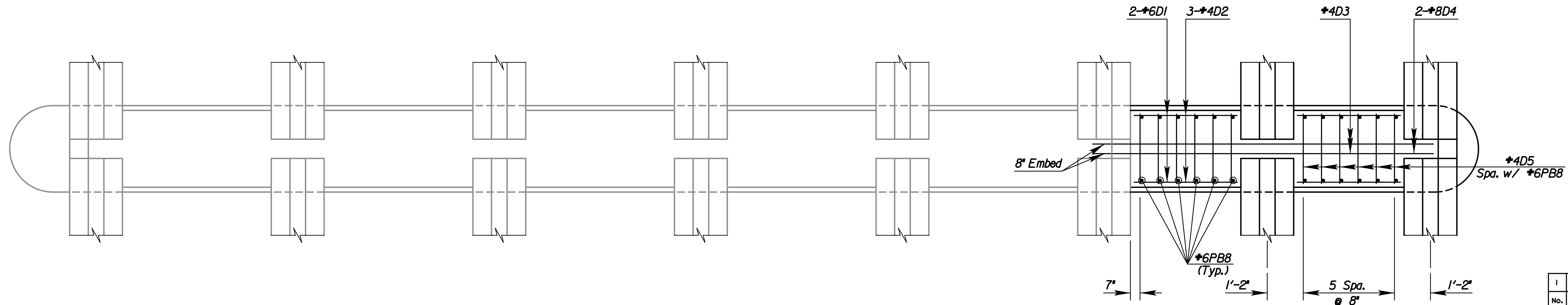
STATE	PROJECT NO.	YEAR	SHEET NO.	TOTAL SHEETS
KANSAS	472-85066	2014	115	388



ELEVATION



SECTION A-A



PLAN

No.	Revisions	By	Date
	BR. NO. 96-87-32.78 (4I2) E.B.		STA. 463+49.36
	BR. NO. 96-87-32.79 (4II) W.B.		STA. 463+48.72
DIAPHRAGM DETAILS			
K-96 OVER GREENWICH ROAD			
PROJECT NO. 472-85066		SEDGWICK COUNTY	
Professional Engineering Consultants, P.A.			
303 S. TOPEKA • WICHITA, KANSAS 67202 316-262-2691 • FAX 316-262-3003			
Designed by	C.W.P.J.	Checked by	M.S.N.
Drawn by	C.W.P.J.	Date	Jan. 2014
		Job No.	09521

Plotted By: msn Date: 12/30/2013 3:18:18 PM
 FILE: I:\2009\09521\Office Check 03-2012\Bridg 09521-BR-Diaphragm Details.dgn