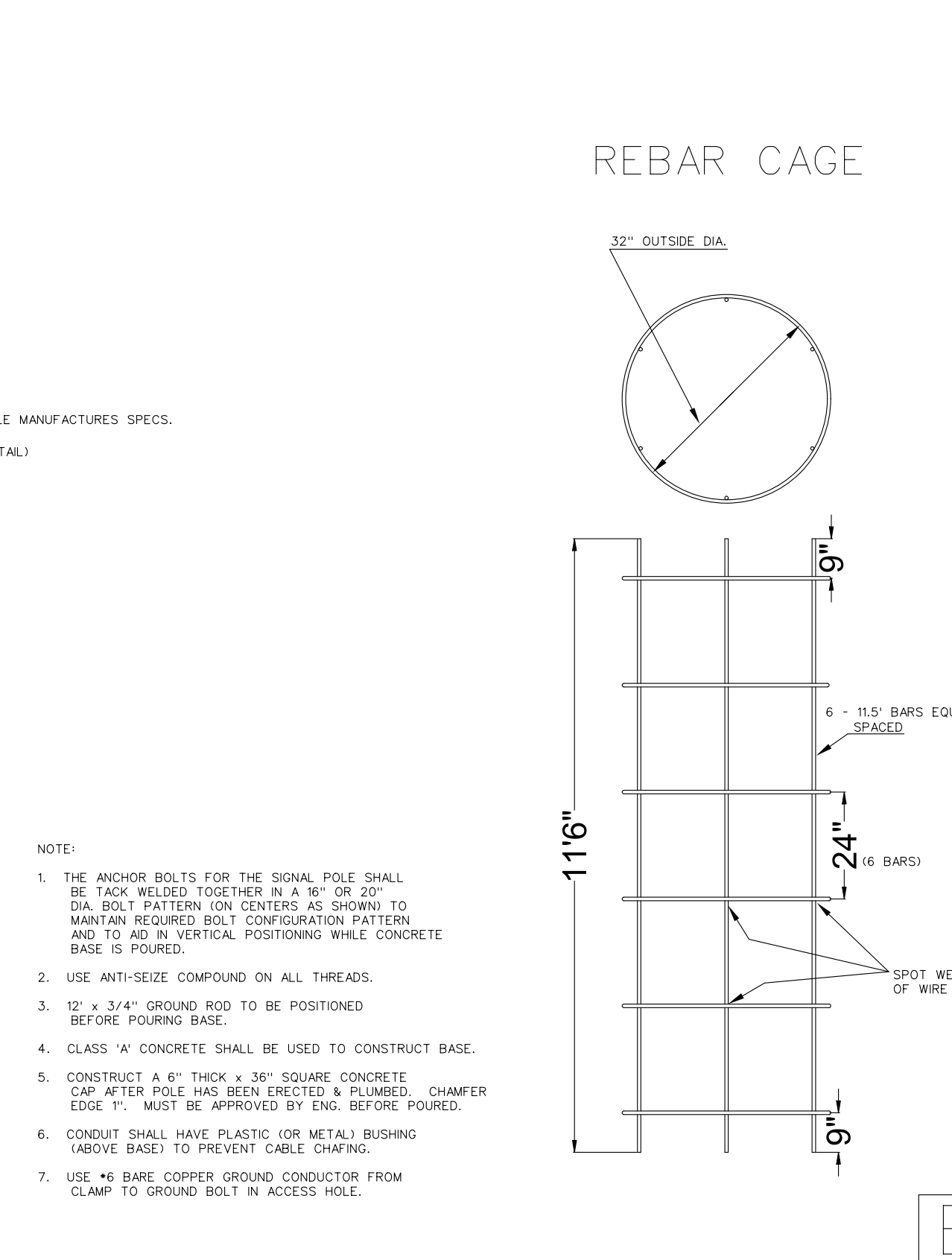
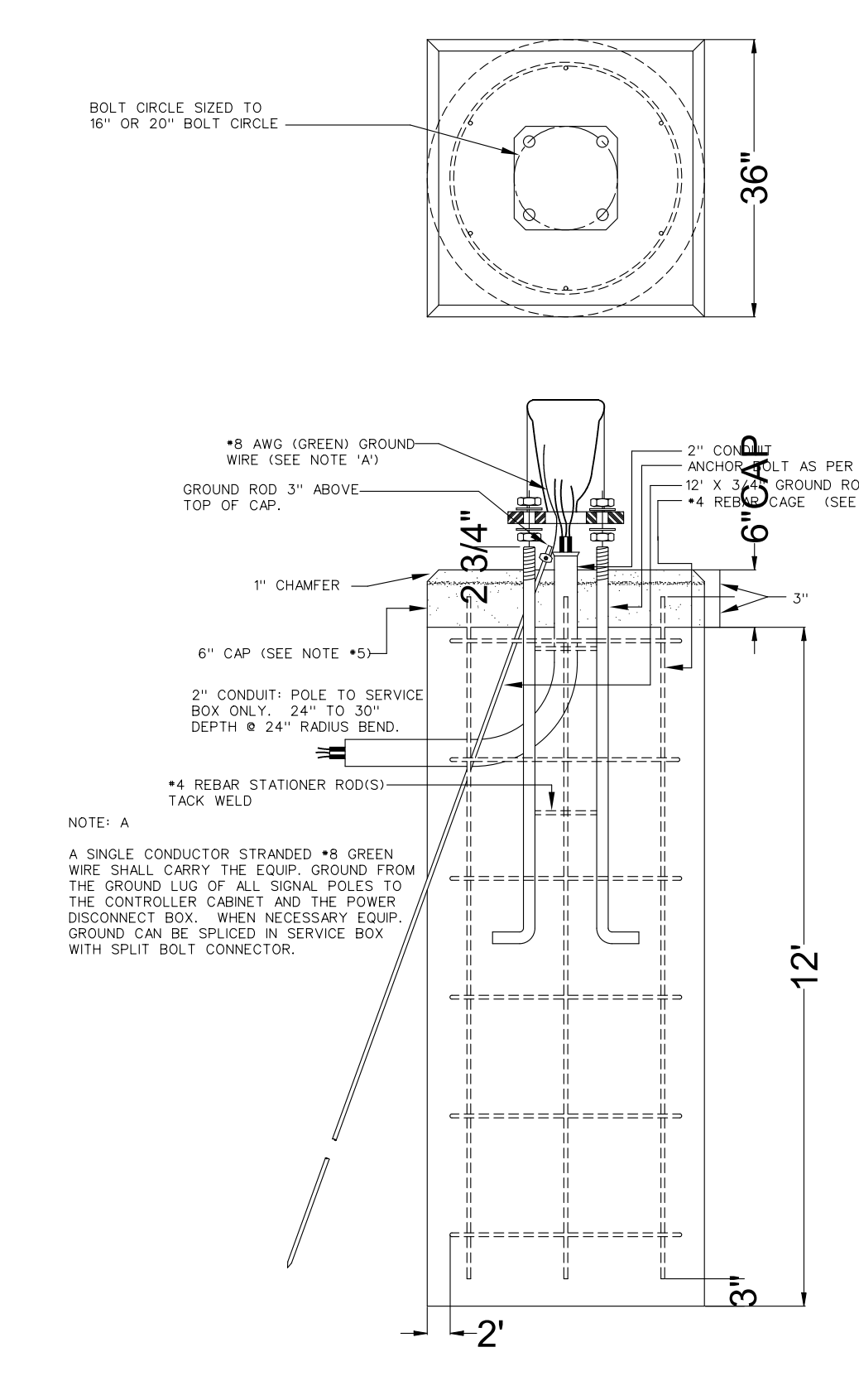
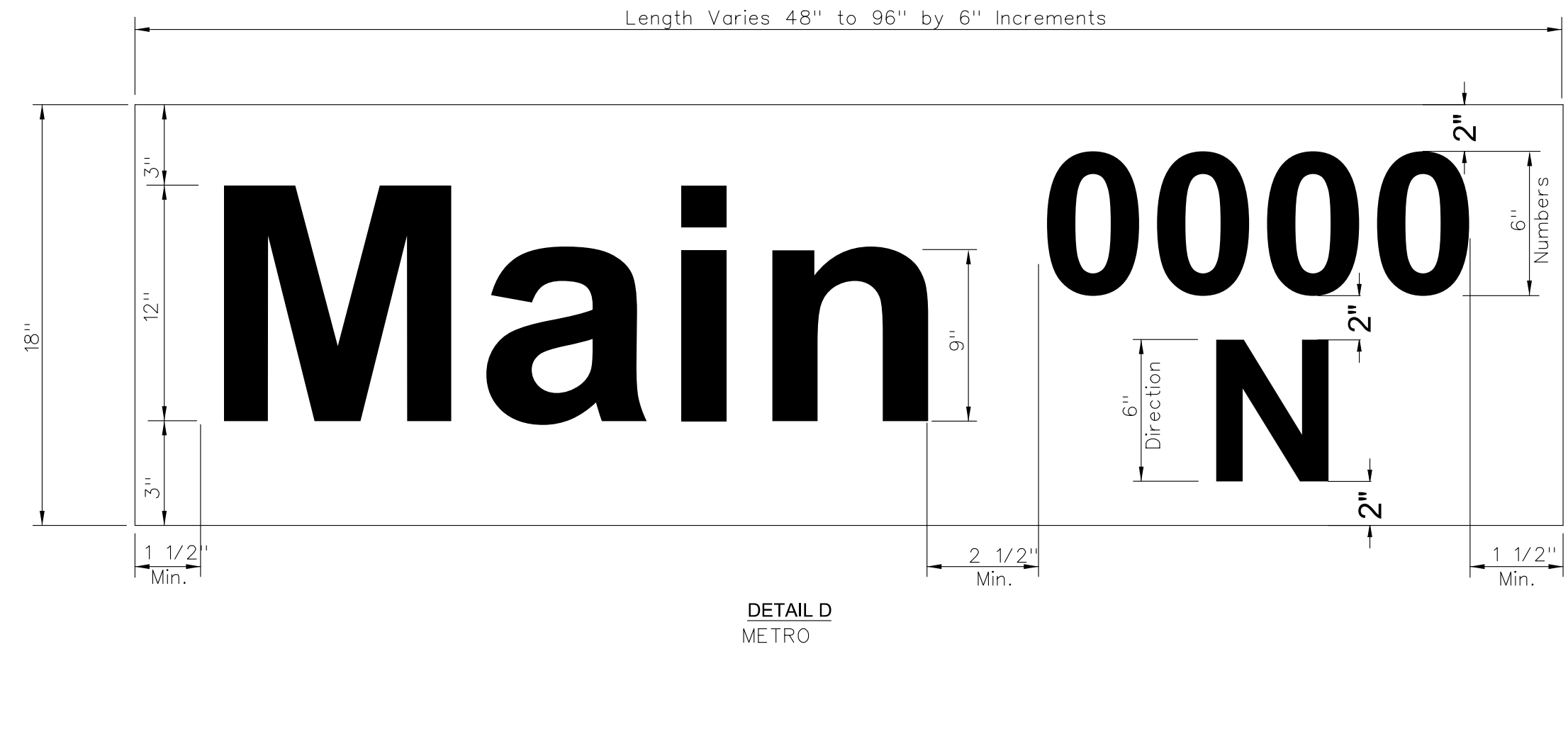
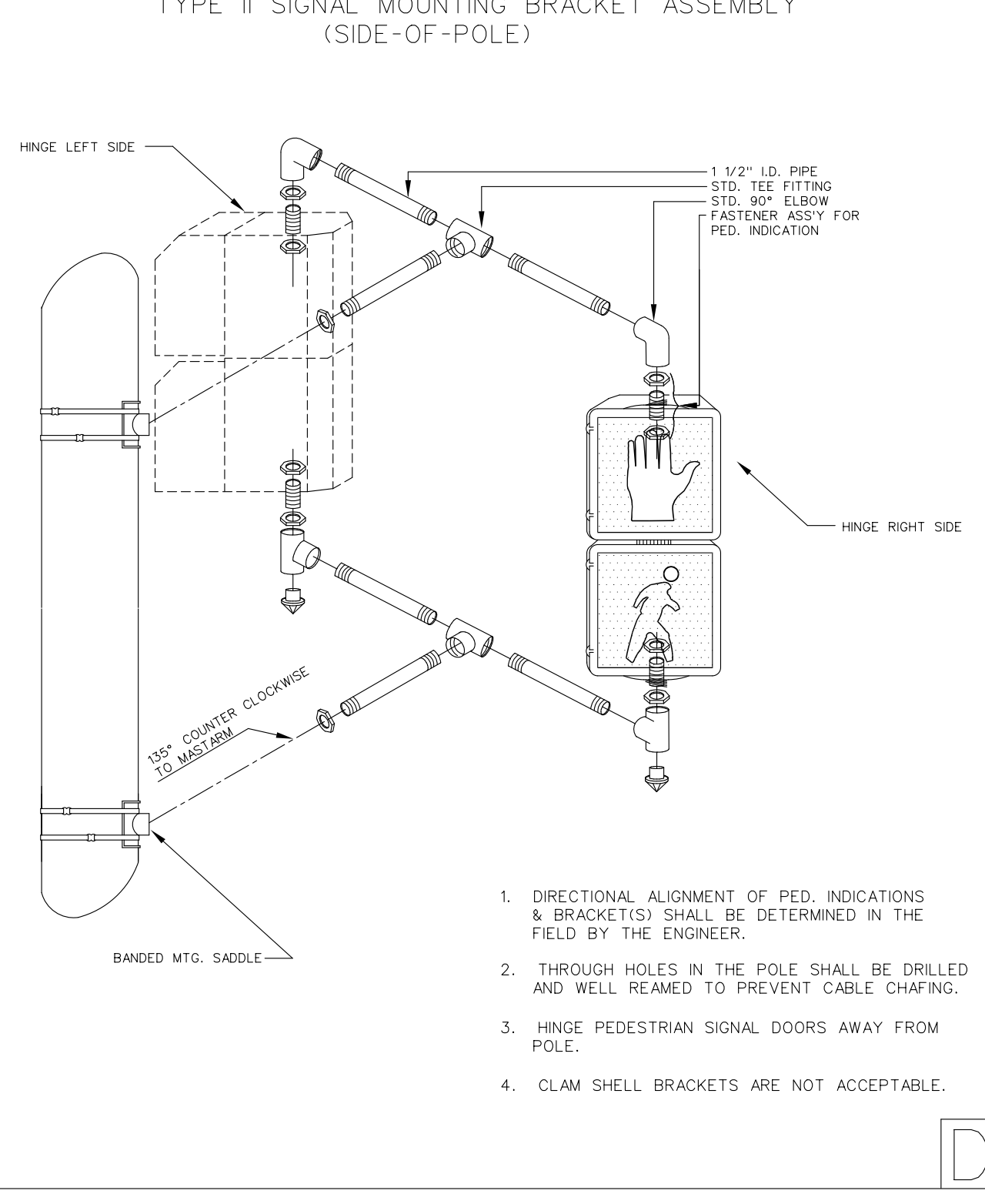
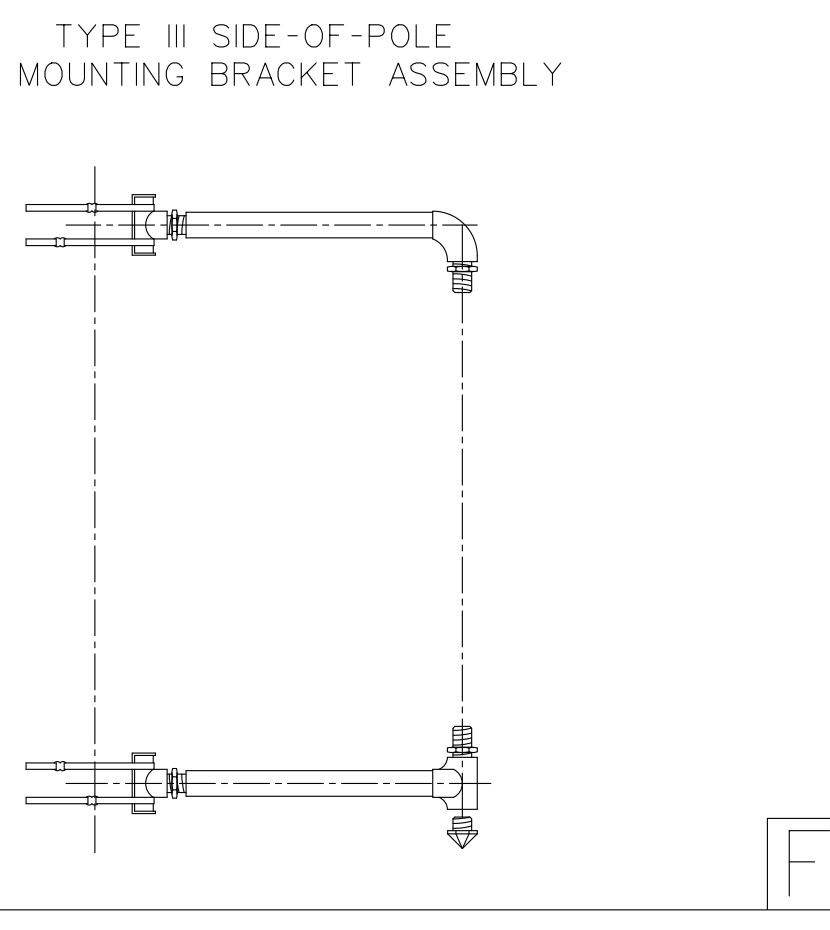
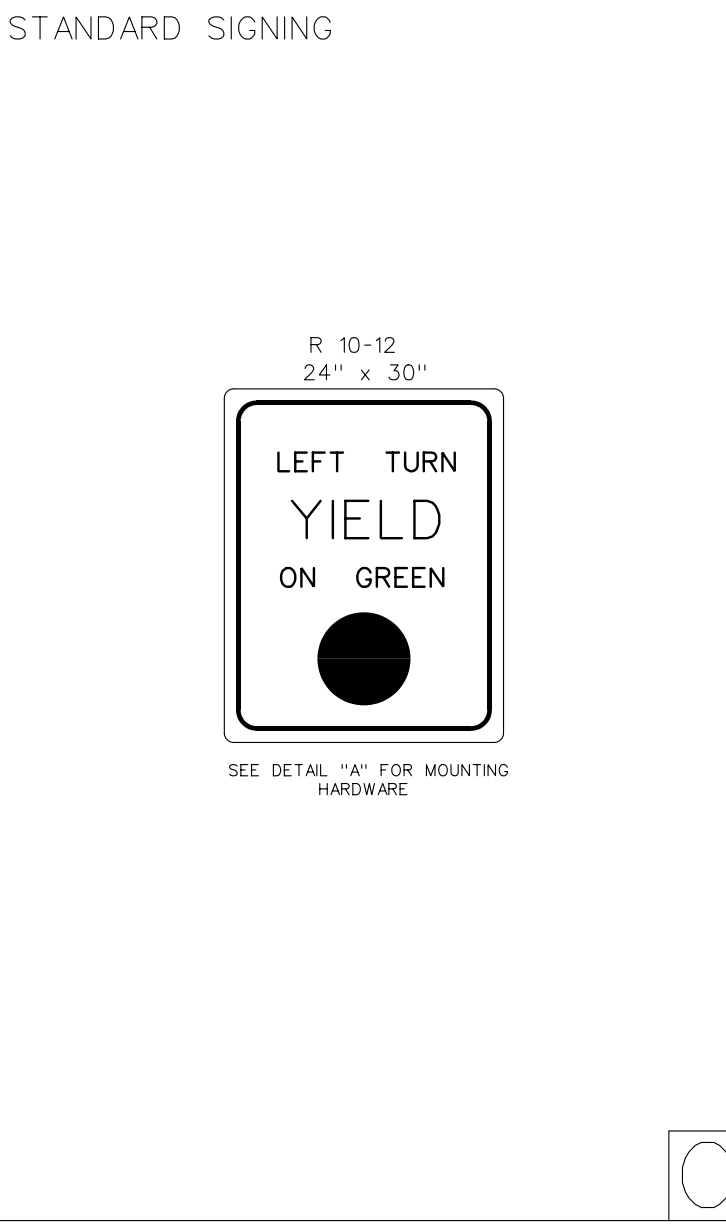
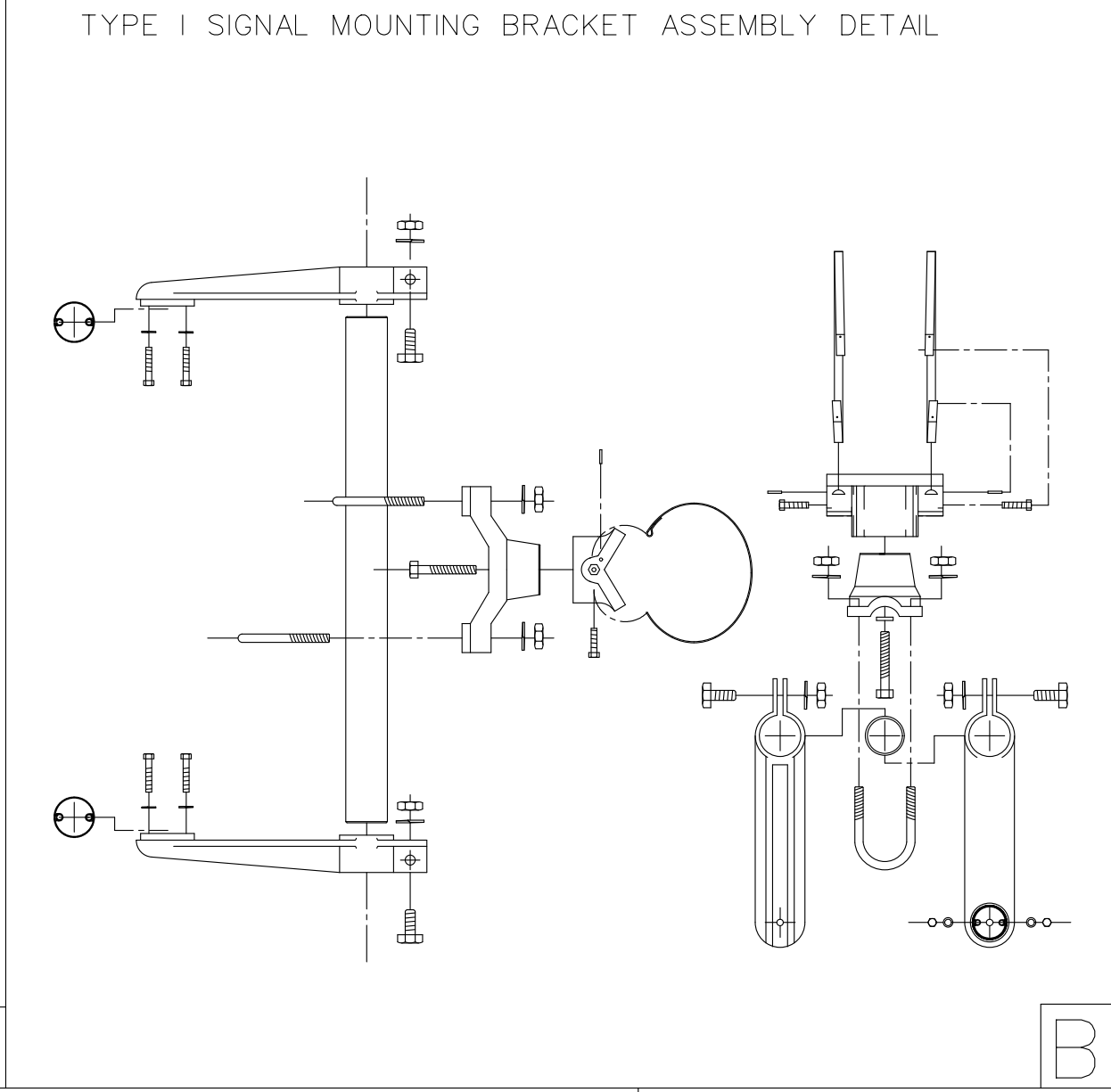
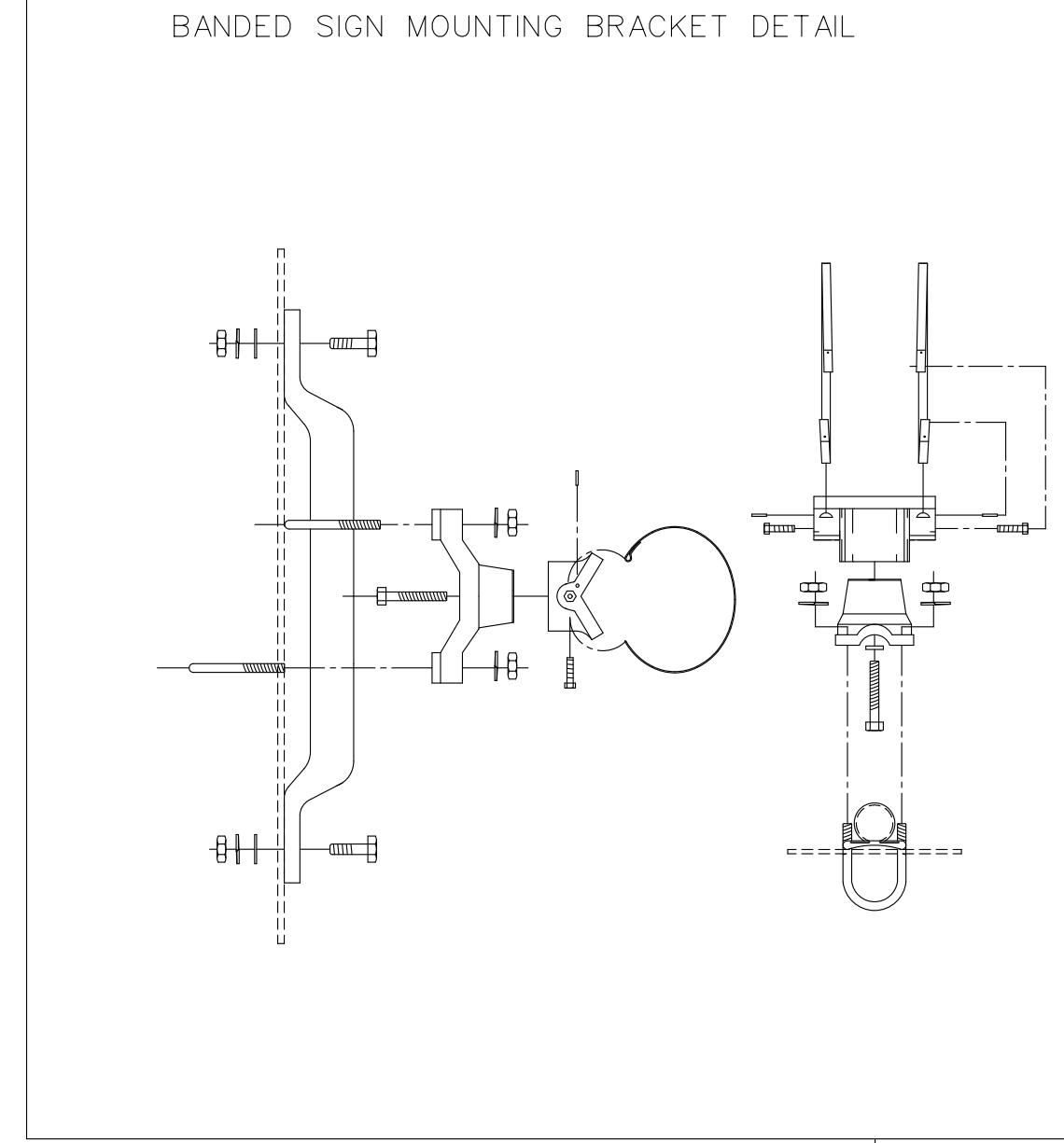
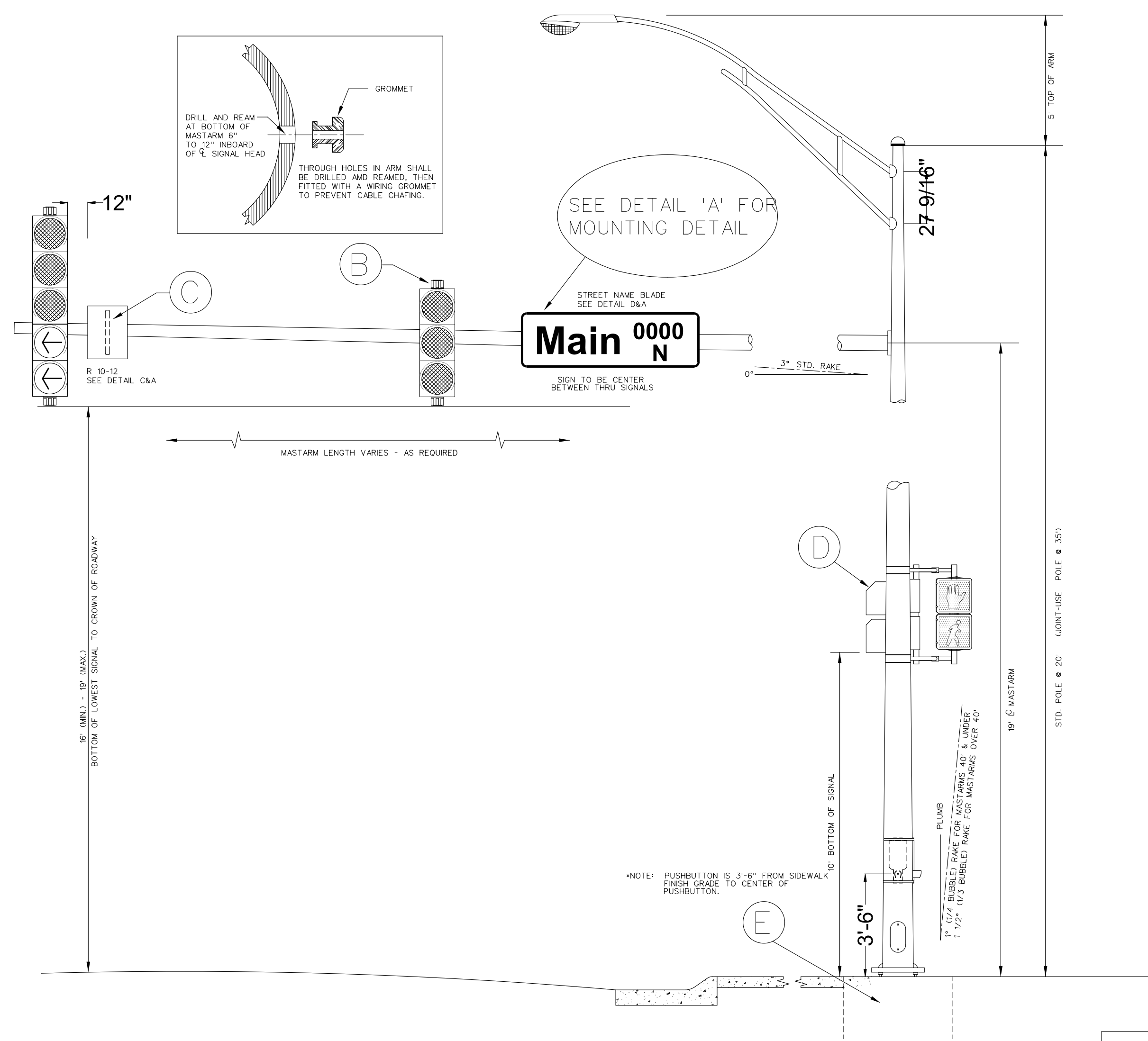


Plotted By: cp Date: 12/30/2013 2:41:04 PM
 FILE: I:\2009\09521\Standards\09521-TR-101 STEEL SIGNAL POLE ASSEMBLY.dwg



STEEL SIGNAL POLE ASSEMBLY DETAILS

TRAFFIC ENGINEER
PAUL GUNZELMAN, P.E.

| | | |
|------------------------------------|-----------------------------|------------------------|
| PROJECT NUMBER 472-85066 | OCA NUMBER 707041 | DATE 10/2012 |
|------------------------------------|-----------------------------|------------------------|

CITY ENGINEER'S OFFICE
 CITY HALL - SEVENTH FLOOR
 455 NORTH MAIN STREET
 WICHITA, KANSAS 67202-1620
 (316) 268-4501

SHEET
162 of 388