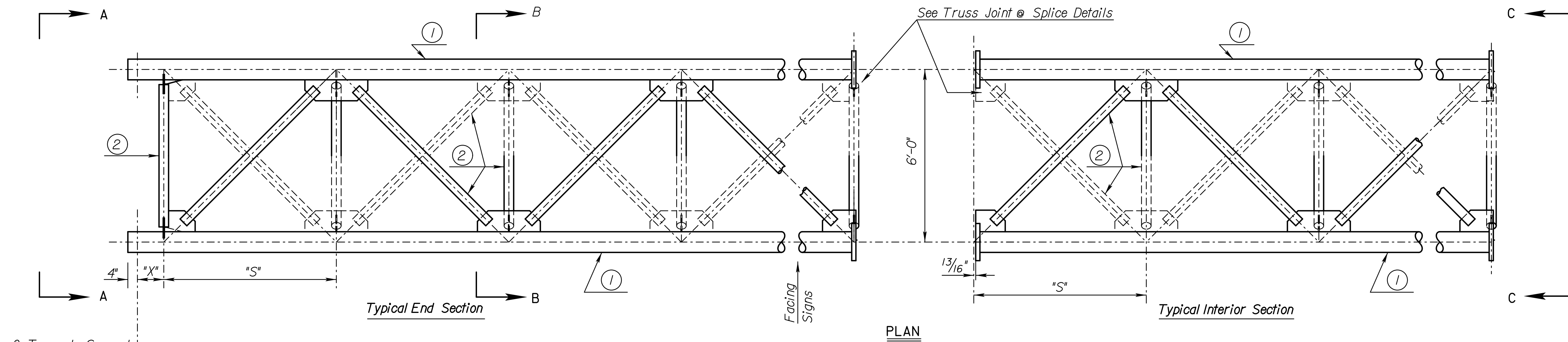


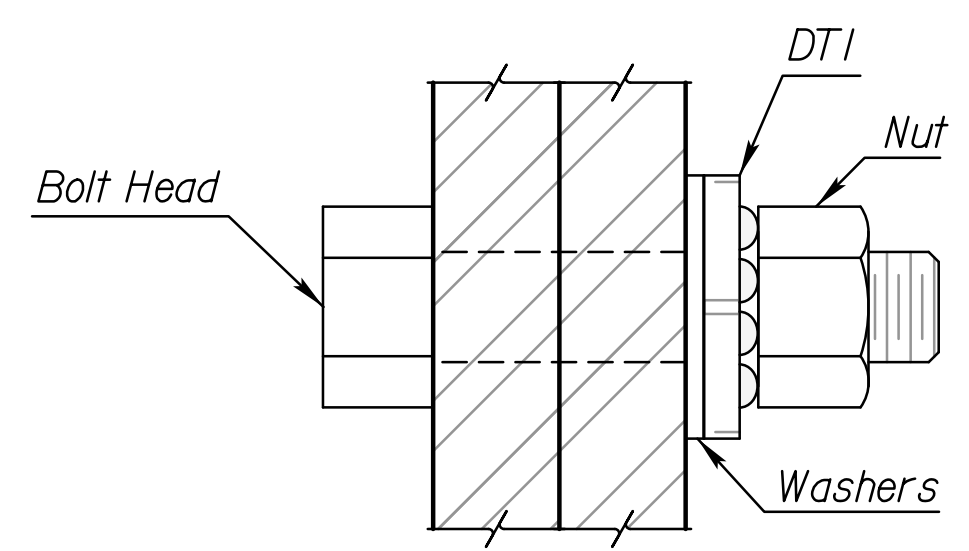
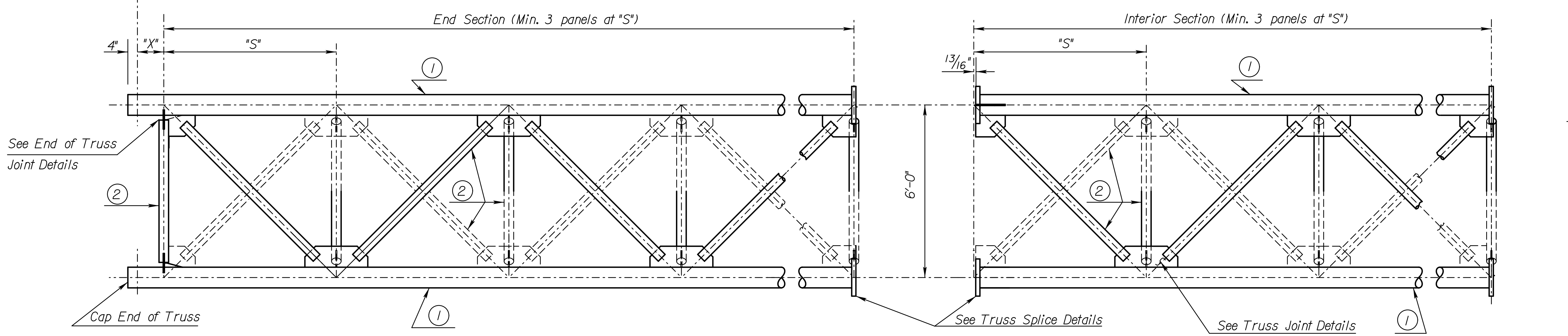
STATE	PROJECT NO.	YEAR	SHEET NO.	TOTAL SHEETS
KANSAS	472-85066	2014	232	388



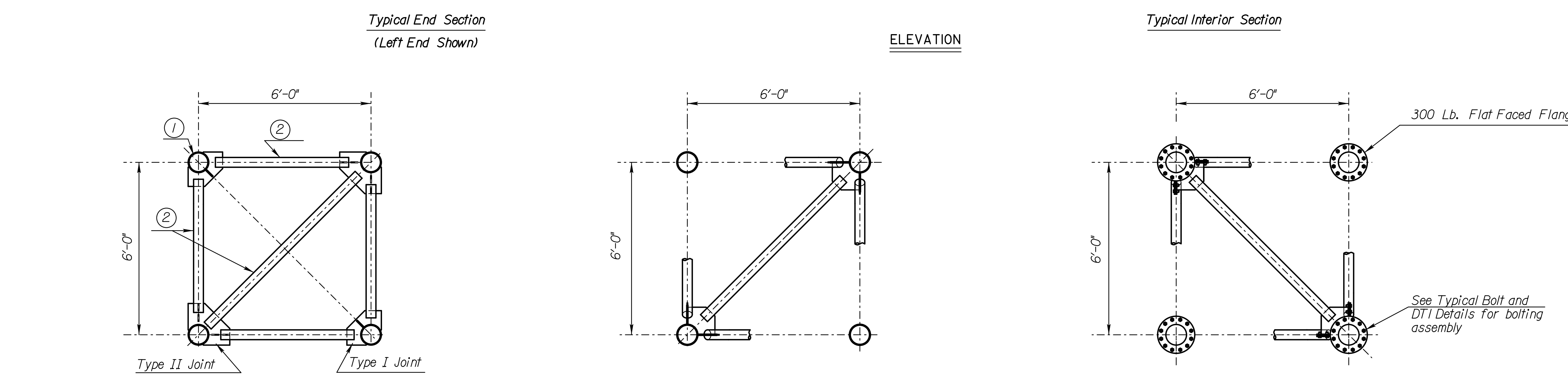
℄ Truss to Support Connection

Truss Length "L" & Support to ℄ Support

Note: Dashed lines used in plan and elevation views to distinguish bottom or rear portions of member (2).



TYPICAL BOLT AND DIRECT TENSION INDICATOR (DTI)



Note: See "Construction Layout" for wall thickness, "N", "S", "L" and "X" dimensions.  
Member (1) is 8.625" OD pipe  
Member (2) is 4.000" OD pipe

Std. Base File: Plot Location: Plotted By: cp File: A:\2009\09521\Overhead Signing - KD07\EN35700\POS15.dgn Plot Date: 30-DEC-2013 16:22

I		5/11/11	Add bolting callout	KMP	TLF
NO.		DATE	REVISIONS	BY	APP'D
KANSAS DEPARTMENT OF TRANSPORTATION					
STANDARD STRUCTURAL SIGN SUPPORTS					
SPAN TYPE OVERHEAD					
ALUMINUM TRUSS FRAMING					
PLAN AND DETAILS					
SL15IB-03					
FHWA APPROVAL		6-9-2011 APP'D		Terry L. Fleck	
DESIGNED	BFM	DETAILED	DDP	QUANTITIES	CADD
DESIGN CK.	RDH	DETAIL CK.	RDH	QUAN. CK.	CADD CK.