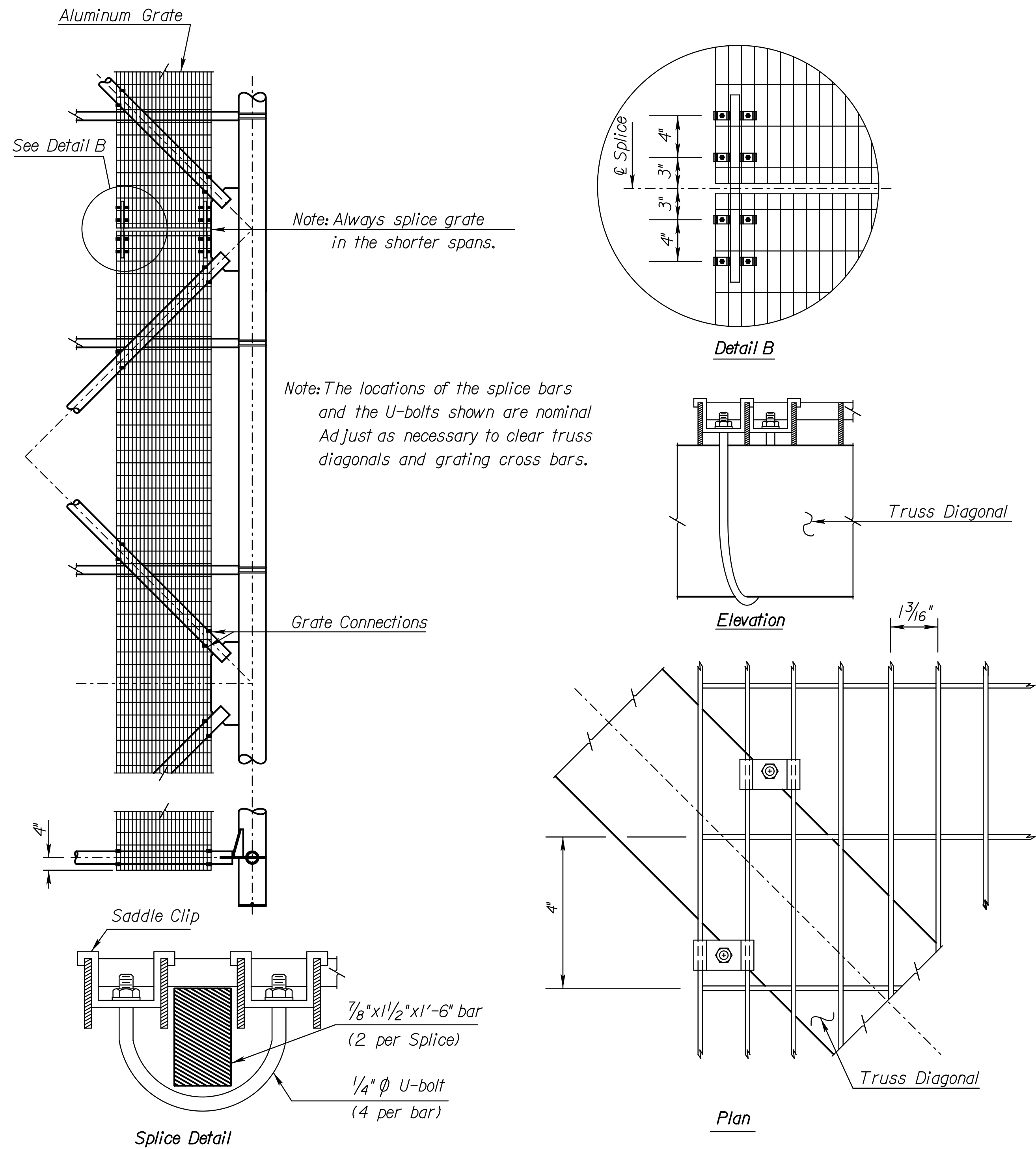


STATE	PROJECT NO.	YEAR	SHEET NO.	TOTAL SHEETS
KANSAS	472-85066	2014	237	388



INTERIOR GRATE CONNECTION DETAILS

Std. Base File: Plot Location: Plot Location: Plot Location:
 Plotted By: ap
 File: I:\2009\0952\Overhead Signing - KD07\EN35700\POS20.dgn

NO.	DATE	REVISIONS	BY	APP'D
1	5/11/11	Railing and exterior grate removed	KMP	TLF

KANSAS DEPARTMENT OF TRANSPORTATION
 STANDARD STRUCTURAL SIGN SUPPORT
 SPAN TYPE OVERHEAD
 ALUMINUM SIGN MOUNTING AND
 WALKWAY DETAILS
 SL15IB-09

DESIGNED	BFM	DETAILED	JD/RD	QUANTITIES	CADD	DJE
DESIGN CK.	KFH	DETAIL CK.	KFH	QUAN. CK.	CADD CK.	LES

8-17-93 APP'D Kenneth F. Hurst