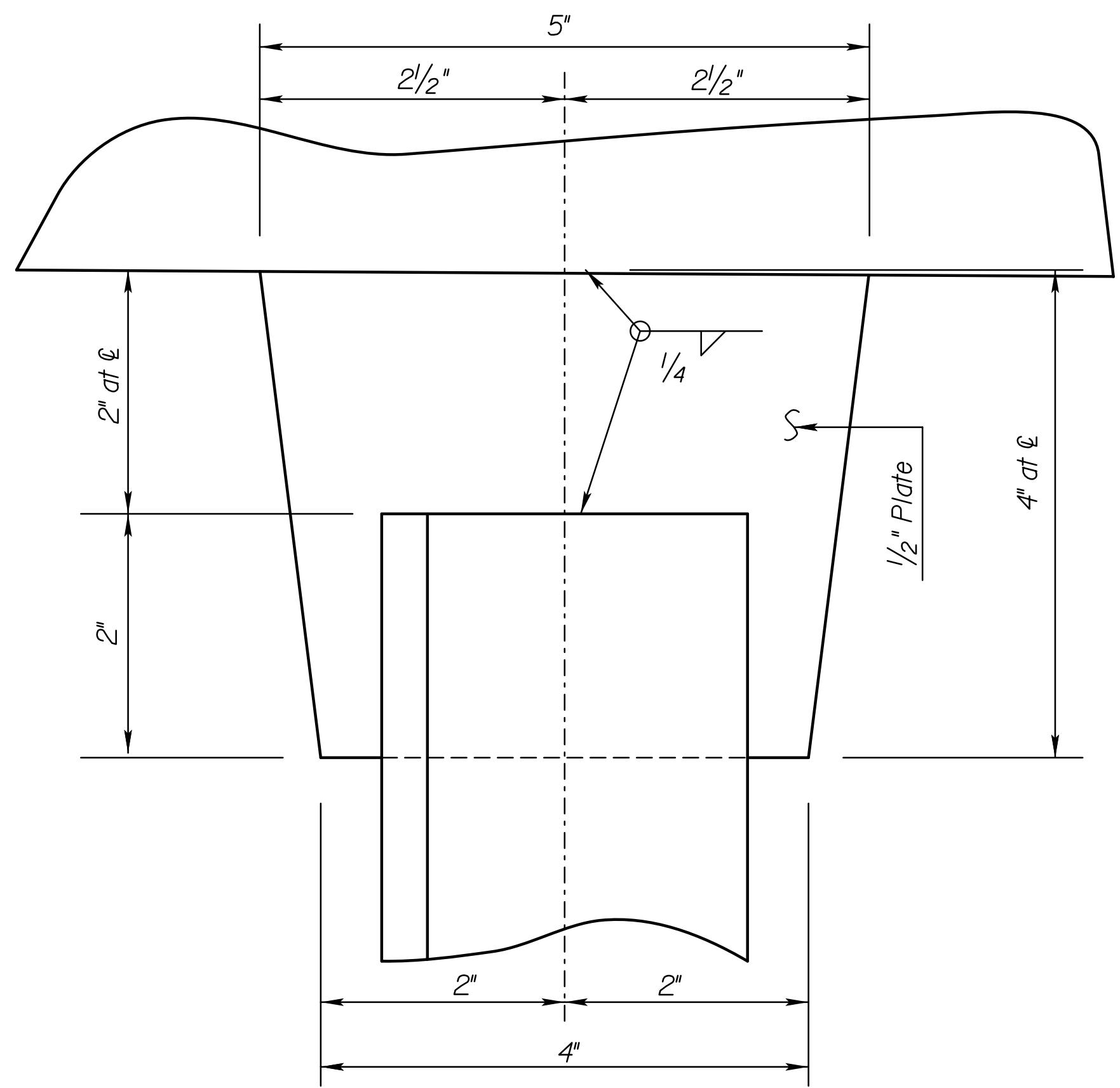
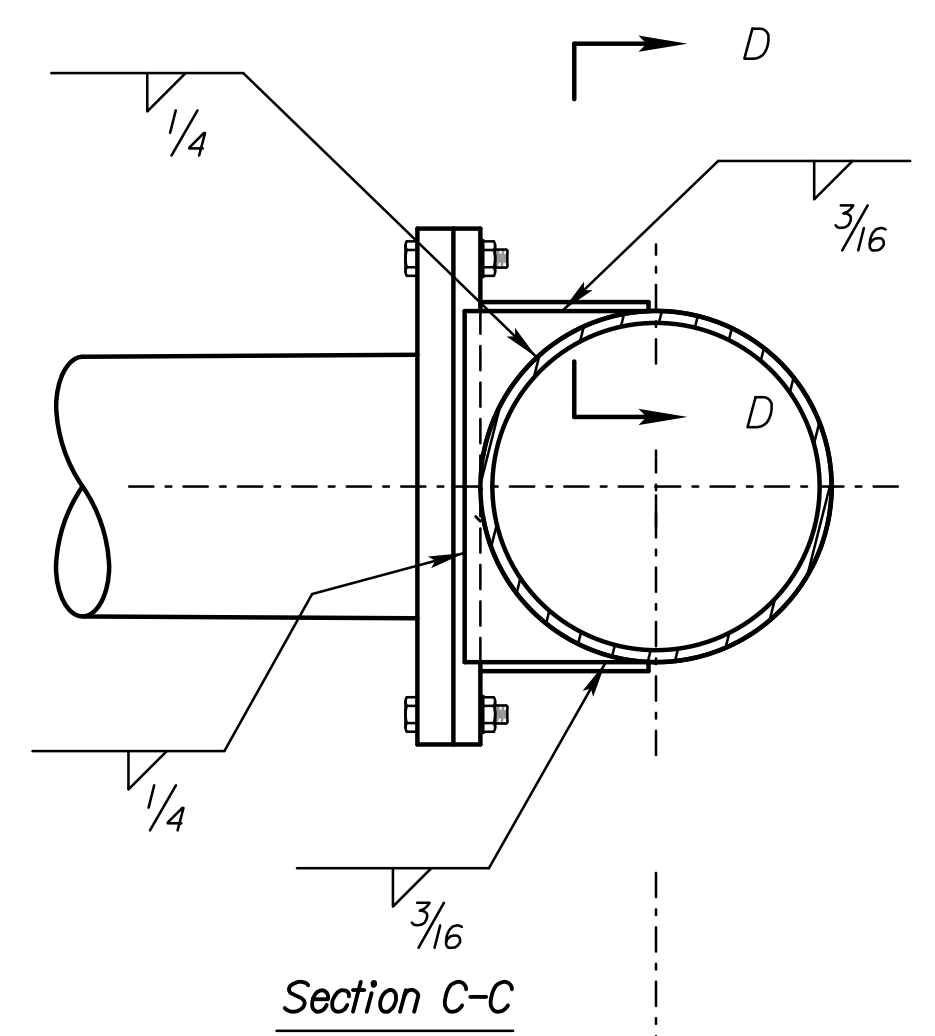


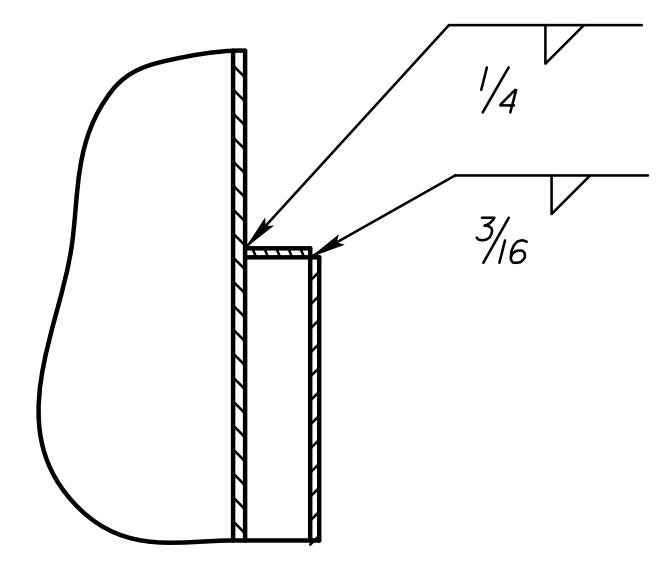
STATE	PROJECT NO.	YEAR	SHEET NO.	TOTAL SHEETS
KANSAS	472-85066	2014	242	388



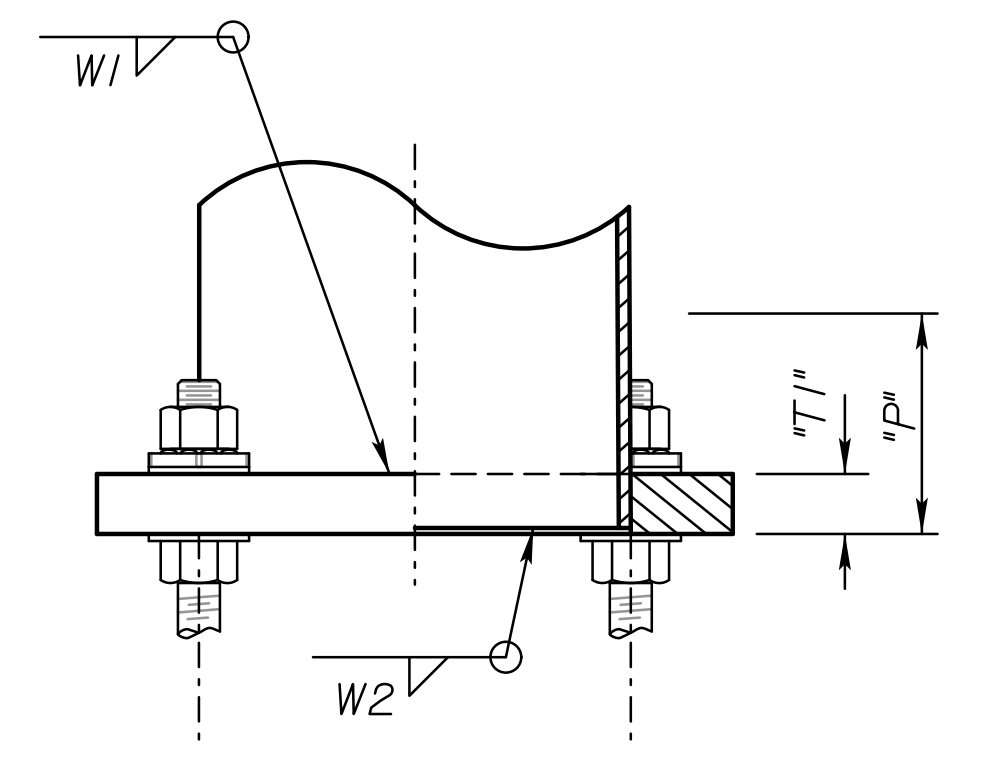
DETAIL D



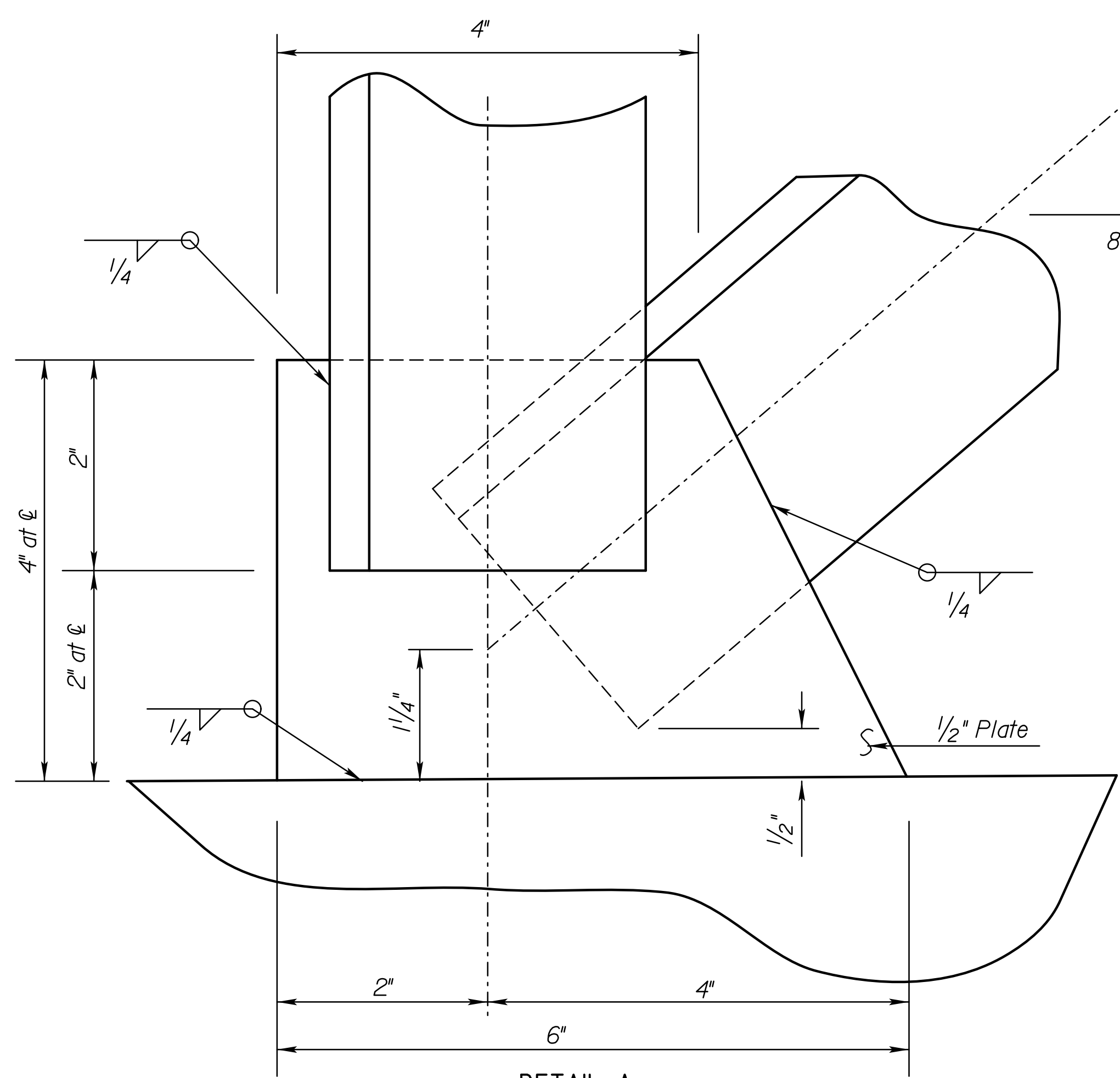
Section C-C



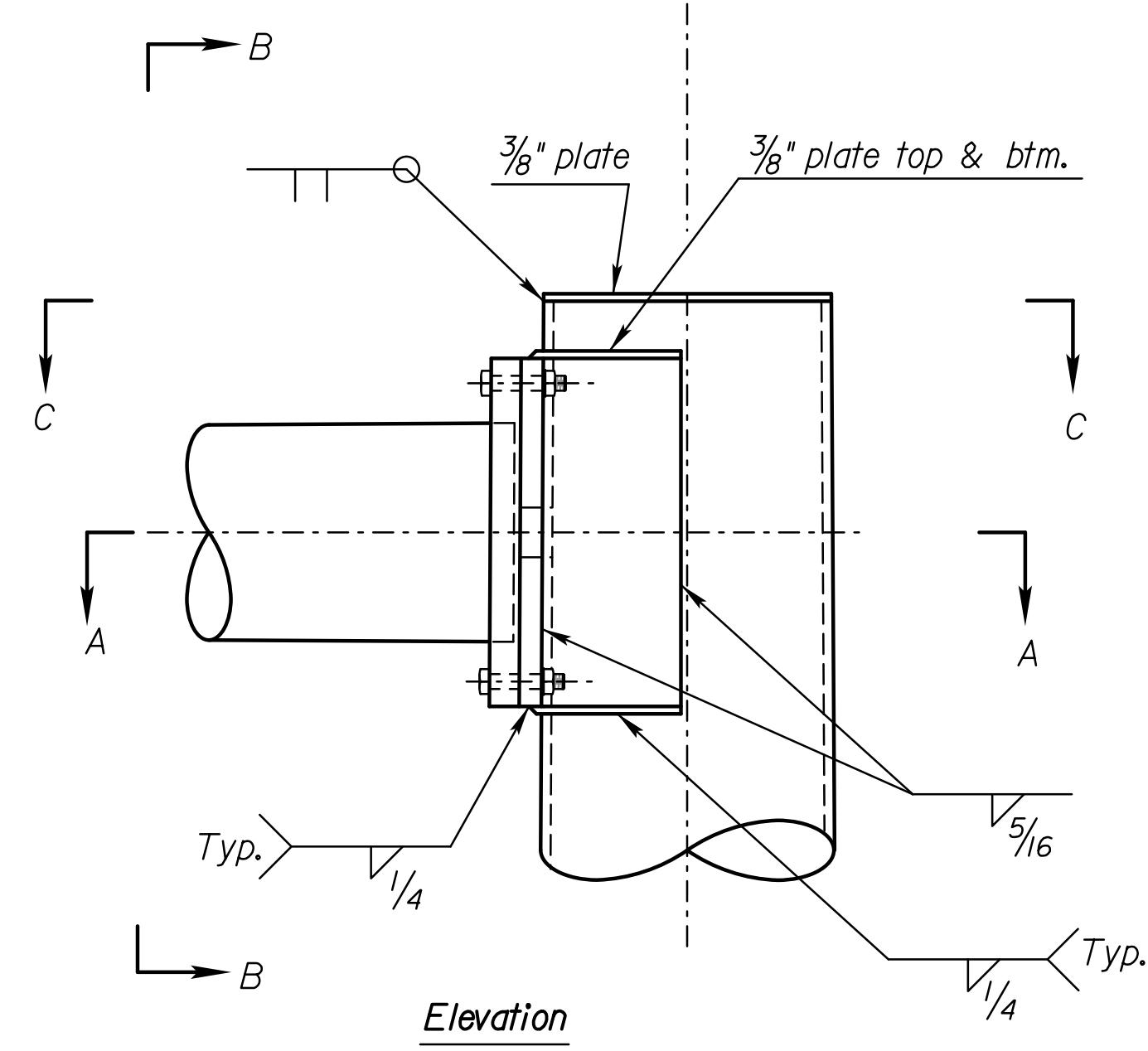
Section D-D



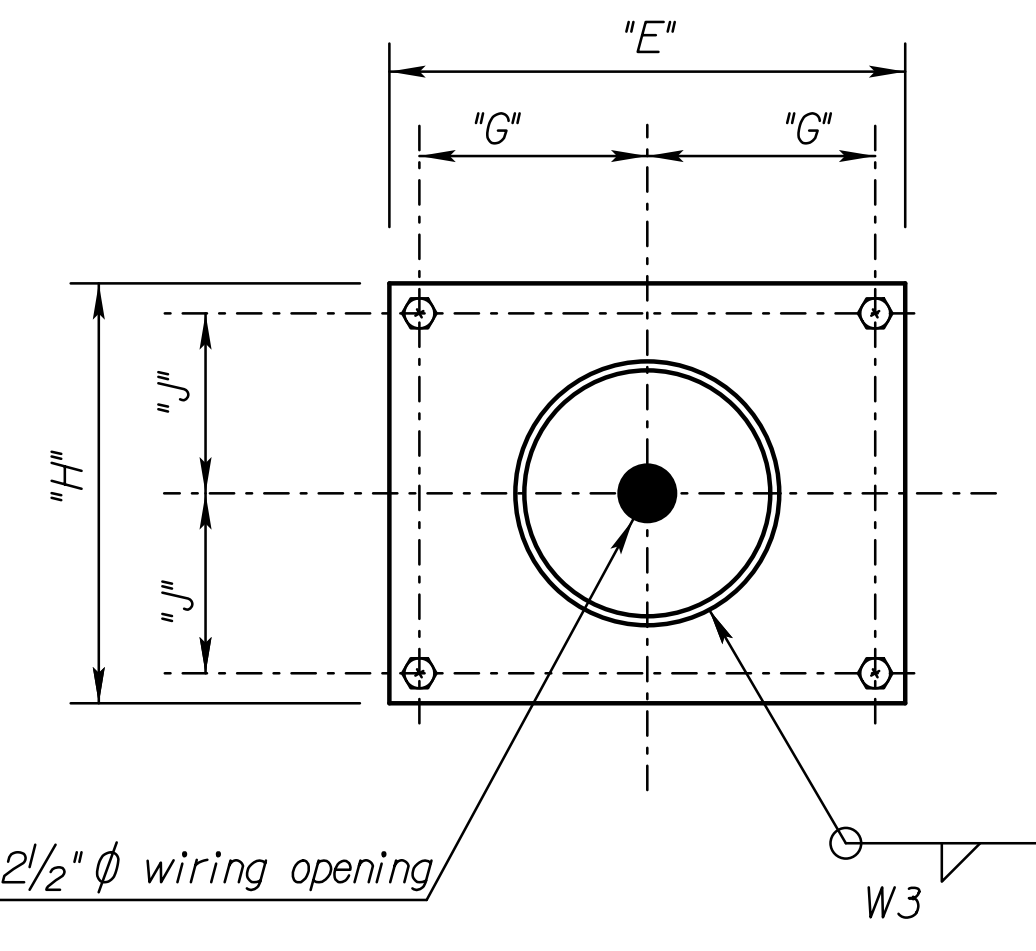
Elevation & Section



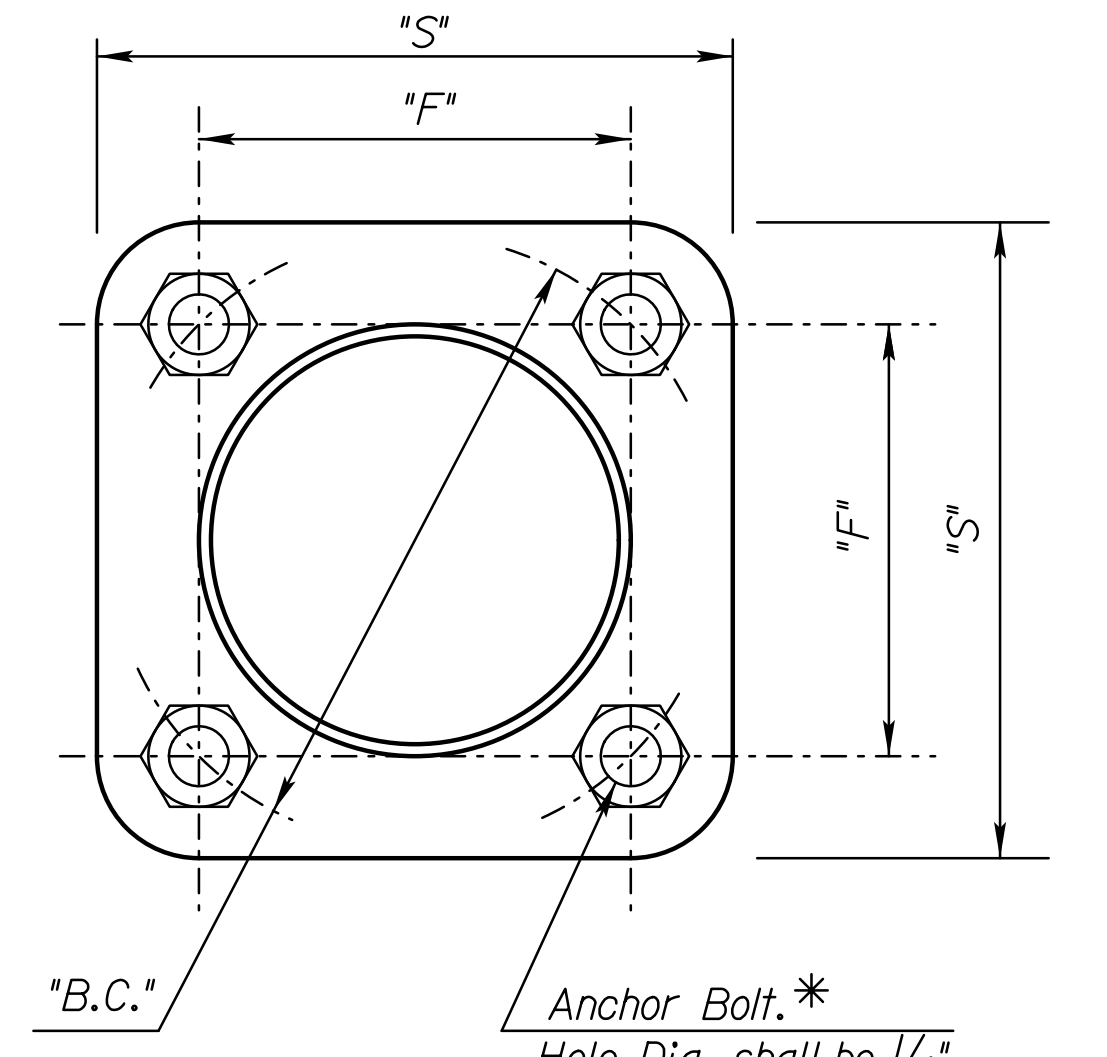
DETAIL A



Elevation



Section B-B

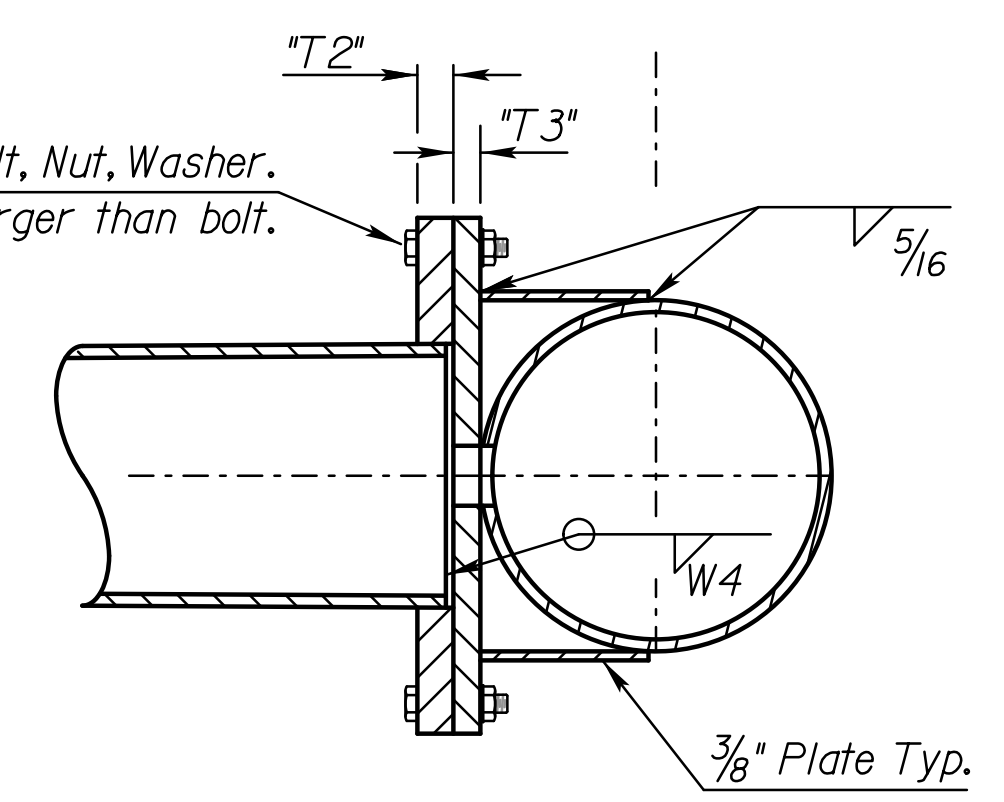


DETAIL C

Anchor Bolt.*
Hole Dia. shall be 1/4" larger than bolt.

Plan * Adhere to KDOT Standard Specification 1600 (Grade 55)

HS Hex Head Bolt, Nut, Washer.
Hole Dia. shall be 1/8" larger than bolt.



Section A-A

DETAIL B

Std. Base File: SLI52B-02.dgn
Plotted By: ap
File: I:\2009\0952\Overhead Signing - KDOT\EN35700\POS-25.dgn
Plot Date: 30-DEC-2013 16:22

DESIGNED		LES		APP'D		Terry L. Fleck	
DATE		REVISIONS		BY		APP'D	
1		5/11/11		Update anchor bolt callout		KMP TLF	
NO.		DATE		REVISIONS		BY APP'D	
DESIGN CK.		MAGI		DETAIL CK.		MAGI	
DESIGNED		LES		APP'D		Terry L. Fleck	
DATE		REVISIONS		BY		APP'D	
1		6-9-2011		Update anchor bolt callout		KMP TLF	
NO.		DATE		REVISIONS		BY APP'D	
DESIGN CK.		MAGI		DETAIL CK.		MAGI	

KANSAS DEPARTMENT OF TRANSPORTATION
STANDARD STRUCTURAL SIGN SUPPORTS
CANTILEVER TYPE OVERHEAD
STEEL SUPPORT DETAILS
TAPERED TUBE ALTERNATE
SLI52B-02