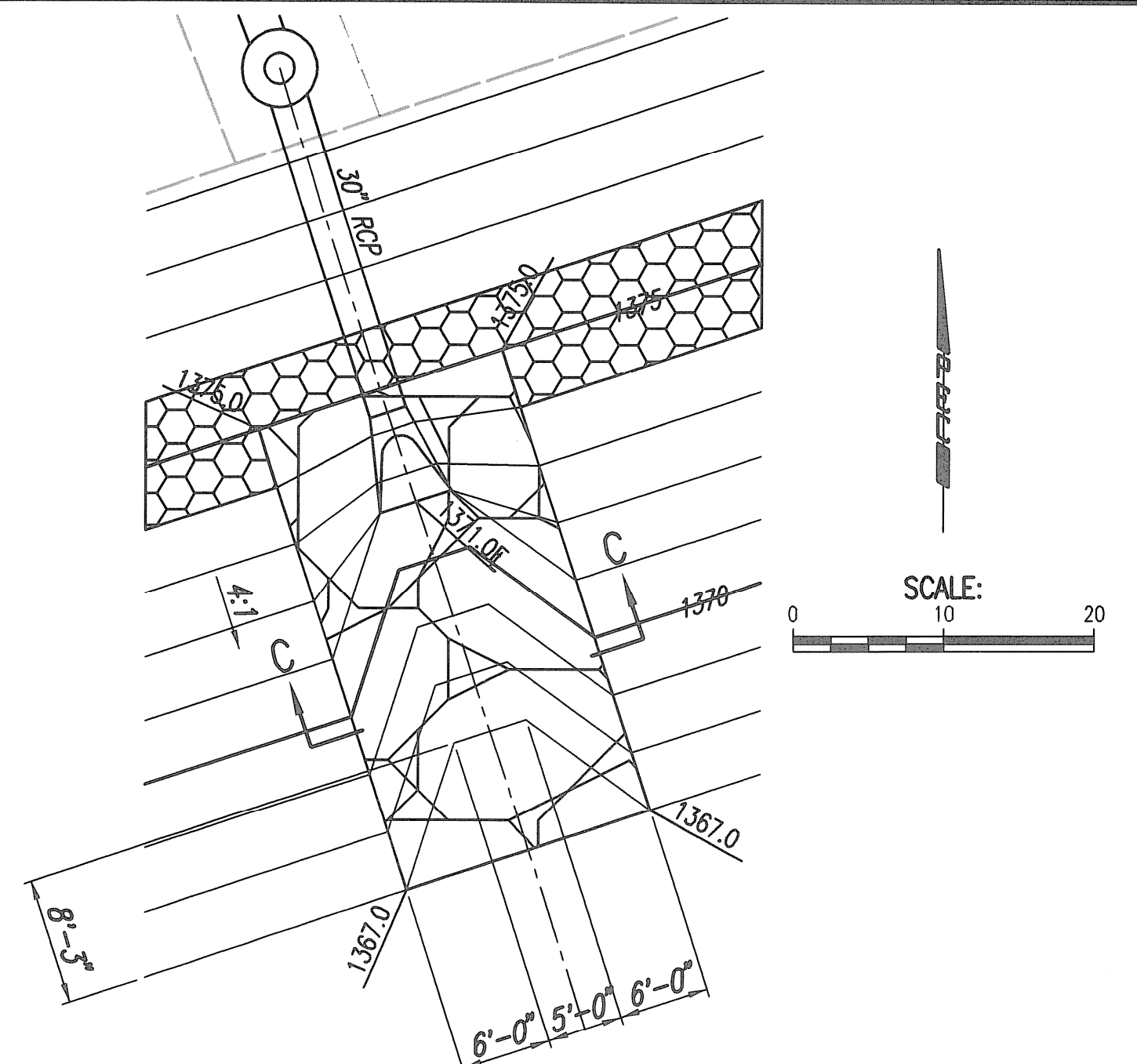
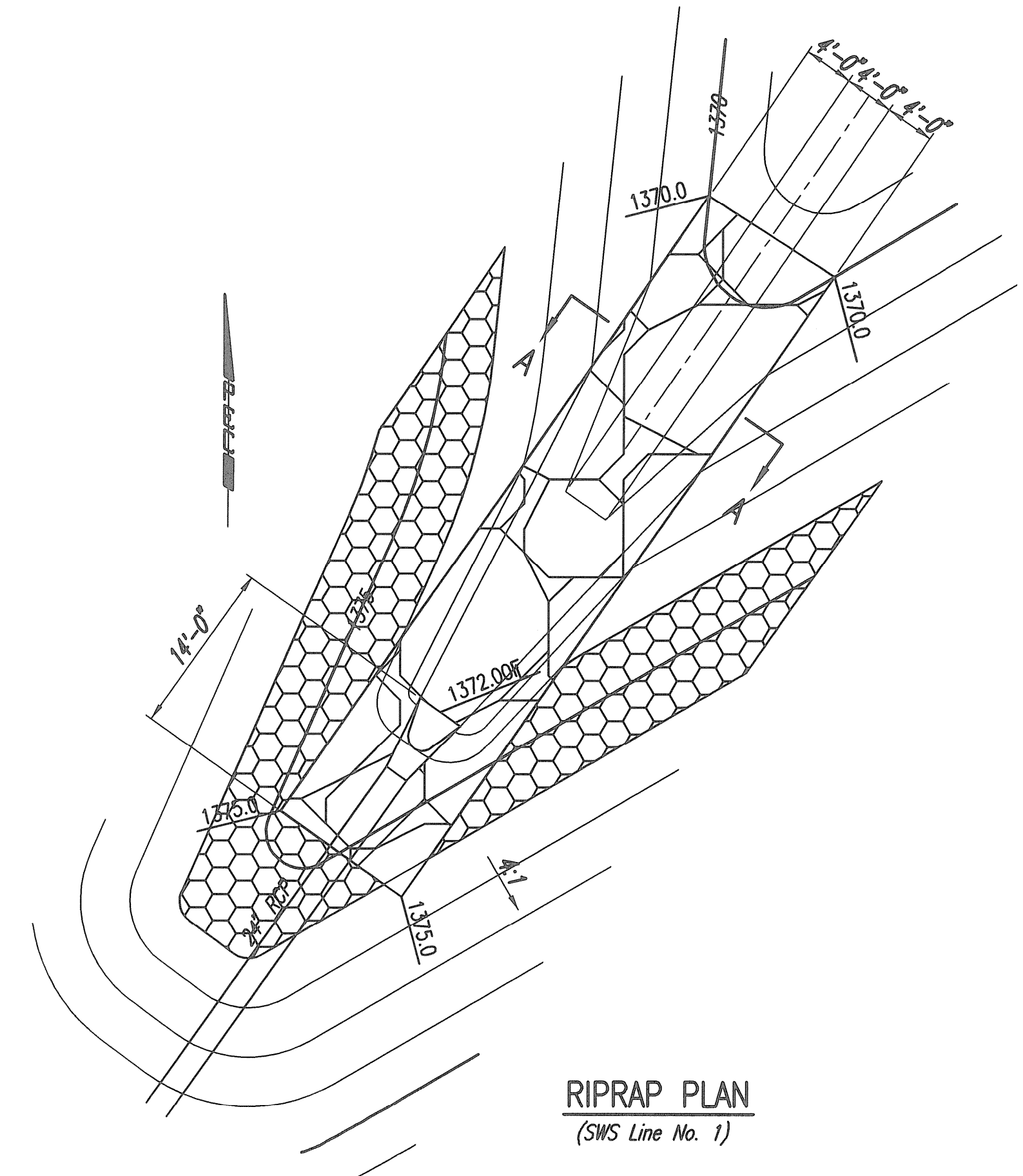
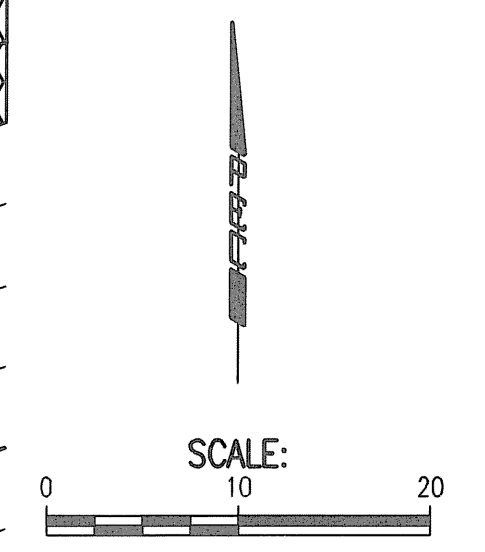


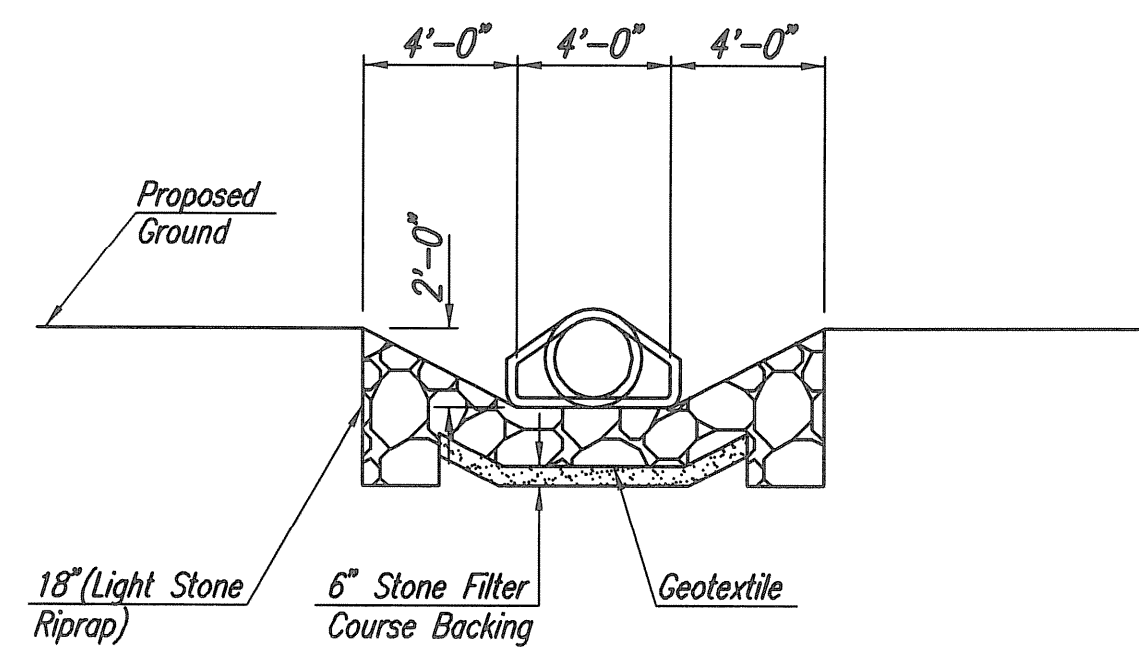
RIPRAP PLAN
(SWS Line No. 2)



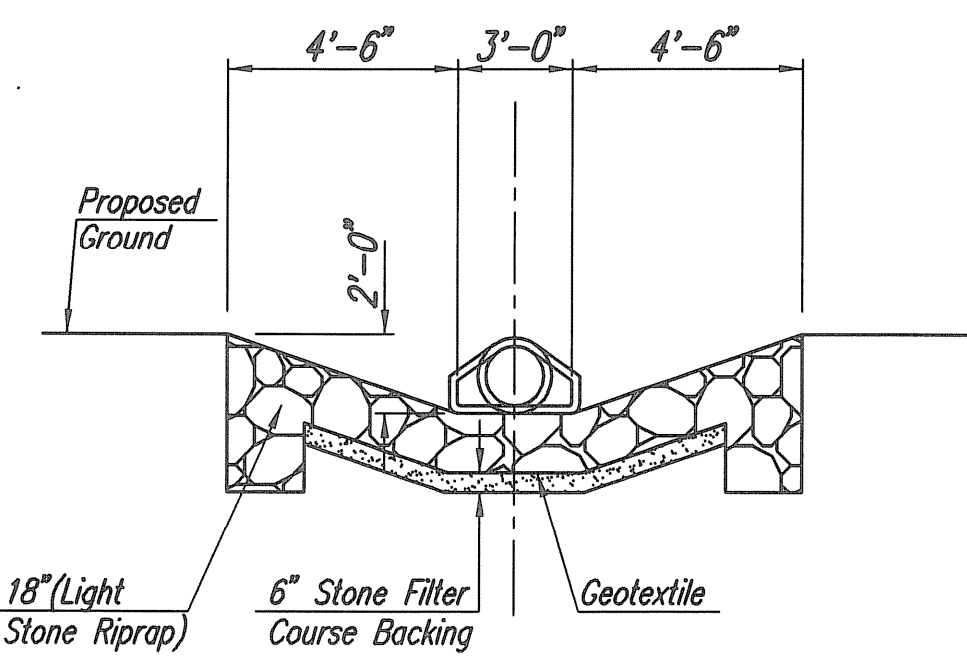
RIPRAP PLAN
(SWS Line No. 3)



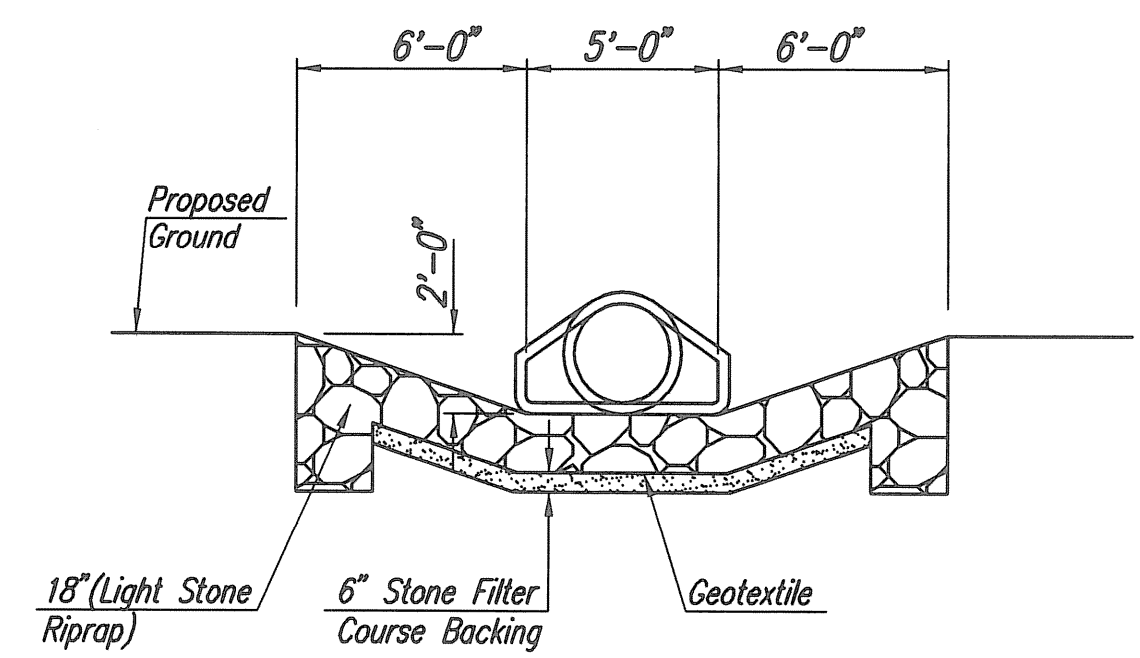
RIPRAP PLAN
(SWS Line No. 1)



SECTION A-A

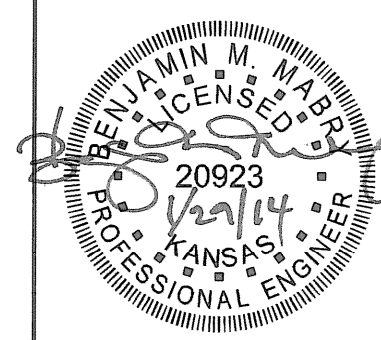


SECTION B-B



SECTION C-C

Sheet 01 of 28 - 2014 - 10-11-14 AM by BJS
 Storm SWS Line No. 1, 2, 3, 4, 5, 6, 7, 8, 9, 10, 11, 12, 13, 14, 15, 16, 17, 18, 19, 20, 21, 22, 23, 24, 25, 26, 27, 28, 29, 30, 31, 32, 33, 34, 35, 36, 37, 38, 39, 40, 41, 42, 43, 44, 45, 46, 47, 48, 49, 50, 51, 52, 53, 54, 55, 56, 57, 58, 59, 60, 61, 62, 63, 64, 65, 66, 67, 68, 69, 70, 71, 72, 73, 74, 75, 76, 77, 78, 79, 80, 81, 82, 83, 84, 85, 86, 87, 88, 89, 90, 91, 92, 93, 94, 95, 96, 97, 98, 99, 100
 City of Wichita, Kansas
 Project No. 468-84634
 Date: 2013-09-23



No.	Revision	By	Date

GLEN MEADOWS 2ND ADDITION
STORM WATER DRAIN NO. 359
RIPRAP PLANS
 GARY JANZEN, P.E. - CITY ENGINEER
 CITY OF WICHITA PROJECT NO. 468-84634

IPEC PROFESSIONAL ENGINEERING CONSULTANTS, P.A.
 303 SOUTH TOPEKA WICHITA, KS 67202
 316-262-2691 www.pec1.com

Designed by	BMM	Job No.	35-13438-002	Sht. 23 of 28
Drawn by	BJS	Date	September 2013	