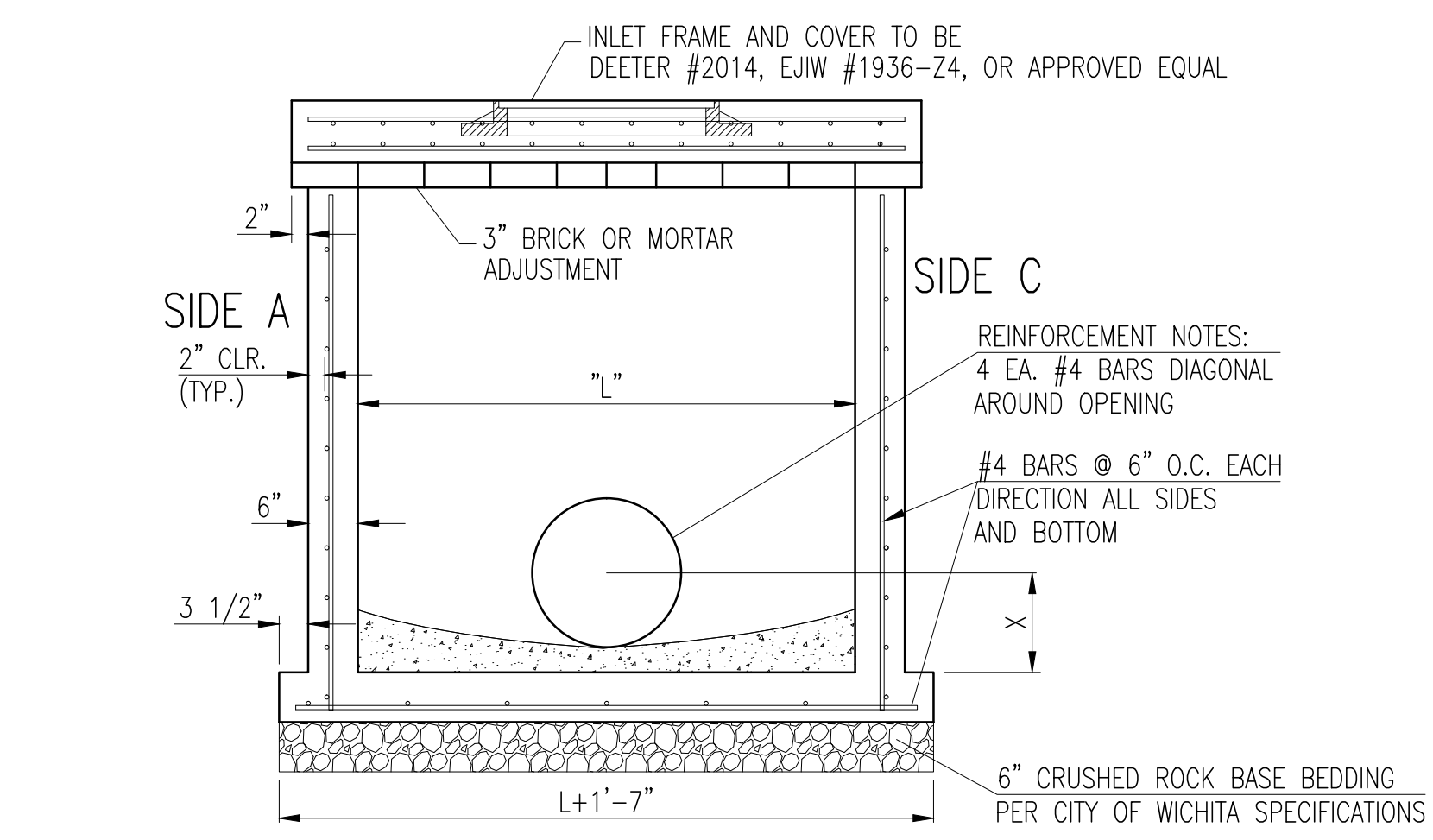


BAR SCHEDULE		
INLET OPENING	B1 BARS	SPACING
5'-0"	#4	4"
10'-0"	#6	3.5"

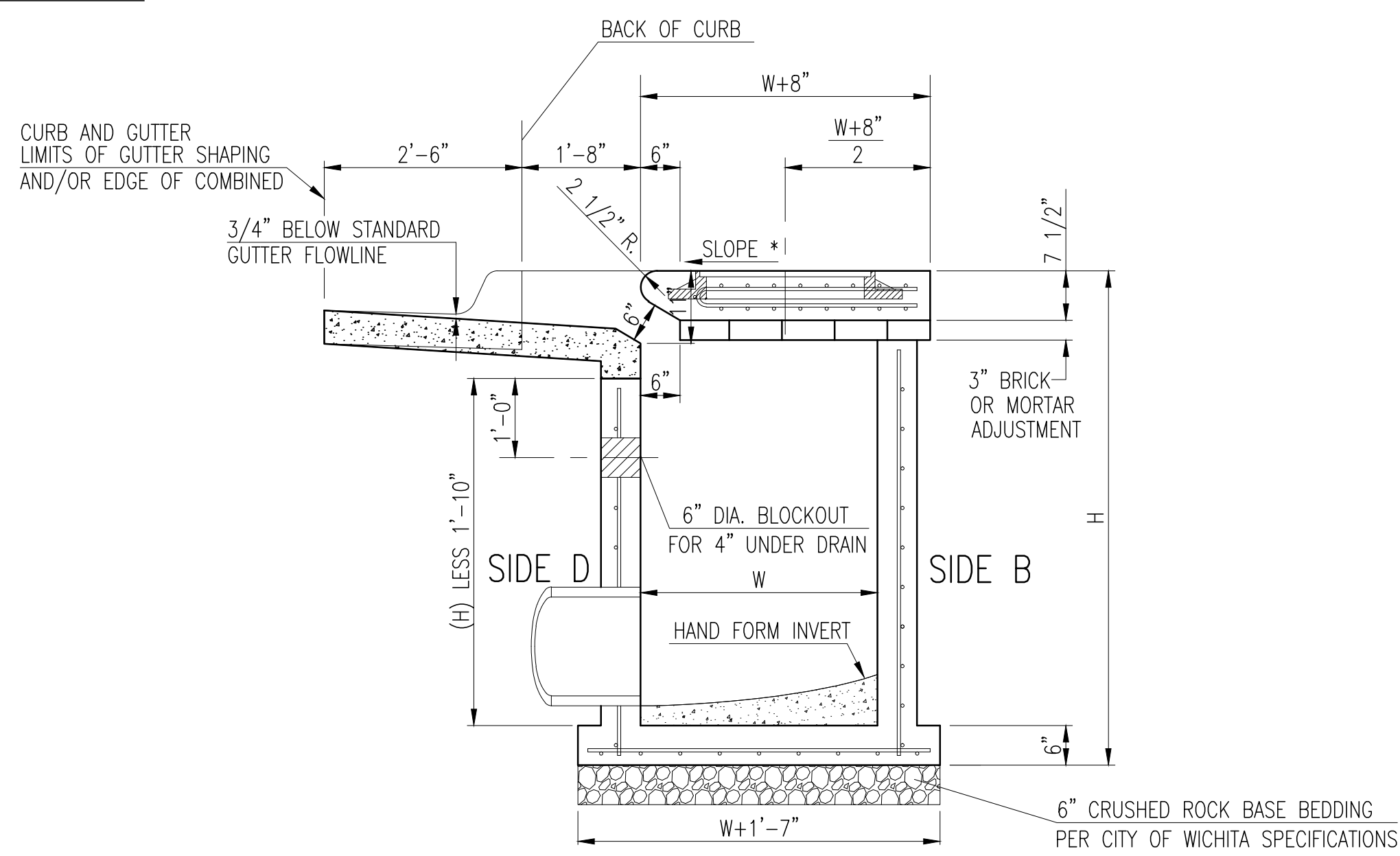
PRECAST CURB INLET WIDTHS					
W	PRE-CAST TOP SIZE			PIPE DIA.**	
	WIDTH	LENGTH	TOP		
3'-0"	W+8"	L+1'-4"	7 1/2"	21" & SMALLER	
4'-0"	W+8"	L+1'-4"	7 1/2"	24" & 30"	
5'-0"	W+8"	L+1'-4"	7 1/2"	36" & 42"	
6'-0"	W+8"	L+1'-4"	7 1/2"	48" & 54"	
7'-0"	W+8"	L+1'-4"	7 1/2"	60" & 66"	

\*\* FOR PIPES PERPENDICULAR TO INLET WALL

- GENERAL NOTES**
- CONCRETE TOPS TO BE INSTALLED ON THIN MORTAR CUSHION TO INSURE FULL SUPPORT ALONG BRICK. CONCRETE TOPS MAY BE CAST IN PLACE OR PRECAST. CONCRETE USED FOR INLET CONSTRUCTION SHALL CONFORM TO CITY OF WICHITA SPECIFICATIONS FOR CONCRETE PAVEMENT MIX.
  - CONTRACTOR SHALL HAVE THE OPTION OF CONSTRUCTING 8" BRICK MASONRY WALLS BETWEEN THE CONCRETE INLET BASE AND TOP OF THIS INLET WHEN W=5'-0" AND H=7'-0" OR LESS.
  - INLET INVERT SHALL BE SHAPED WITH 8 SACK SAND MIX CONCRETE TO CREATE FLOW CHANNELS AND TO INCREASE HYDRAULIC EFFICIENCY SUCH THAT THE INLET WILL BE SELF CLEANING BETWEEN ALL INLET AND/OR OUTLET PIPES.
  - THE ENDS OF ALL PIPES INSTALLED IN INLETS SHALL BE CUT OFF FLUSH WITH THE INSIDE FACE OF THE INLET WALL.
  - INLET FRAME AND COVER TO BE DEETER #2014, EJIW #1936-24, OR APPROVED EQUAL, SEE SW-303.
  - CONTRACTOR SHALL REMOVE LIFTING HOOKS AFTER INSTALLATION. RECESSES IN INLET WALL SHALL BE GROUTED FLUSH TO THE INLET WALL WITH HYDRAULIC CEMENT AFTER THE INLET IS IN PLACE. LIFTING HOLES THRU THE INLET WALL WILL NOT BE ACCEPTED.

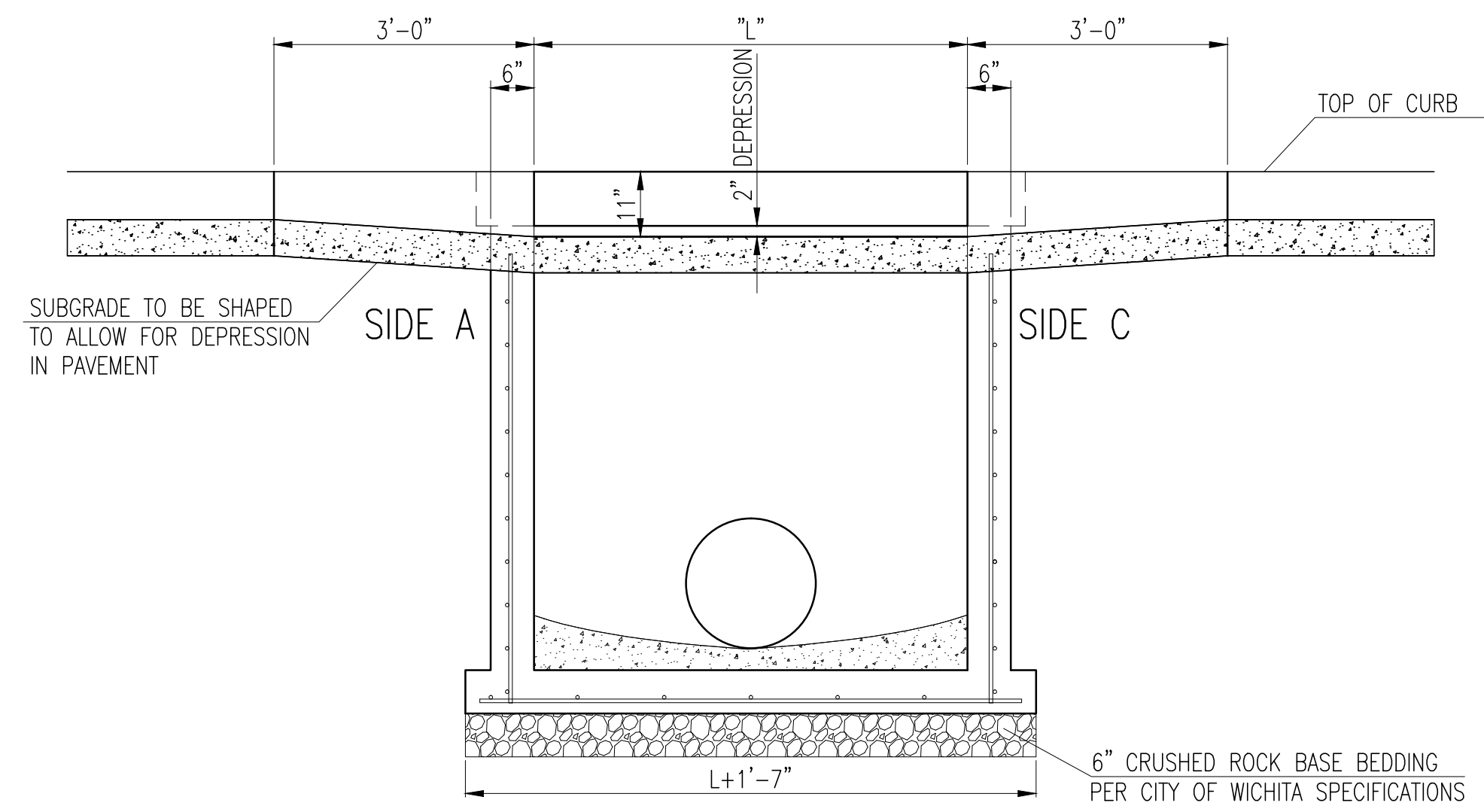
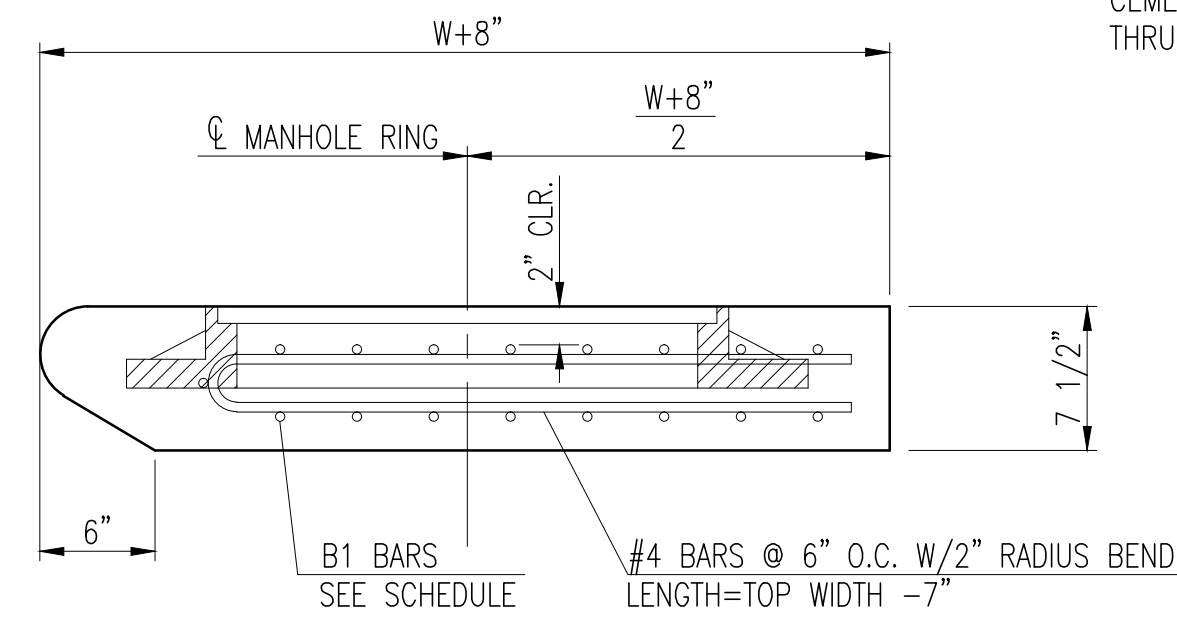


SECTION "A-A"

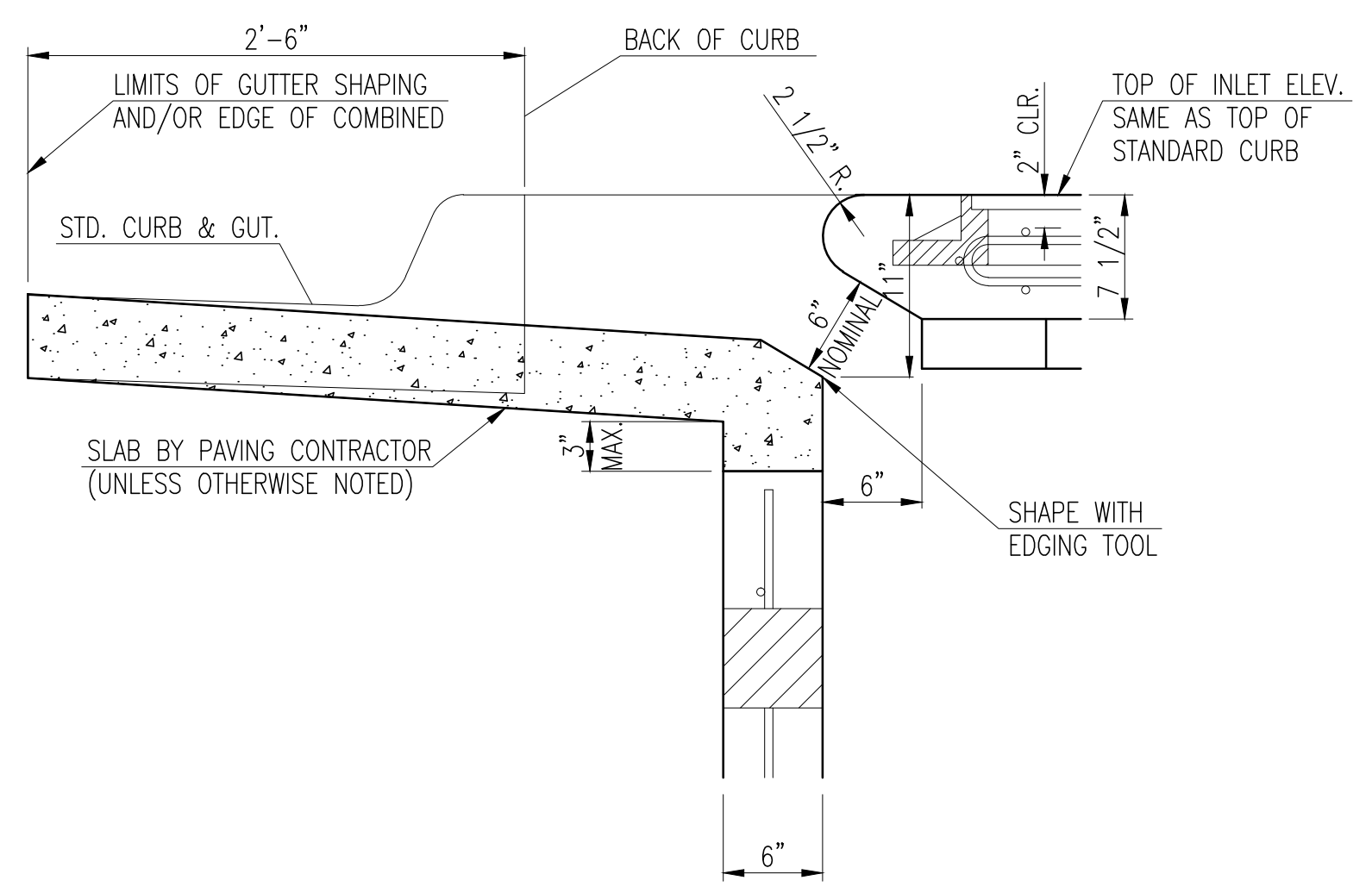


SECTION "C-C"

NOTES:  
\* SLOPE OF INLET TOP TO MATCH SIDEWALK OR PARKING SLOPES WITHIN LIMITS INDICATED.



SECTION "B-B"



SECTION "D-D"



**STANDARD TYPE 1A CURB INLET**  
5'-0" OR 10'-0" OPENING

CITY ENGINEER  
**GARY JANZEN, P.E., L.S.**

PROJECT NUMBER	OCA NUMBER	DATE
		11/2010

CITY ENGINEER'S OFFICE  
CITY HALL - SEVENTH FLOOR  
455 NORTH MAIN STREET  
WICHITA, KANSAS 67202-1620  
(316) 268-4501

DESIGN	DRAWN

SHEET  
- of -

SOUTHFOK COMMERCIAL ADDITION  
 PAVING & DRAINAGE IMPROVEMENTS  
 TYPE 1-A INLET 5'-0"  
 CITY OF WICHITA, KANSAS  
 GARY JANZEN, P.E. - CITY ENGINEER  
 PROJECT NO. 468-84826 OCA NO. (751507)  
 PROJECT NO. 472-85050 OCA NO. (766279)

POE & ASSOCIATES, INC.  
 CONSULTING ENGINEERS  
 5940 E. Central, Suite 200 ■ Wichita, KS 67208-4242  
 Phone 316.685-1111 ■ FAX 316.685-4444

**FINAL**

Engineer: T. AUSTIN	By	Approved
Designer: M. TUCKER	Date	
Post Job No.: 1558	No.	
Date: JANUARY 2014		

Sheet  
18 of 43