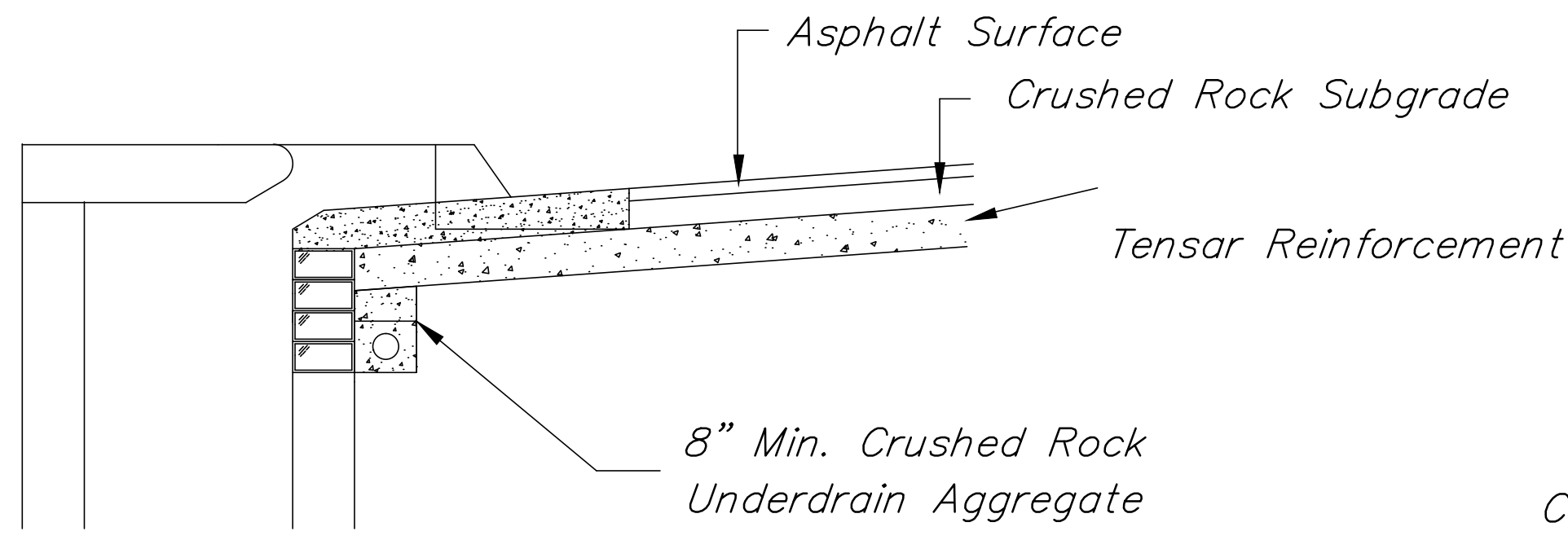


8" Min. Crushed Rock Underdrain Aggregate

(Min. 16 Perforations Per Lin. Ft. @ 1/4" Dia.)  
Perforations To Be on Bottom Half

SECTION A-A

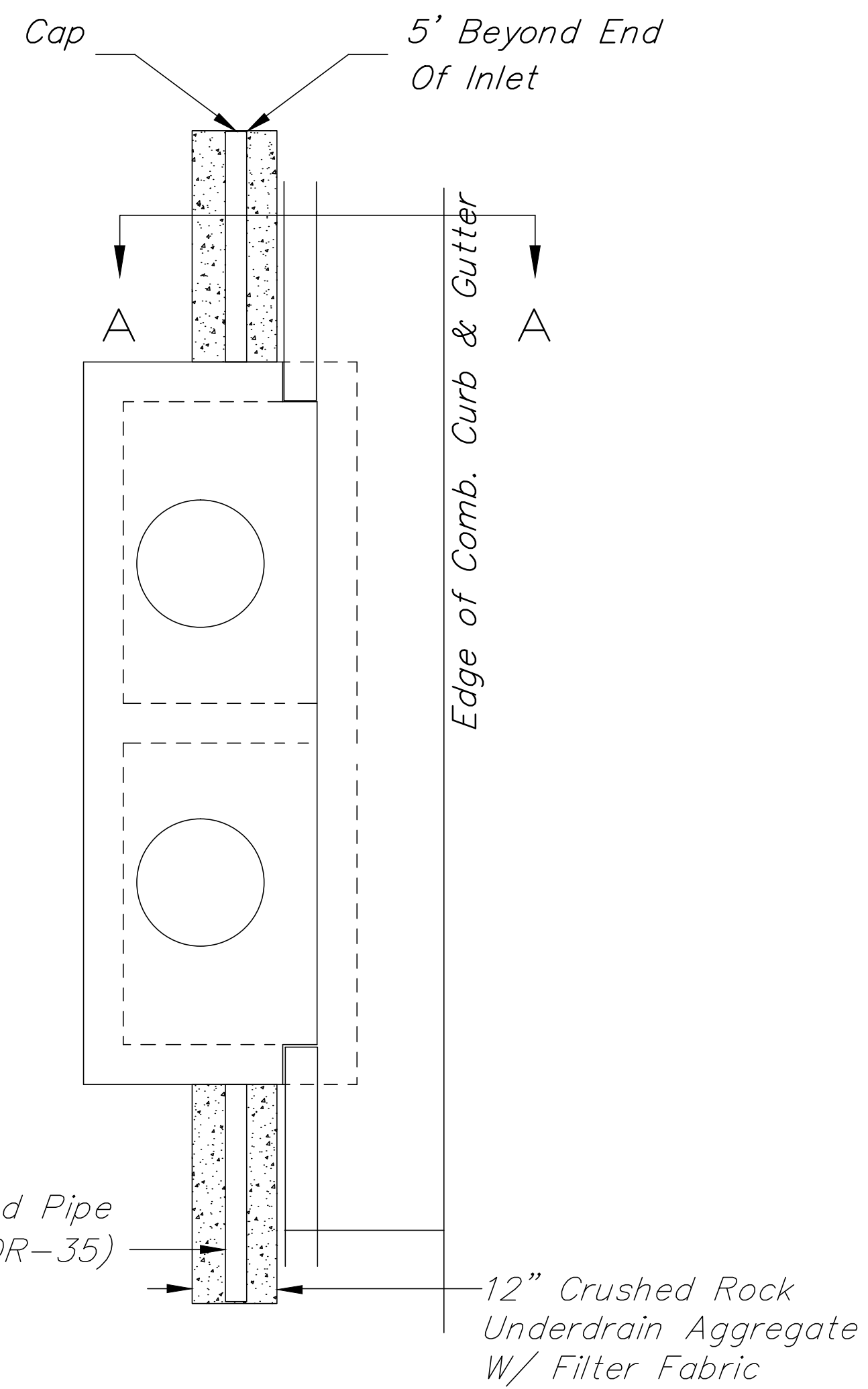


8" Min. Crushed Rock Underdrain Aggregate

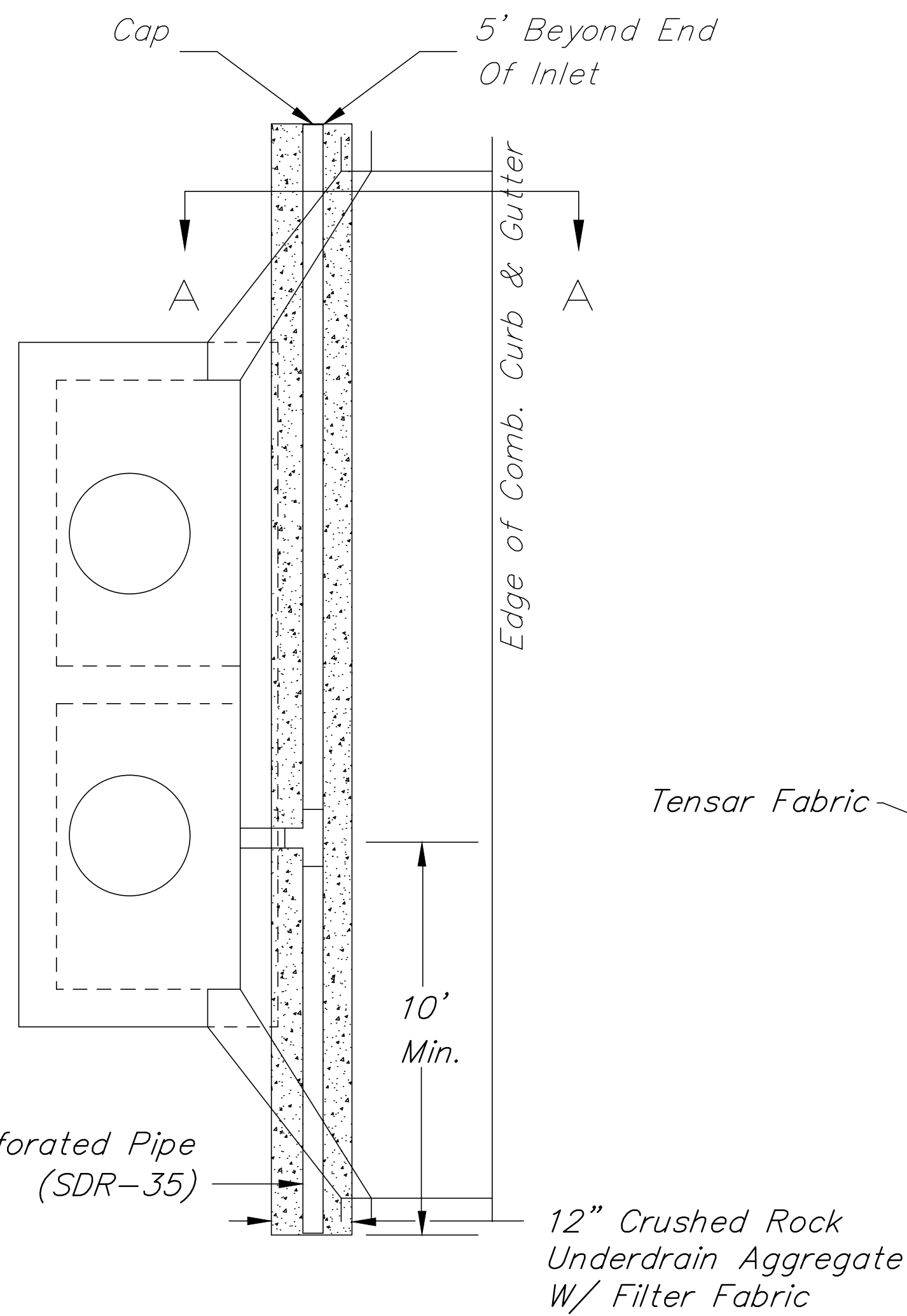
CRUSHED ROCK GRADATION REQUIREMENTS  
Percent of Aggregate Retained

1 1/2"	0
3/4"	15-60
# 4	40-80
#40	74-92
P-200	4-12

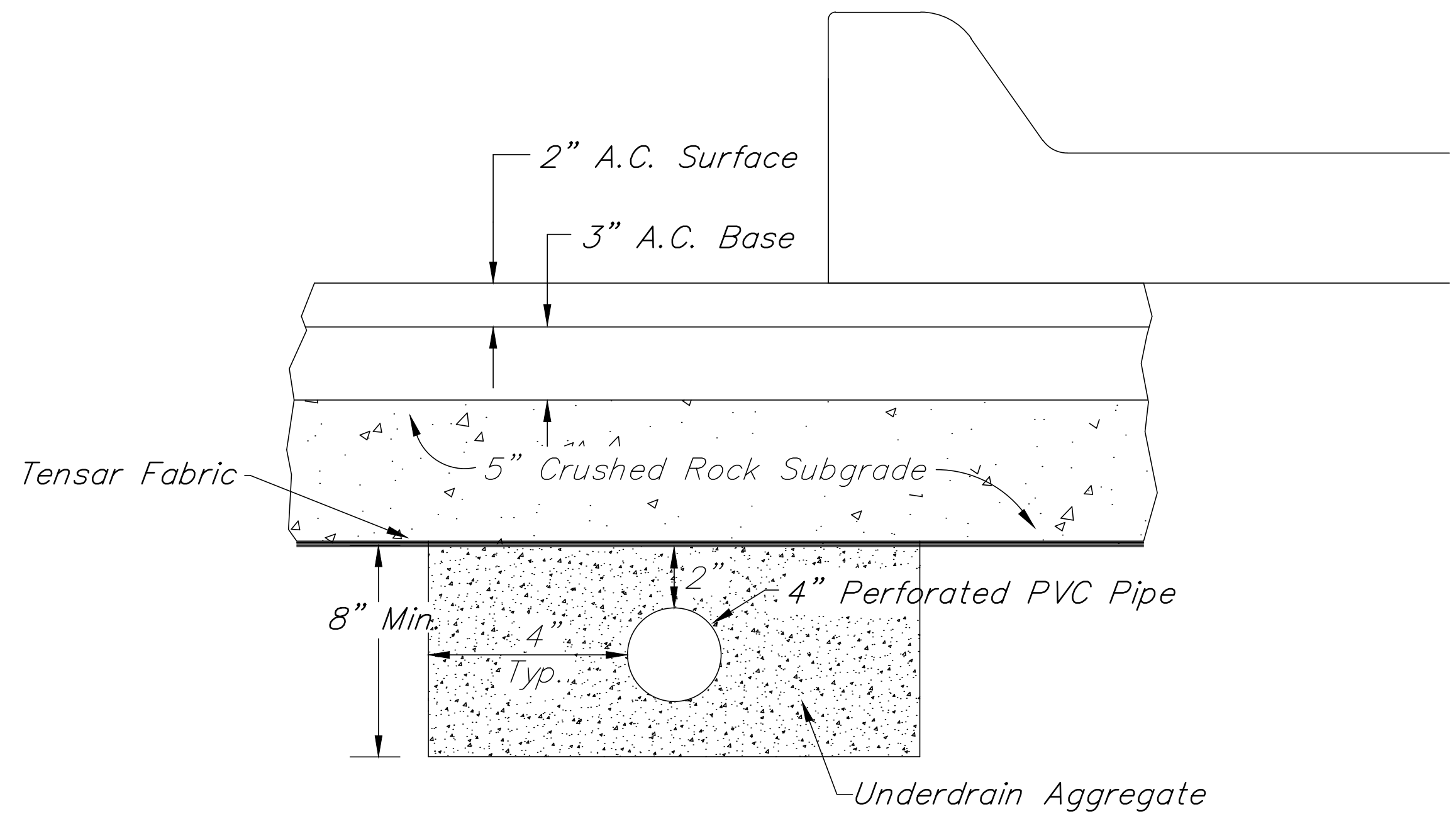
Rock Quality Shall Be The Same As Specified For Coarse Aggregate For Asphalt Concrete Mixes.



Type 1 & 2 Inlet



Type 1-A Inlet



NOTE: Place 4" PVC Perforated Pipe at all drainage sump locations.  
Cost of Underdrain System to be incidental to the Reinforced Crushed Rock Subgrade.

PAVEMENT UNDERDRAIN DETAIL

PAVDRDN1.DWG  
REV. 11-22-00, MCG

THE CITY OF WICHITA  
CITY ENGINEER'S OFFICE  
CITY HALL - SEVENTH FLOOR  
455 NORTH MAIN STREET  
WICHITA, KANSAS 67202  
(316) 268-4501  
(316) 268-4114 FAX

PAVEMENT UNDERDRAIN DETAIL	
GARY JANZEN P.E. - CITY ENGINEER	
PROJECT NUMBER	INDEX CODE
DATE MAR 96	

SOUTH FORK COMMERCIAL ADDITION  
 PAVING & DRAINAGE IMPROVEMENTS  
 PAVEMENT UNDERDRAIN DETAIL  
 CITY OF WICHITA, KANSAS  
 GARY JANZEN, P.E. - CITY ENGINEER  
 PROJECT NO. 468-84826 OCA NO. (751507)  
 PROJECT NO. 472-85050 OCA NO. (766279)

POE & ASSOCIATES, INC.  
 CONSULTING ENGINEERS  
 5940 E. Central, Suite 200 ■ Wichita, KS 67208-4242  
 Phone 316.685-1111 ■ FAX 316.685-4444

**POE**

**FINAL**

Engineer: T. AUSTIN	Sheet
Designer: M. TUCKER	21 of 43
Post Job No.: 1558	
Date: JANUARY 2014	