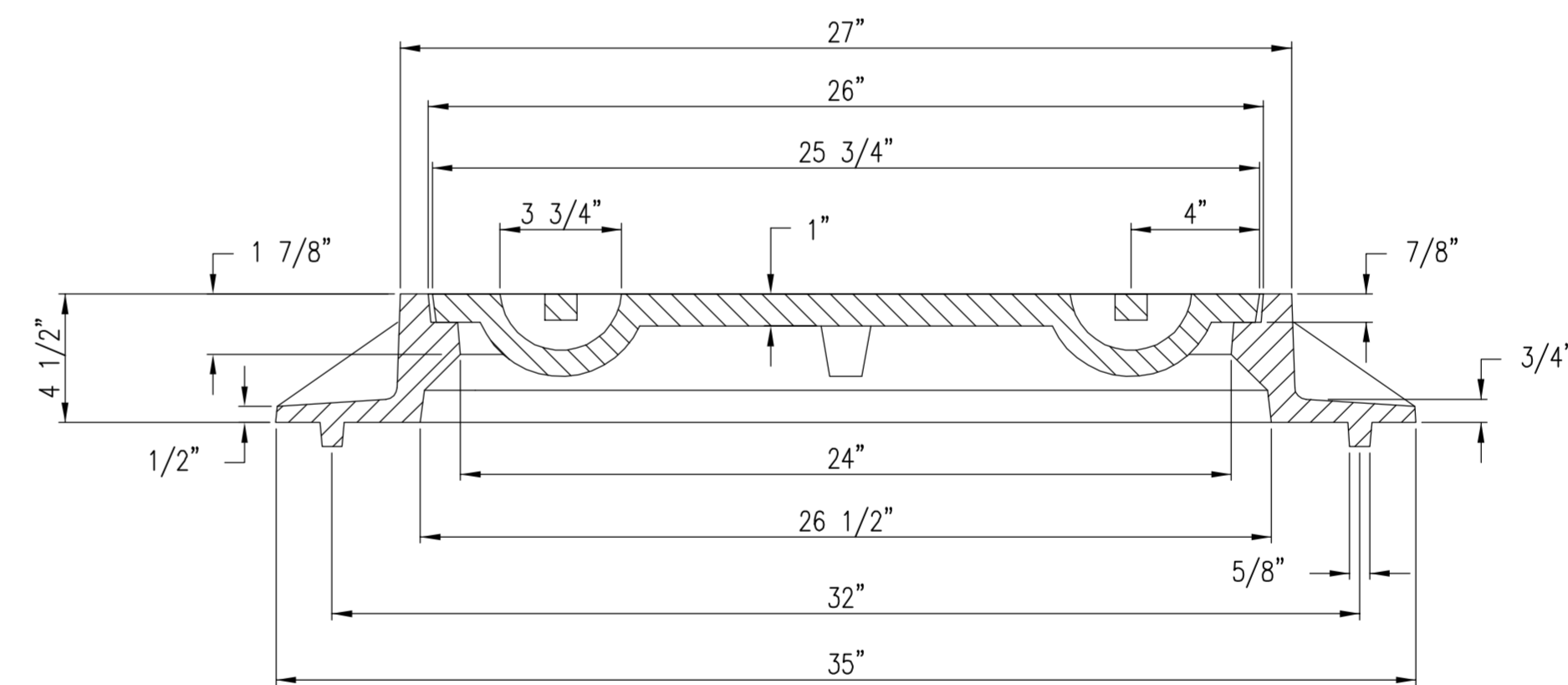
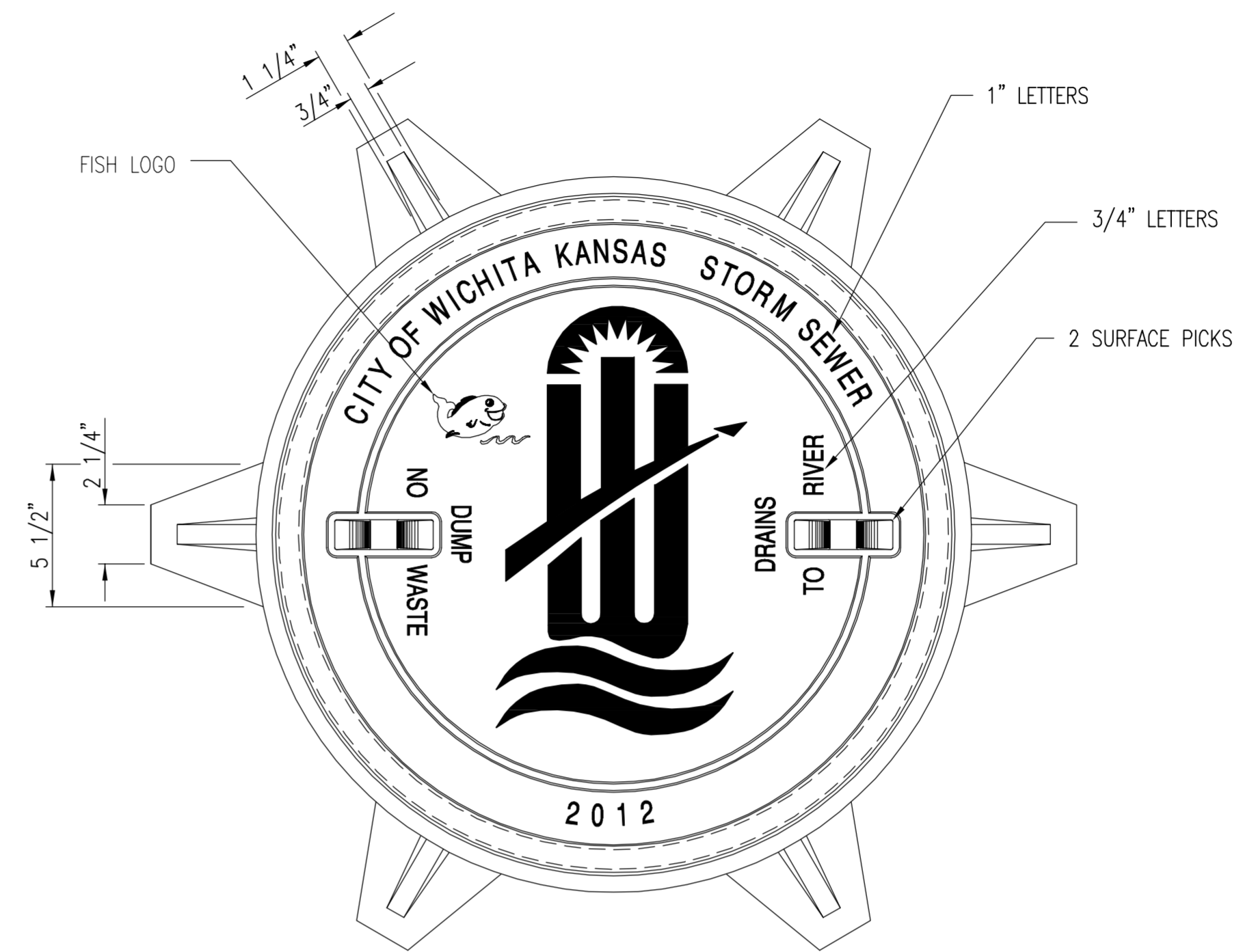


MANHOLE FRAME  
DEETER #1261 OR EJIW #1936-Z1

- NOTE:
1. FURNISHED WITH MACHINED HORIZONTAL BEARING SURFACE.
  2. COVER TO BE DEETER #1261 OR EJIW #1936A.



INLET FRAME  
DEETER #2014 OR EJIW #1936-Z4

- NOTE:
1. FURNISHED WITH MACHINED HORIZONTAL BEARING SURFACES.
  2. NOT TO BE USED UNDER PAVEMENT.
  3. COVER TO BE DEETER #1261 OR EJIW #1936A.



MANHOLE/INLET FRAME  
AND COVER  
(STORM SEWER)

CITY ENGINEER  
**Gary Janzen, P.E.**

PROJECT NUMBER <b>468-84800</b>	OCA NUMBER <b>133117</b>	DATE <b>4/2012</b>
------------------------------------	-----------------------------	-----------------------

CITY ENGINEER'S OFFICE CITY HALL - SEVENTH FLOOR 455 NORTH MAIN STREET WICHITA, KANSAS 67202-1620 (316) 268-4501	DESIGN Staff	DRAWN Staff
	SHEET <b>13 of 23</b>	