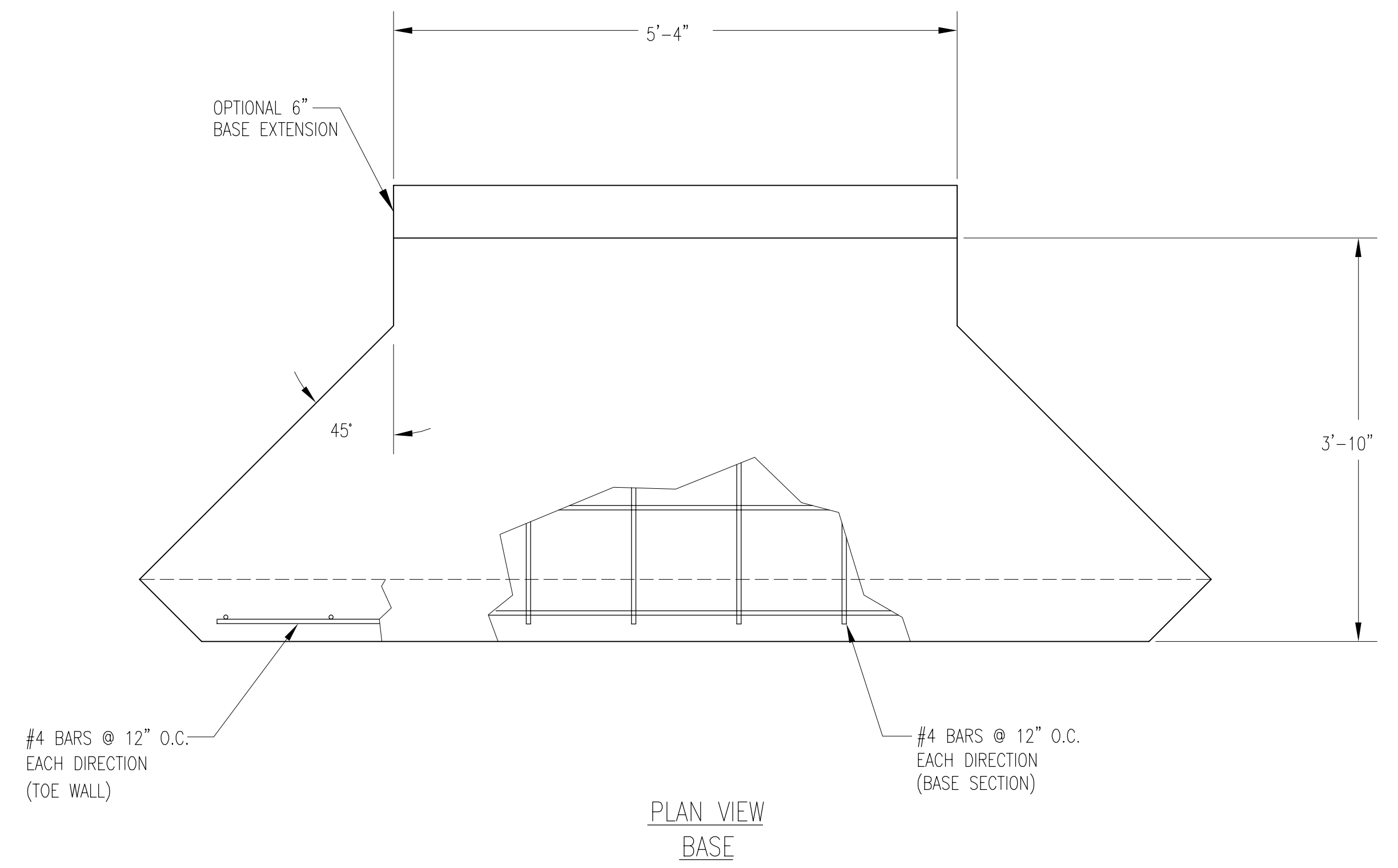
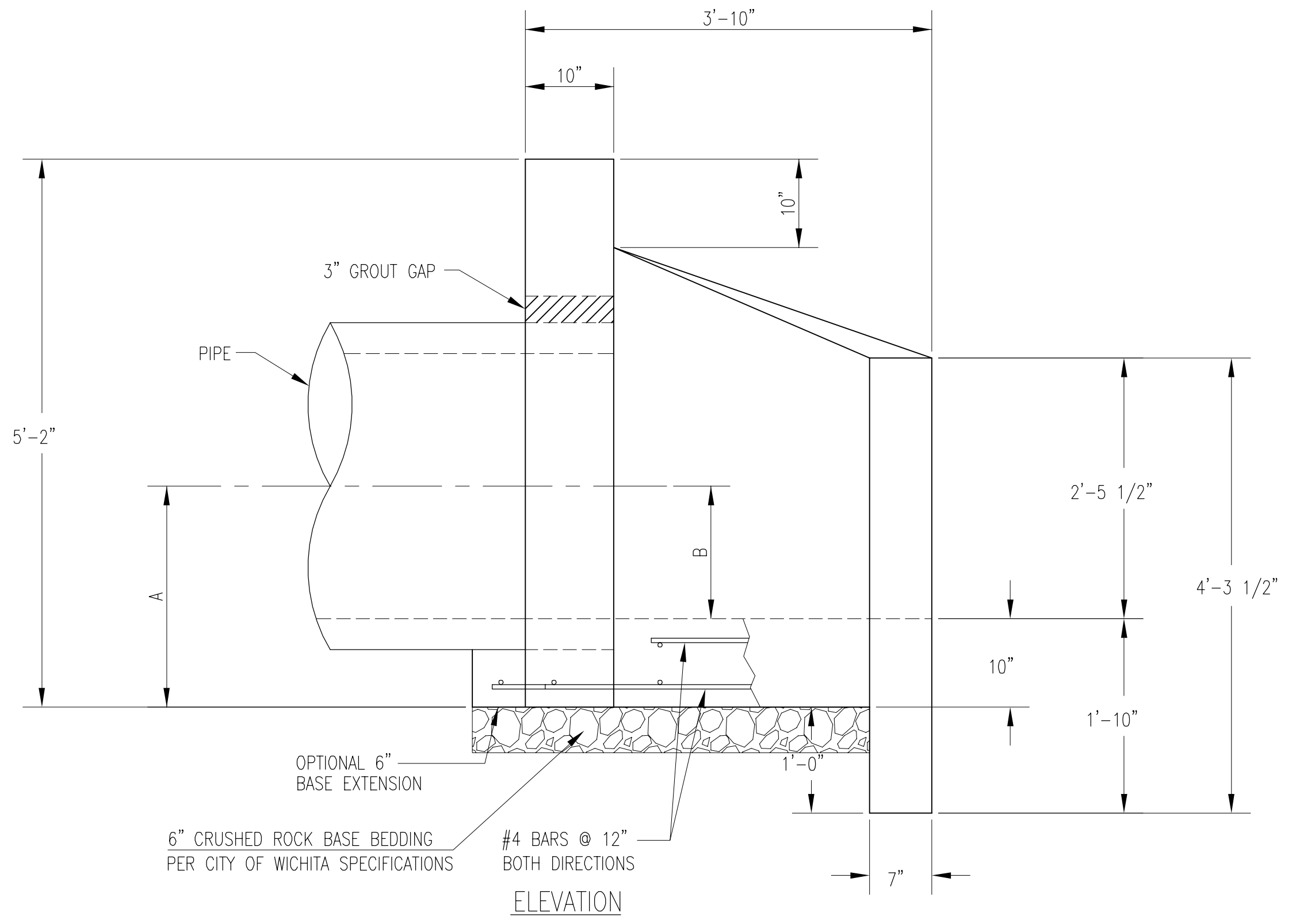


PLAN VIEW

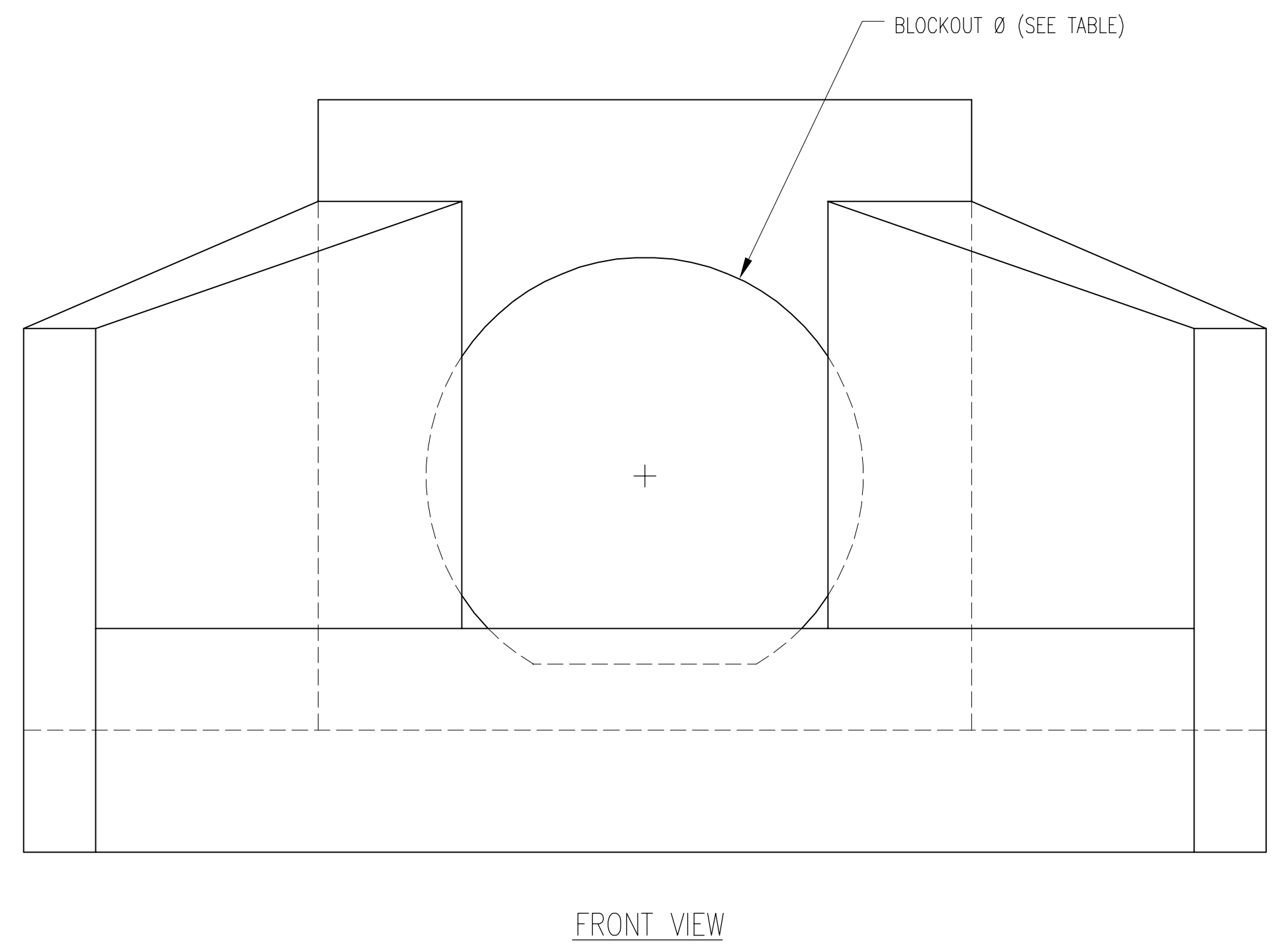


PLAN VIEW  
BASE

PIPE Ø	A	B	BLOCKOUT Ø
30"	2'-1"	1'-3"	3'-7"
36"	2'-4"	1'-6"	4'-2"



ELEVATION



FRONT VIEW

HEADWALLS, AS SHOWN, WILL NOT SUPPORT FLAP GATE.

<p><b>CITY OF WICHITA</b> PUBLIC WORKS &amp; UTILITIES ENGINEERING DIVISION</p>	<p><b>HEADWALL DETAILS FOR 30" AND 36" PIPE</b></p>		
	<p>CITY ENGINEER <i>Gary Janzen, P.E. Interim City Engineer</i></p>		
	PROJECT NUMBER <b>472-84266</b>	OCA NUMBER <b>766304</b>	DATE <b>01/14</b>
	<p>CITY ENGINEER'S OFFICE CITY HALL - SEVENTH FLOOR 455 NORTH MAIN STREET WICHITA, KANSAS 67202-1620 (316) 268-4501</p>		<p>DESIGN <b>Staff</b></p> <p>DRAWN <b>Staff</b></p> <p>SHEET <b>16 of 27</b></p>