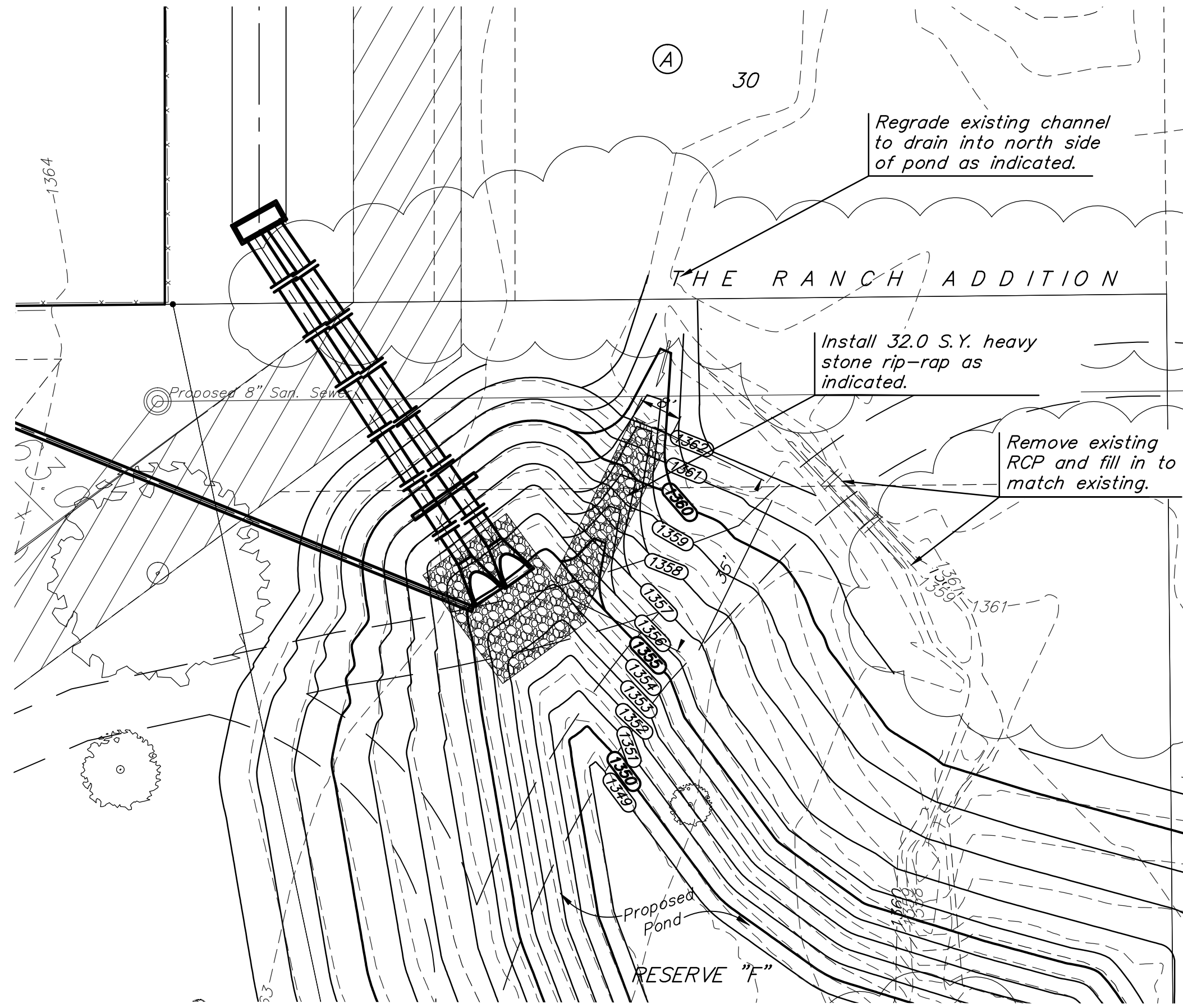


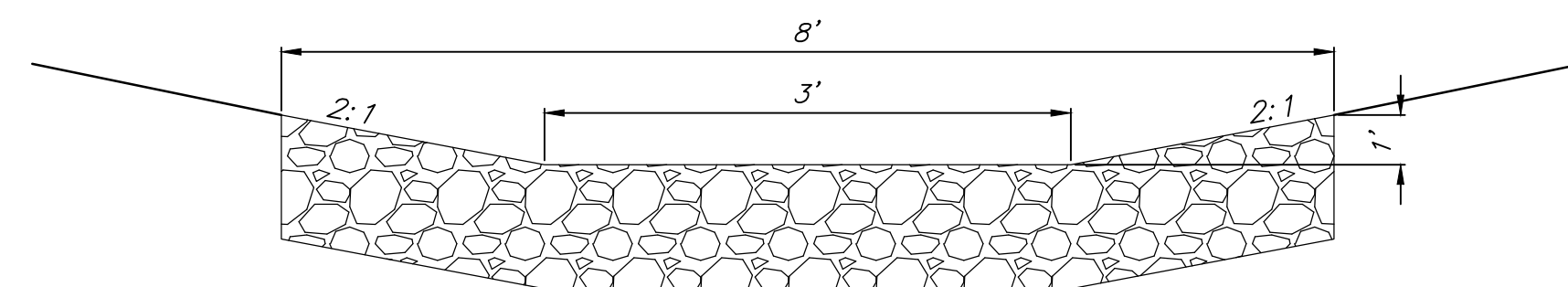
BENCHMARKS

"X" Cut top of 18" RCP 1' east of west end of RCP 31' south and 35' east of SE corner of the NE1/4 of Section 12, TWP. 27-S, R-2-E. Elev. = 1361.23 NAVD88

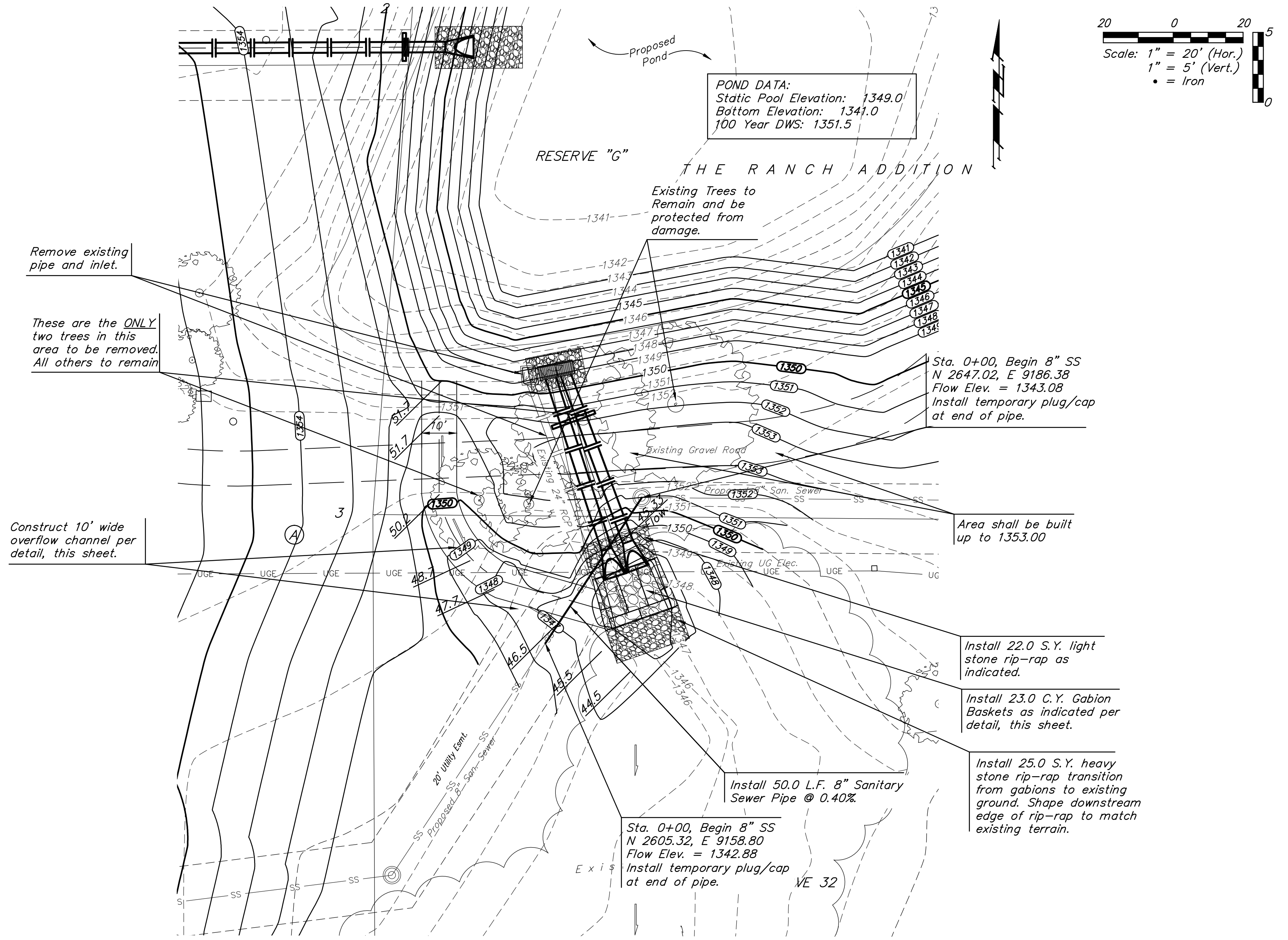
"□" Cut on concrete slab north base of entry gate 123' west of east section line and 190' south of the north property line. Elev. = 1368.38 NAVD88



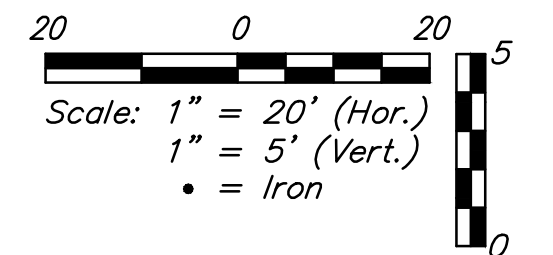
POND DATA:
Static Pool Elev = 1356.50
Bottom Elevation = 1348.50
100 Year DWS = 1360.20



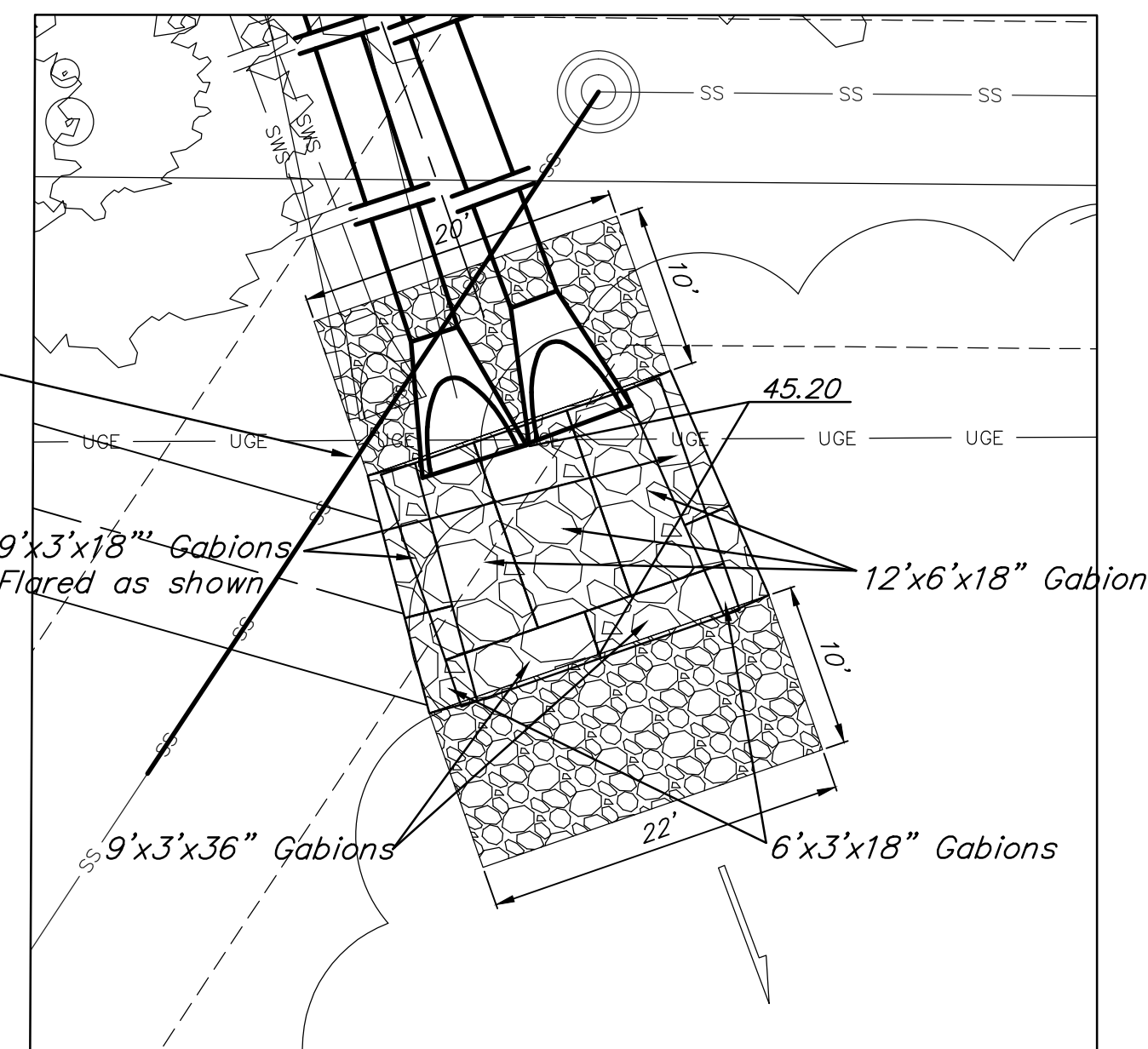
RIP-RAP SECTION A-A



POND DATA:
Static Pool Elevation: 1349.0
Bottom Elevation: 1341.0
100 Year DWS: 1351.5

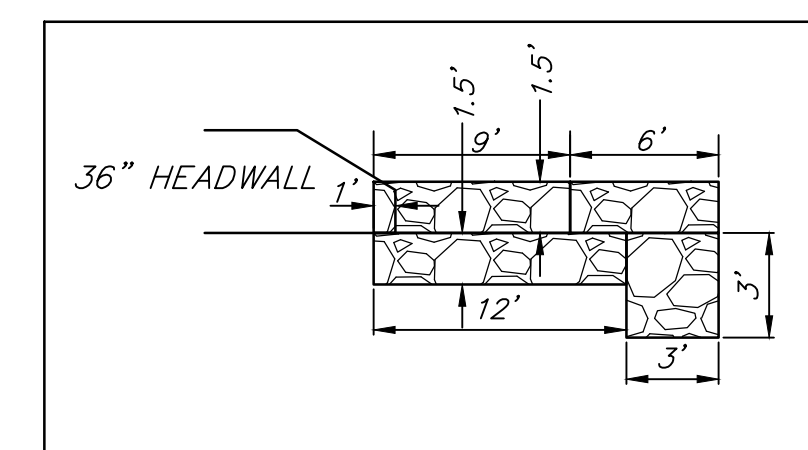
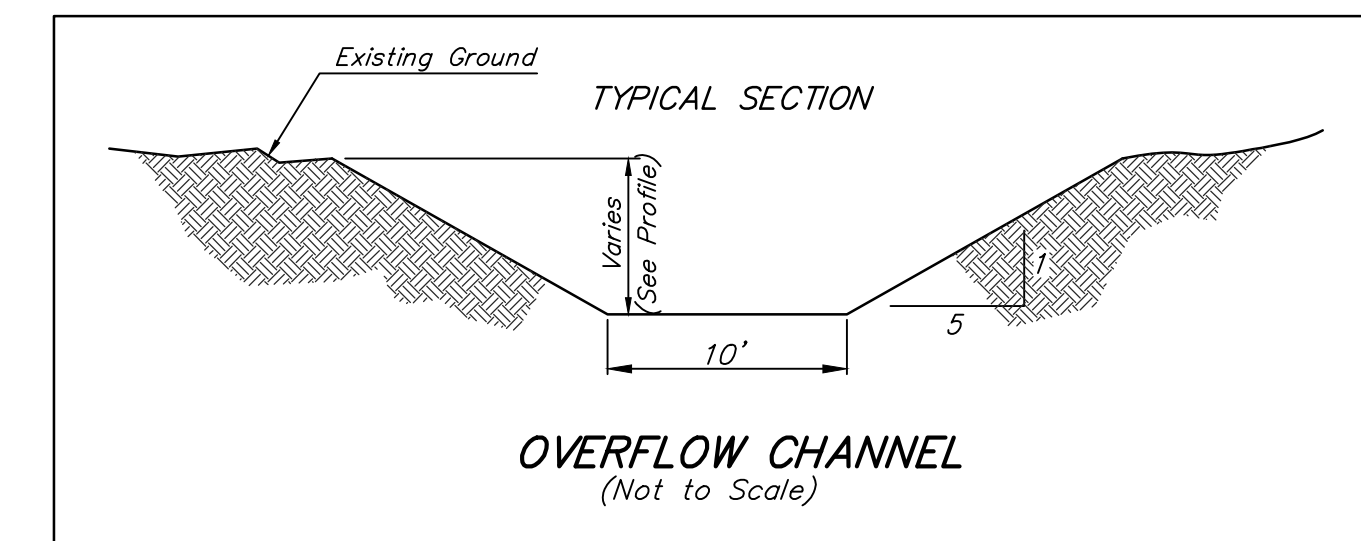


Use caution when installing gabions to avoid damage to 8" sewer.



Summary of Gabion baskets:

Qty.	Size
3	12'x6'x18"
2	9'x3'x36"
2	9'x3'x18"
2	6'x3'x18"



	The Ranch Addition SS Plan, Gabion Det. Rip-Rap Det. STORM WATER DRAIN #391	
	Baughman Company, P.A. 315 Ellis St. Wichita, KS 67211 P 316-263-2771 F 316-262-0149 ENGINEERING SURVEYING PLANNING LANDSCAPE ARCHITECTURE	
PROJECT NUMBER 468-84291	DESIGN AEG	DRAWN JAK/TMS
REVISIONS:	APPROVED	DATE 01/14
	SCALE Noted	SHEET 26 OF 40