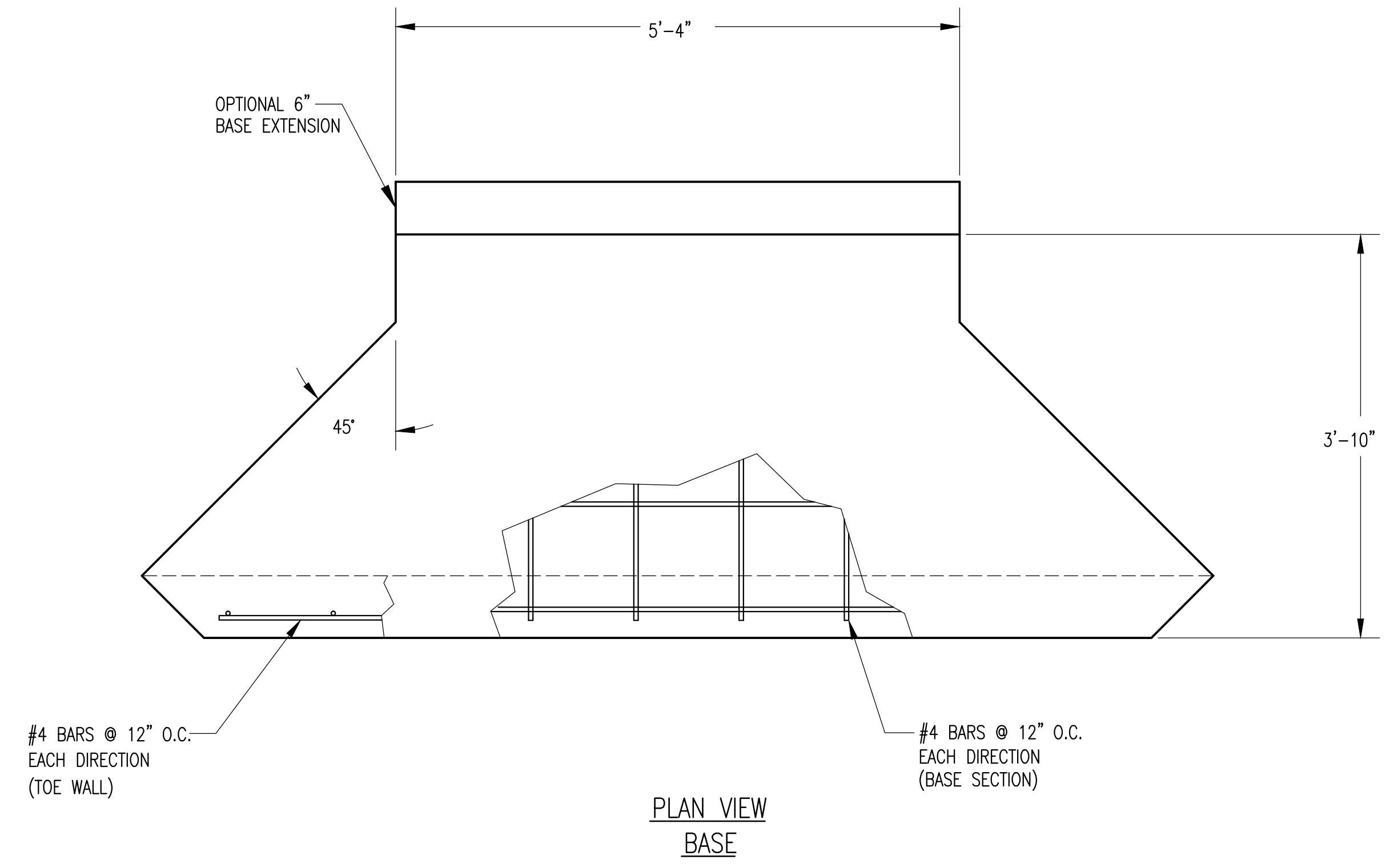
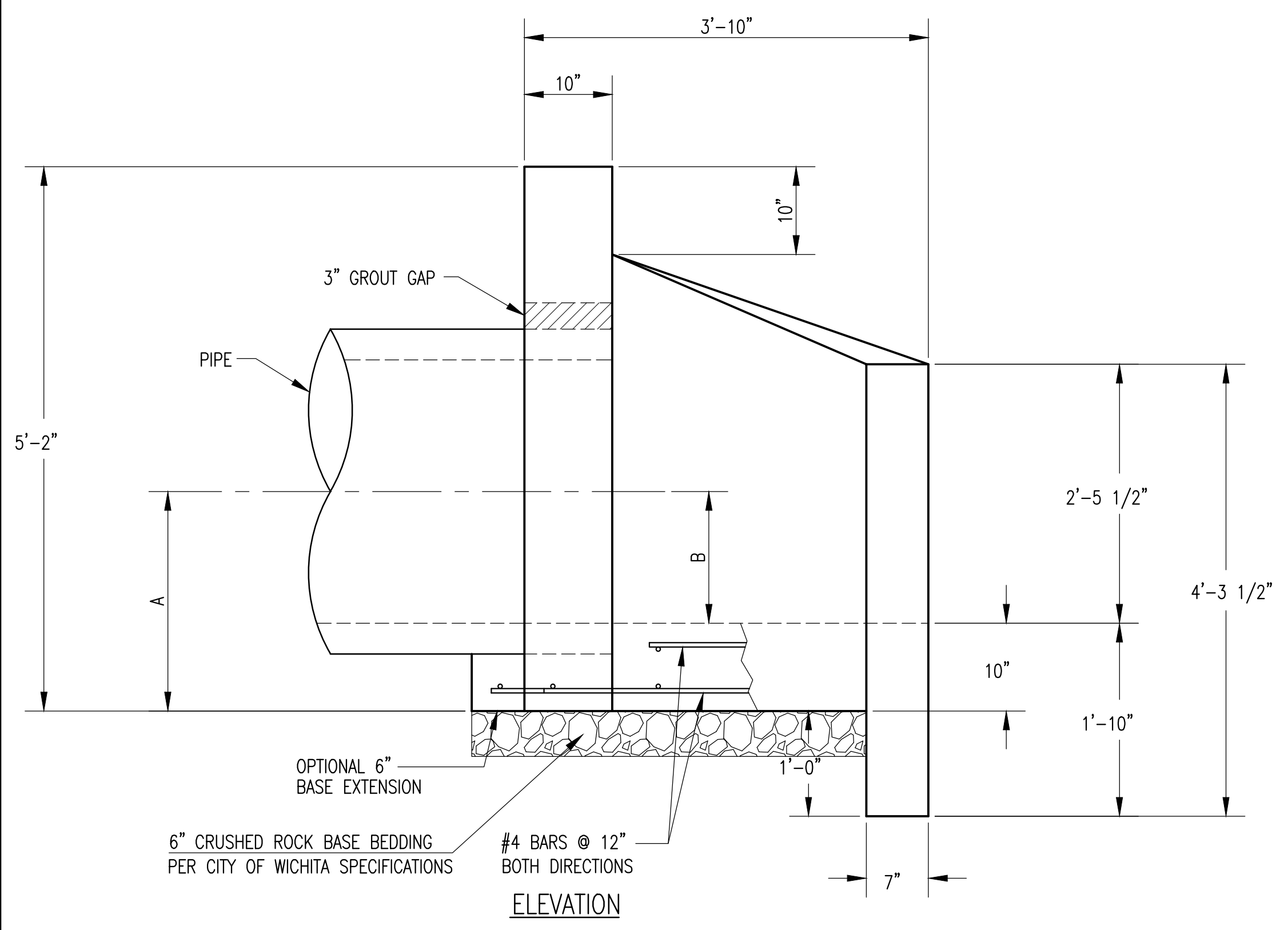


PLAN VIEW

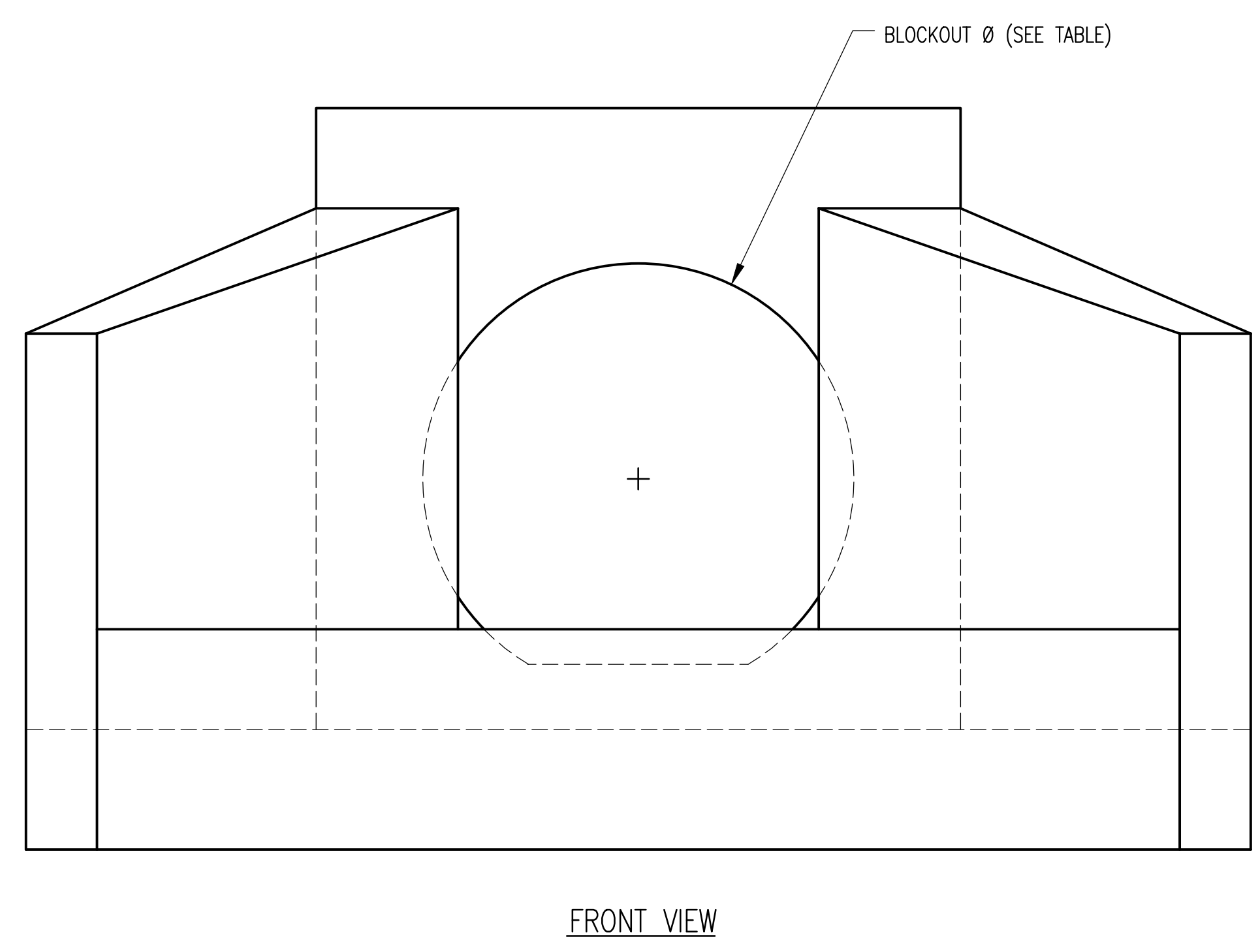


PLAN VIEW  
BASE

PIPE Ø	A	B	BLOCKOUT Ø
30"	2'-1"	1'-3"	3'-7"
36"	2'-4"	1'-6"	4'-2"




ELEVATION



FRONT VIEW

HEADWALLS, AS SHOWN, WILL NOT SUPPORT FLAP GATE.

 PUBLIC WORKS & UTILITIES ENGINEERING DIVISION	<b>HEADWALL DETAILS FOR 30" AND 36" PIPE</b>		
	CITY ENGINEER <b>Gary Janzen, P.E.</b>		
	PROJECT NUMBER <b>472-84069</b>	OCA NUMBER <b>766305</b>	DATE <b>4/2012</b>
	CITY ENGINEER'S OFFICE CITY HALL - SEVENTH FLOOR 455 NORTH MAIN STREET WICHITA, KANSAS 67202-1620 (316) 268-4501		DESIGN <i>Staff</i>
		DRAWN <i>Staff</i>	SHEET <b>15 of 24</b>