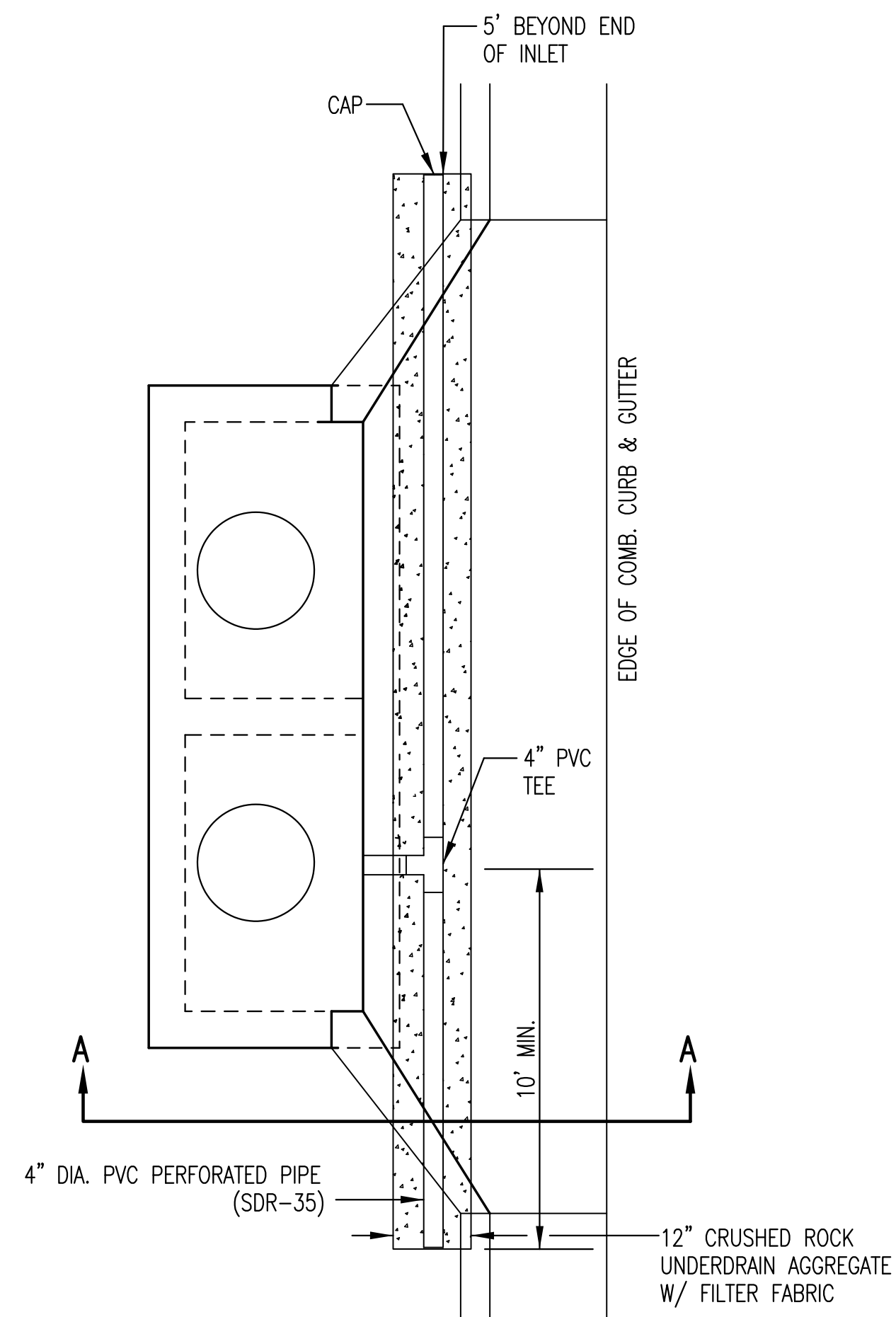


TYPE 1 & 2 INLET



TYPE 1-A INLET

**CRUSHED ROCK GRADATION REQUIREMENTS
PERCENT OF AGGREGATE RETAINED**

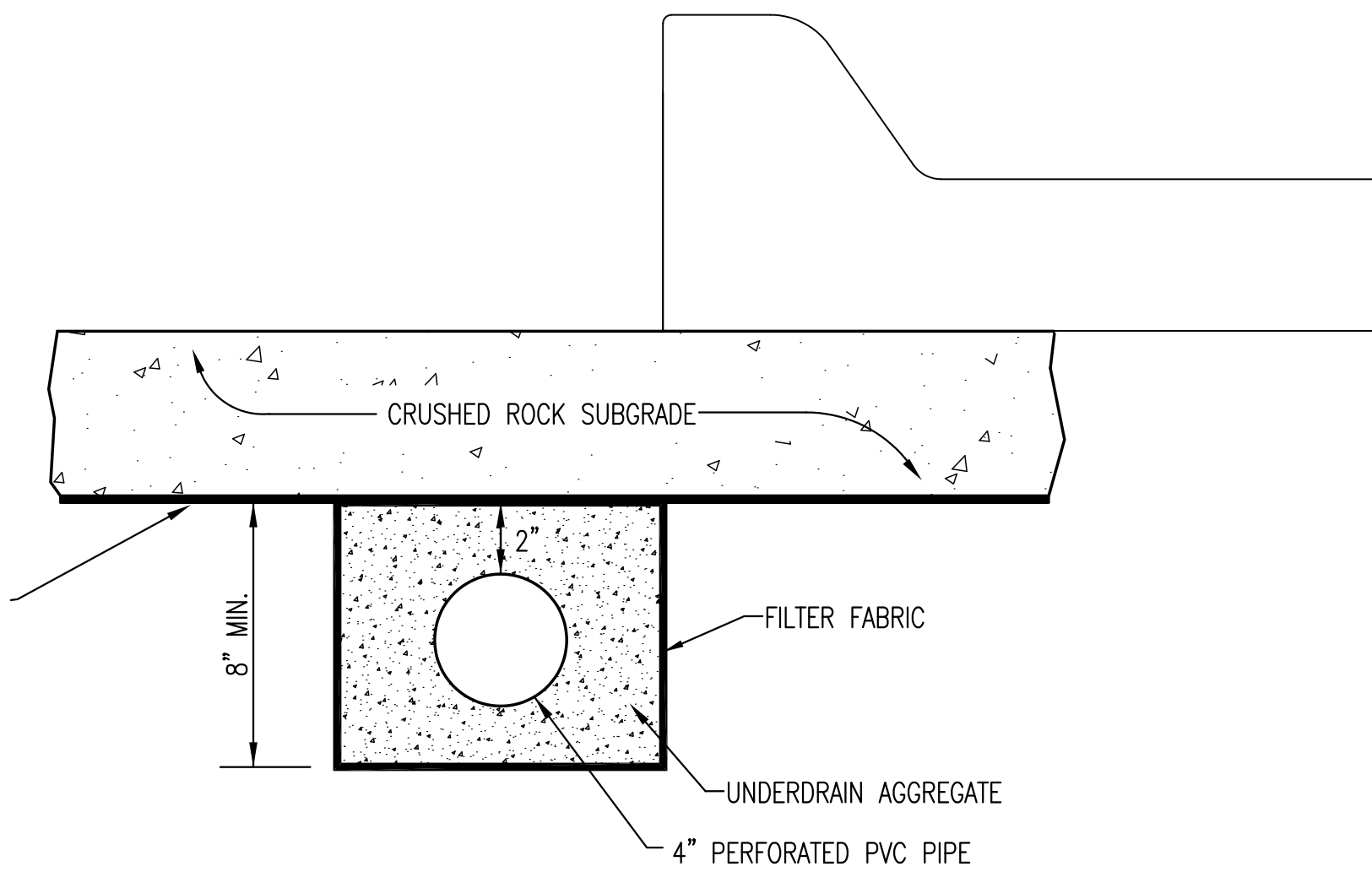
1 1/2"	0
3/4"	15-60
# 4	40-80
#40	74-92
P-200	4-12

ROCK QUALITY SHALL BE THE SAME AS SPECIFIED FOR COARSE AGGREGATE FOR ASPHALT CONCRETE MIXES.

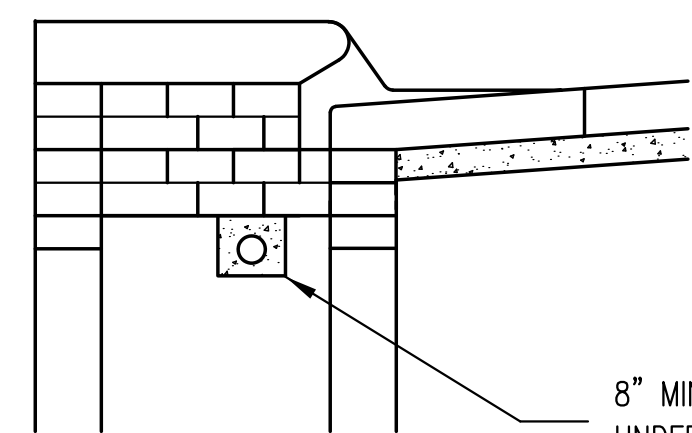
GENERAL NOTES

- PAVEMENT CONTRACTOR WILL BE REQUIRED TO INSTALL SDR 35, 4" PERFORATED DRAIN PIPE AND TEE AS INDICATED IN THE DETAILS ABOVE. A PIPE STUB HAS BEEN INSTALLED THROUGH WALLS OF CURB INLETS BY OTHERS IN A MANNER ALLOWING CONNECTION OF ADDITIONAL DRAIN PIPE AND TEE AS REQUIRED BY DETAILS ABOVE.
- WHEN SWD CONSTRUCTED BY SEPARATE PROJECT, SWS CONTRACTOR SHALL INSTALL SDR 35, 4" DRAIN PIPE STUB ONLY THROUGH WALLS OF CURB INLETS AND CAP TO ALLOW FUTURE CONNECTION OF TEE AND ADDITIONAL DRAIN PIPE BY OTHERS.

BID ITEM TO BE PROVIDED PER 4" PERFORATED UNDERDRAIN PIPE.



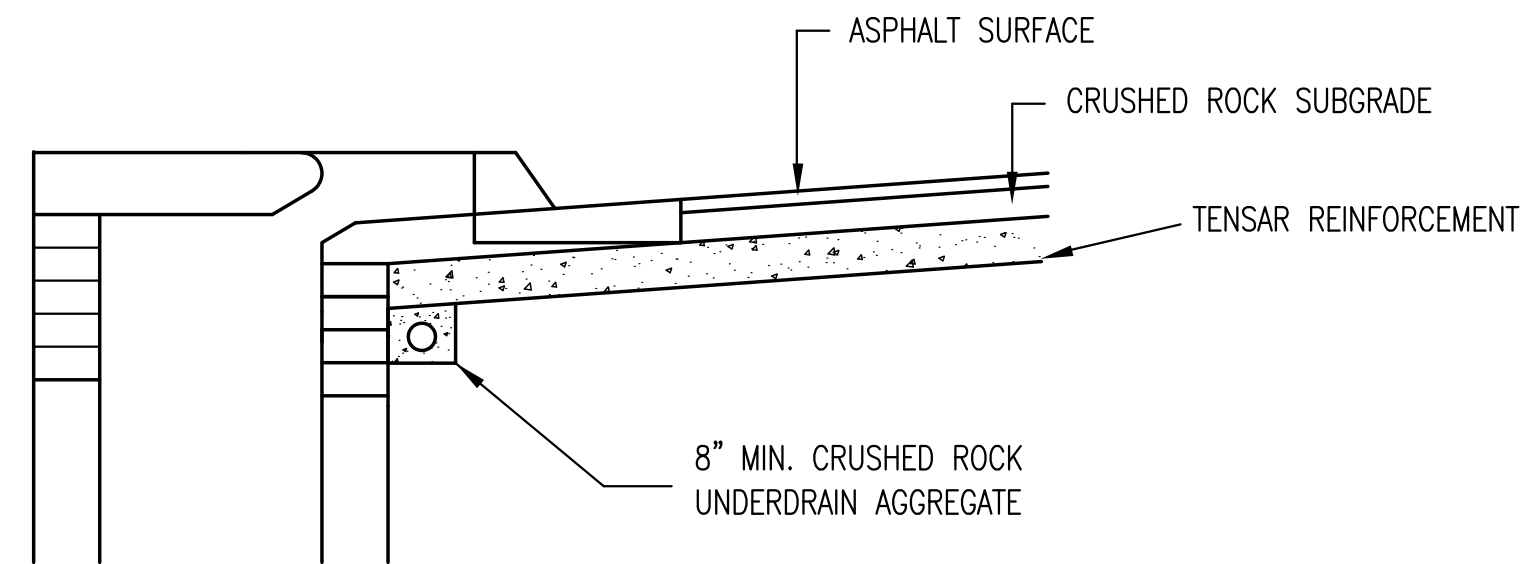
SECTION A-A



8" MIN. CRUSHED ROCK UNDERDRAIN AGGREGATE

(MIN. 16 PERFORATIONS PER LIN. FT. @ 1/4" DIA.)
PERFORATIONS TO BE ON BOTTOM HALF

SECTION A-A



**CURB INLET
PAVEMENT UNDERDRAIN
DETAIL**

INTERIM CITY ENGINEER

GARY L. JANZEN, P.E.

PROJECT NUMBER 472-85128	OCA NUMBER 766303	DATE MAR. 2014
------------------------------------	-----------------------------	--------------------------

CITY ENGINEER'S OFFICE
455 NORTH MAIN STREET
WICHITA, KANSAS 67202-1620
(316) 268-4501

DESIGN	DRAWN
SHEET	
07 of 52	