

STORM WATER SEWER PLAN FOR
COURTYARDS AT AUBURN HILLS
PHASE 1

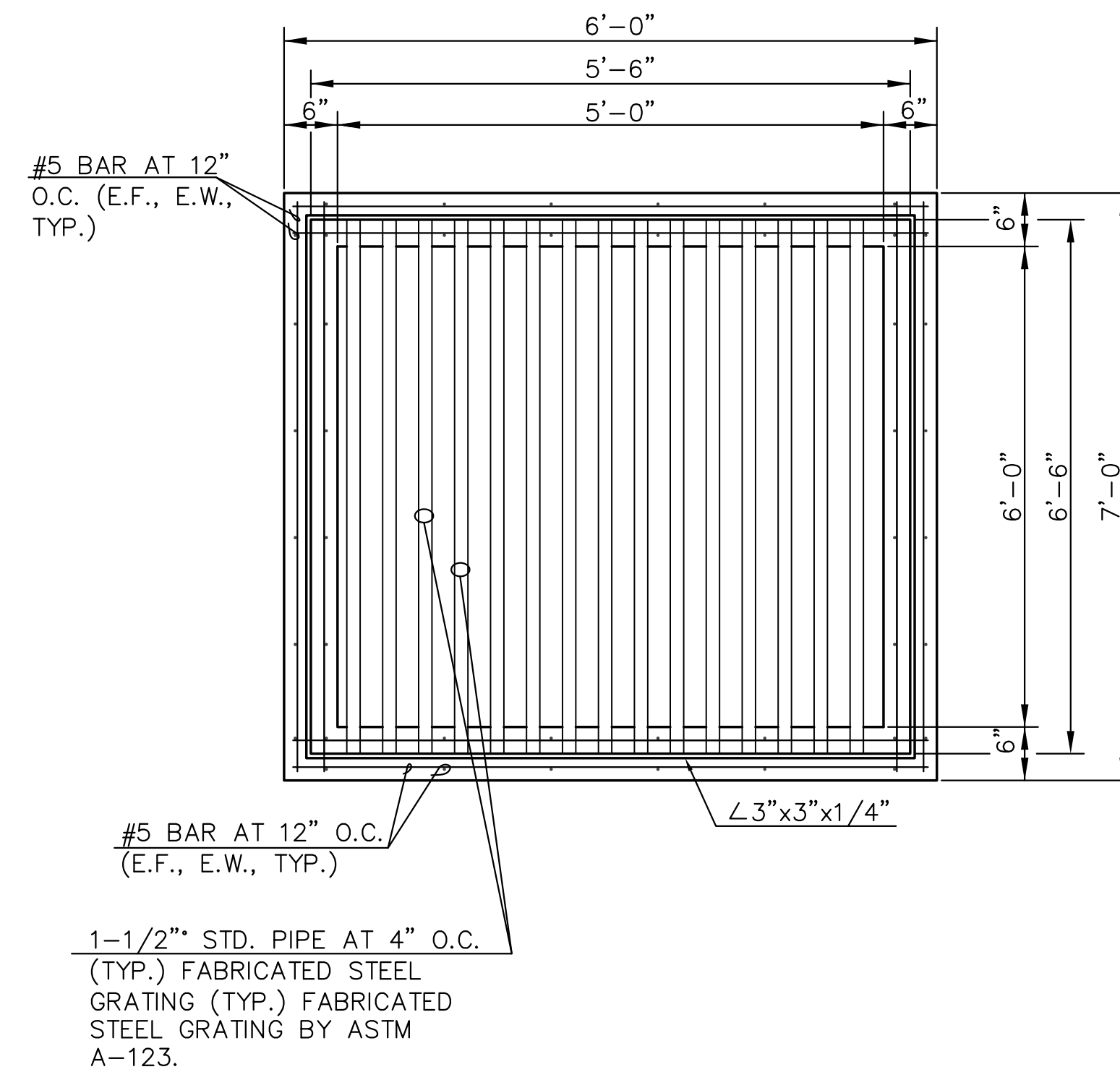
©2013
MKEC Engineering
All Rights Reserved
www.mkec.com
These drawings and their contents, including, but not limited to, all concepts, designs, & ideas are the exclusive property of MKEC Engineering (MKEC), and may not be used or reproduced in any way without the express consent of MKEC.

AREA INLET DETAILS

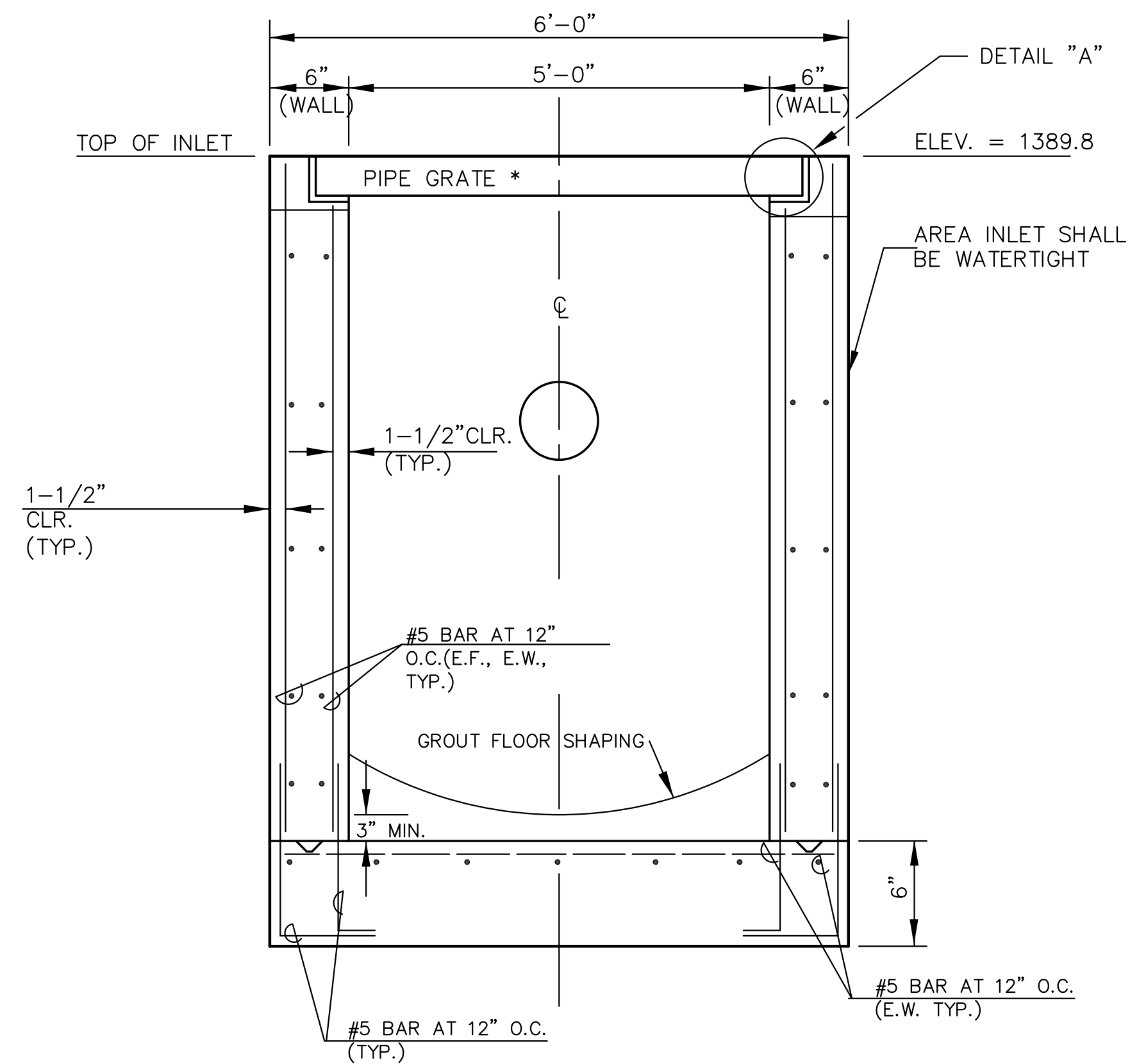
PROJECT NO.	472-85128	
DATE	MAR. 2014	
SCALE	N/A	
DESIGNED	DRAWN	CHECKED
SPE	SPE	JTC

NO.	REVISION	DATE
-----	----------	------

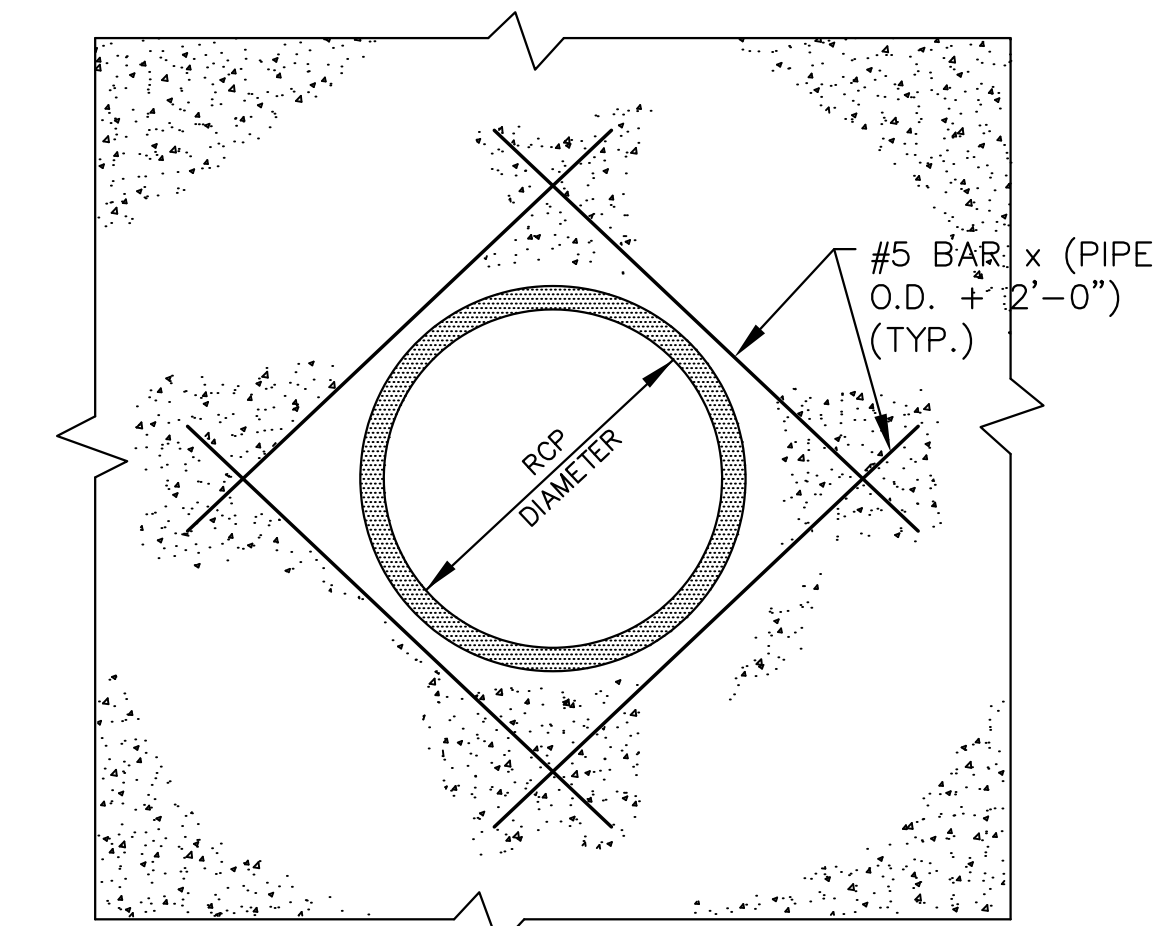
SHEET NO.



PLAN VIEW

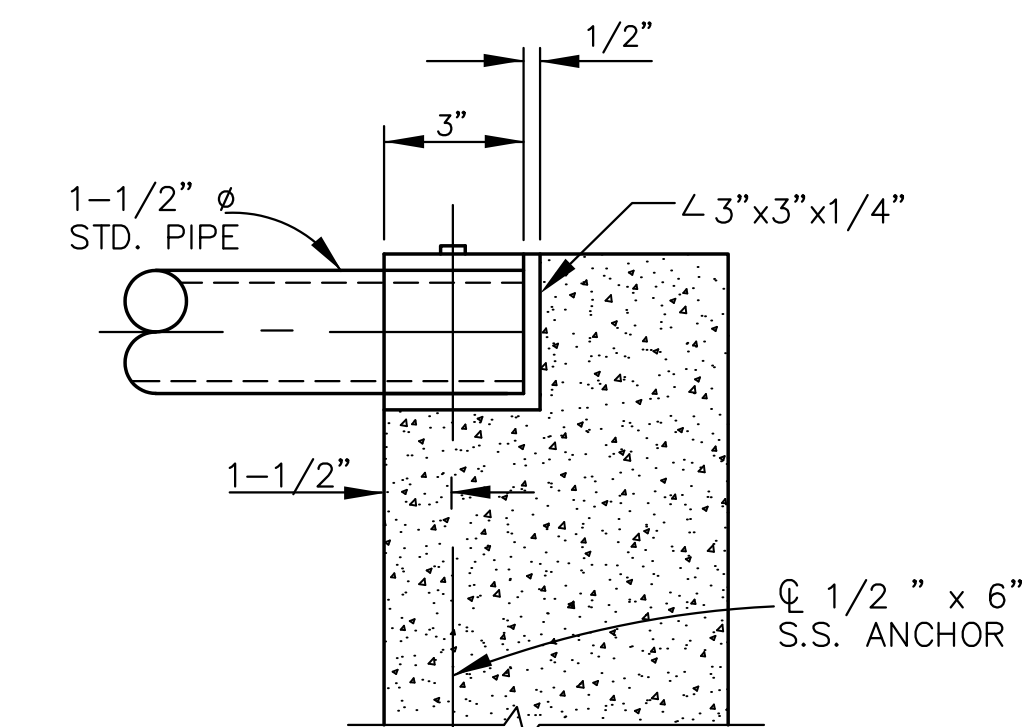


ELEVATION VIEW



NOTE:
CUT REINFORCING AS
REQUIRED TO CLEAR RCP.

TYPICAL REINFORCING AT PIPE



NOTE:
FABRICATED STEEL GRATING
SHALL BE GALVANIZED AS
SPECIFIED BY ASTM A-123.

DETAIL "A"

MATERIAL SPEC'S

MORTAR - TYPE "M"
BRICK - ASTM C62 GRADE MW
CONCRETE - GALV. ASTM A-123 STDS.
F_u = 4,000 PSI MINIMUM WITH
6 SACKS OF CEMENT PER
CUBIC YARD MINIMUM.