

PRIVATE SANITARY SEWER

TO SERVE

FRANKENBERRY DENTAL OFFICE

PROJECT NO. 2179PPS

THE CITY OF WICHITA, KANSAS
GARY JANZEN, P.E. - CITY ENGINEER

OCA NO. 607861

GENERAL NOTES

- UNLESS SHOWN OR STATED OTHERWISE ON THESE DRAWINGS, MATERIALS AND CONSTRUCTION SHALL BE IN ACCORDANCE WITH CITY OF WICHITA STANDARD SPECIFICATIONS.
- SUBCONTRACTOR WILL BE REQUIRED TO PROVIDE A MINIMUM ADVANCE NOTICE OF SEVENTY-TWO (72) HOURS TO UTILITY COMPANIES PRIOR TO STARTING ANY EXCAVATION AS FOLLOWS:

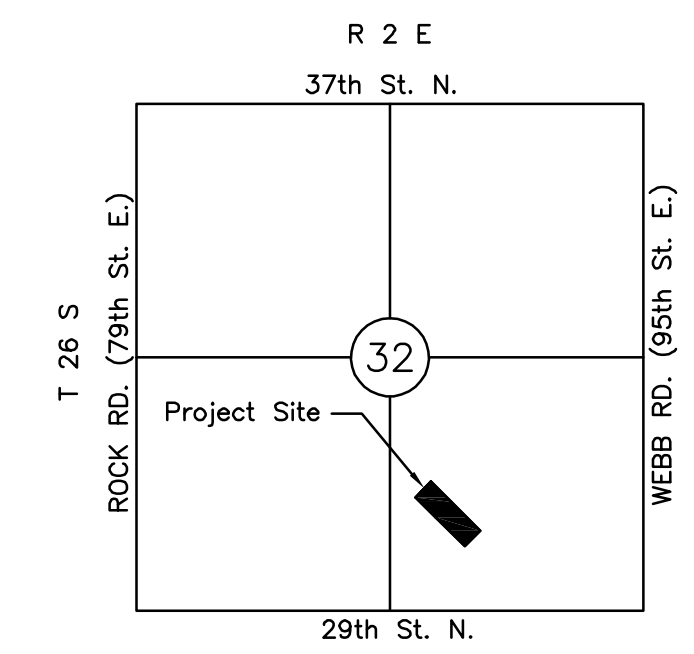
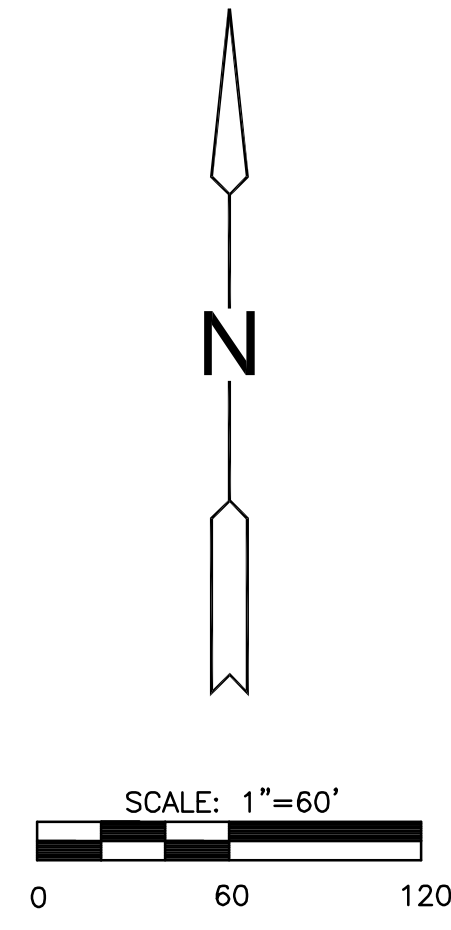
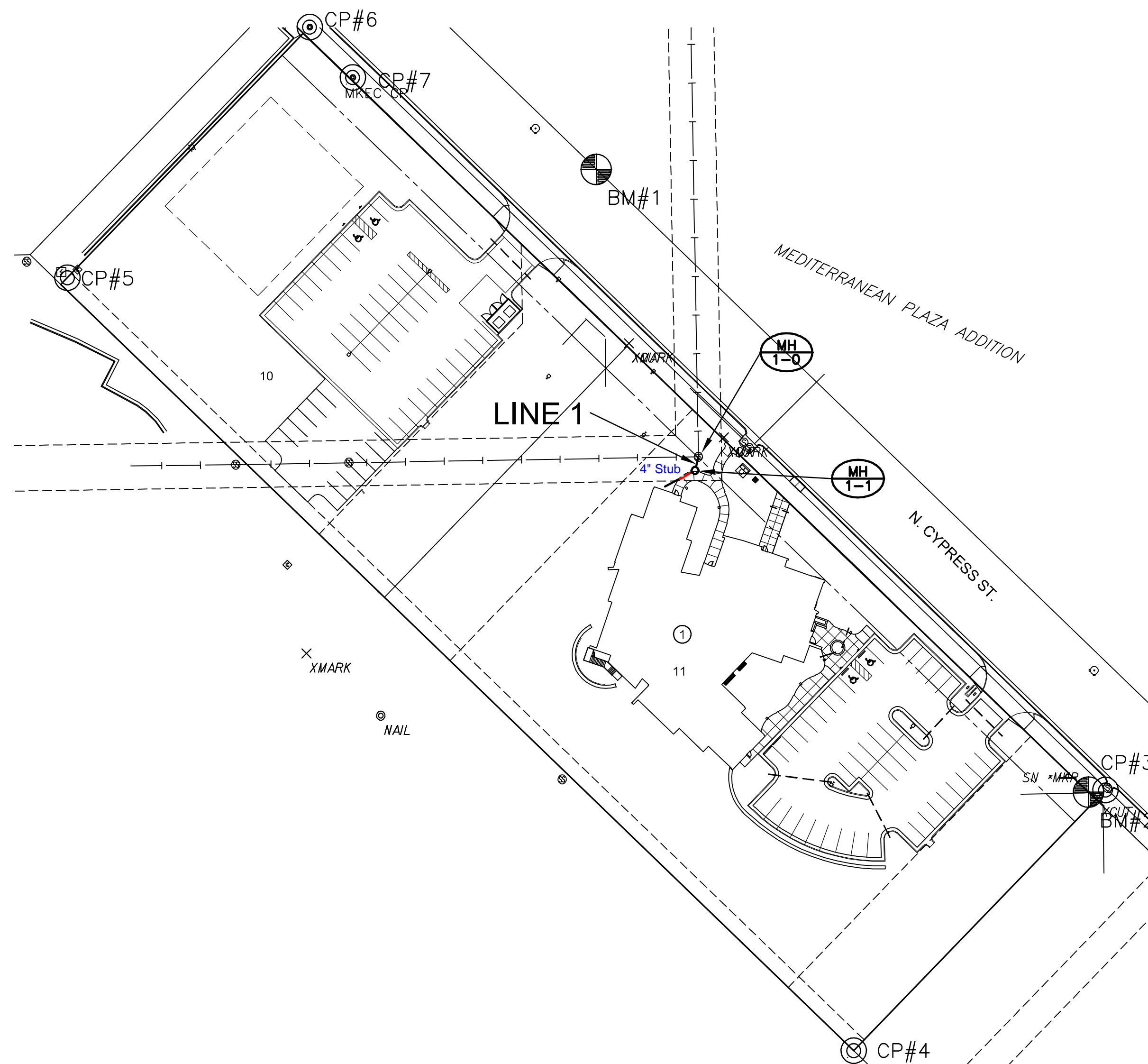
KANSAS ONE-CALL OR LOCAL (WICHITA)	800-344-7233 316-687-2470
---------------------------------------	------------------------------

THE SUBCONTRACTOR MUST NOTIFY THE FOLLOWING IN CASE OF AN EMERGENCY:

SBC (TELEPHONE)	800-870-8390
COX COMMUNICATIONS (CABLE)	316-262-0661
KANSAS GAS SERVICE (GAS)	316-832-3101
CITY OF WICHITA WATER & SEWER	316-262-6000
WESTAR (ELECTRIC)	316-261-6512
AQUILA (GAS)	800-303-0357
- THE SUBCONTRACTOR SHALL BE RESPONSIBLE FOR PRESERVING PROPERTY IRONS. THE SUBCONTRACTOR WILL BE REQUIRED TO RE-ESTABLISH ANY PROPERTY IRONS WHICH ARE DAMAGED OR DESTROYED BY HIS CONSTRUCTION OPERATIONS. SUCH IRONS SHALL BE RE-ESTABLISHED BY A LICENSED LAND SURVEYOR IN ACCORDANCE WITH STATE LAWS.
- EXISTING UTILITIES AND THEIR LOCATIONS, AS SHOWN ON THE PLANS REPRESENT THE BEST INFORMATION OBTAINABLE FOR DESIGN. LOCATION INFORMATION HAS BEEN OBTAINED FROM THE VARIOUS UTILITY COMPANIES AND IS EITHER FROM COMPANY RECORD DRAWINGS OR COMPANY PROVIDED FIELD LOCATIONS. THE PLAN LOCATIONS SHOWN ARE NOT GUARANTEED. ADDITIONAL EXISTING UTILITIES MAY ALSO BE ENCOUNTERED.
- ALL DISPOSAL SITES MUST BE APPROVED BY THE KANSAS DEPARTMENT OF HEALTH AND ENVIRONMENT. MATERIAL EITHER STOCKPILED OR DISPOSED OF IN A FLOOD PLAIN WOULD REQUIRE A KANSAS STATE BOARD OF AGRICULTURE PERMIT. ANY MATERIAL DUMPED IN WATERS OF THE UNITED STATES OR WETLANDS IS SUBJECT TO U.S. CORPS OF ENGINEERS PERMITTING REGULATIONS. ANY MATERIAL BURIED OR STOCKPILED BEYOND APPROVED CONSTRUCTION LIMITS WOULD REQUIRE ADDITIONAL ARCHAEOLOGICAL INVESTIGATIONS.
- COST OF EXCAVATION, HAULING, AND DUMPING OF EXCESS EXCAVATION SHALL BE SUBSIDIARY TO THE PROJECT.
- A PORTION OF EXCESS EXCAVATED MATERIAL SHALL BE MOUNDED AROUND MANHOLES WHICH EXTEND MORE THAN ONE (1) FOOT ABOVE THE EXISTING GROUND. SUCH MOUNDS SHALL BE CONSTRUCTED WITH SIX (6) FOOT DIAMETER FLAT TOP WITH 4 TO 1 SIDE SLOPES DOWN TO THE ORIGINAL GROUND. THE ELEVATION OF THE FLAT TOP OF THE MOUND SHALL BE 0.4 FOOT BELOW THE TOP OF THE MANHOLE.
- ALL STUBS AND PLUGGED PIPES SHALL BE LOCATED WITH GREEN PLASTIC TAPE IN THE SAME MANNER AS RISERS.
- CONNECTING TO EXISTING MANHOLES:
PRIOR TO LAYING SEWER LINES USING EXISTING STUBS IN EXISTING MANHOLES, THE SUBCONTRACTOR SHALL EXPOSE AND VERIFY THE ELEVATION, GRADE AND ALIGNMENT OF EXISTING STUBS AND NOTIFY THE ENGINEER OF ANY DEVIATION FROM THE PLAN. WHERE CONNECTION TO AN EXISTING MANHOLE THAT DOES NOT HAVE AN EXISTING STUB OR THE STUB IS UNUSABLE DUE TO ELEVATION GRADE OR ALIGNMENT, THE SUBCONTRACTOR SHALL BORE CUT INTO EXISTING MANHOLE WALL TO MAKE CONNECTION USING APPROVED WATER STOP GASKET, AND RESHAPE THE EXISTING MANHOLE INVERT TO PROVIDE SMOOTH FLOW. THE COST OF CONNECTING TO EXISTING MANHOLES IS INCIDENTAL TO THE PROJECT.
- TREES AND SHRUBS IN PUBLIC RIGHT-OF-WAY WHICH ARE IN DIRECT CONFLICT WITH PROPOSED NEW CONSTRUCTION SHALL BE REMOVED BY THE SUBCONTRACTOR WITH THE ENGINEER'S APPROVAL. TREES AND SHRUBS WHICH ARE NOT IN DIRECT CONFLICT WITH PROPOSED NEW CONSTRUCTION SHALL BE SAVED AND PROTECTED FROM DAMAGE.
- ALL DISTURBED AREAS TO BE SEEDED WITH RYE GRASS AT A RATE OF 200 LBS. PER ACRE WITHIN 10 DAYS OF CONSTRUCTION. SUBCONTRACTOR TO PREPARE GROUND PER CITY SPECIFICATIONS. COST IS SUBSIDIARY TO SITE PREPARATION AND RESTORATION.
- WORK DONE UNDER THIS PROJECT IS SUBJECT TO THE CITY OF WICHITA REQUIREMENTS FOR "CONSTRUCTION OF INFRASTRUCTURE IMPROVEMENTS BY PRIVATE CONTRACT." THE CONTRACTOR SHALL BE FAMILIAR AND COMPLY WITH ALL OF THE REQUIREMENTS, INCLUDING BONDING, INSPECTION, TESTING, NOTIFICATION, PROVIDING AS-BUILT DRAWINGS, PAYING FOR ALL NECESSARY CONNECTIONS AND/OR STREET REPAIR FEES AND PROVIDING PIPE MATERIAL AND OTHER CERTIFICATIONS.

AS BUILTS	
Contractor: Ewertz Excavation 4/24/2014	Project Inspector: Larry Gann <small>117 E. Lewis, Wichita, KS 67202 (316)264-0242</small>

T. Mason - City of Wichita, Inspector Stub
Release Date: 5/01/2014
: APROsas 5/02/2014



VICINITY MAP
No Scale

INDEX TO DRAWINGS

SHEET NO.	DESCRIPTION
1	TITLE SHEET
2-3	SS DETAILS
4	LINE 1 PLAN & PROFILE
5	FINAL PLAT

BENCHMARKS

- BM#1** CHISELED SQUARE 526 FT. NORTHWESTERLY AND 70 FT. NORTHEASTERLY OF THE EAST MOST CORNER OF LOT 11, BLOCK 1, MEDITERRANEAN PLAZA ADDITION
ELEV.=1409.19 (NAVD 88)
- BM#2** CHISELED SQUARE 7 FT NORTHWESTLY OF THE EAST MOST CORNER OF LOT 11, BLOCK 1, MEDITERRANEAN PLAZA ADDITION
ELEV.=1409.24 (NAVD 88)
- CP#3** SET CHISELED "X"
2.0' NORTHEAST OF CORNER ON EXTENDED LOT LINE.
N 1705856.24, E 1679125.16
ELEV.=1406.76 (NAVD 88)
- CP#4** SET 1/2" REBAR
W/MKEC WITNESS ID CAP
6.0' SOUTHWEST OF CORNER ON EXTENDED LOT LINE.
N 1705685.09, E 1678959.79
ELEV.=1405.12 (NAVD 88)
- CP#5** FND 5/8" REBAR
W/RLS 1294 ID CAP
N 1706194.51, E 1678441.37
ELEV.=1409.82 (NAVD 88)
- CP#6** FND 5/8" REBAR
W/NO ID CAP
N 1706359.98, E 1678601.00
ELEV.=1408.57 (NAVD 88)
- CP#7** MKEC CONTROL POINT
N 1706326.50, E 1678629.52
ELEV.=1408.361 (NAVD 88)



APPROVED AS NOTED
BY CITY ENGINEER OF WICHITA, &
WICHITA WATER & SEWER DEPARTMENT

San. Swr. Mains *[Signature]* 1-21-14
(Public Works)

NOTE TO CONTRACTORS

Public Property:

Inspection and testing for the sanitary sewer is to be provided by a Licensed Consulting Engineering Firm under contract with the Owner/Developer. Said inspection to be in accordance with the City of Wichita Standard Construction Engineering Practices and certified by a Professional Engineer licensed in the state of Kansas. No work shall be performed in dedicated easements or public rights-of-way by the Contractor without such inspection, nor shall any work be commenced without written authorization by the City Engineer. All construction and materials shall comply with the City of Wichita Specifications and Standards (on file and available in the City Engineer's Office).



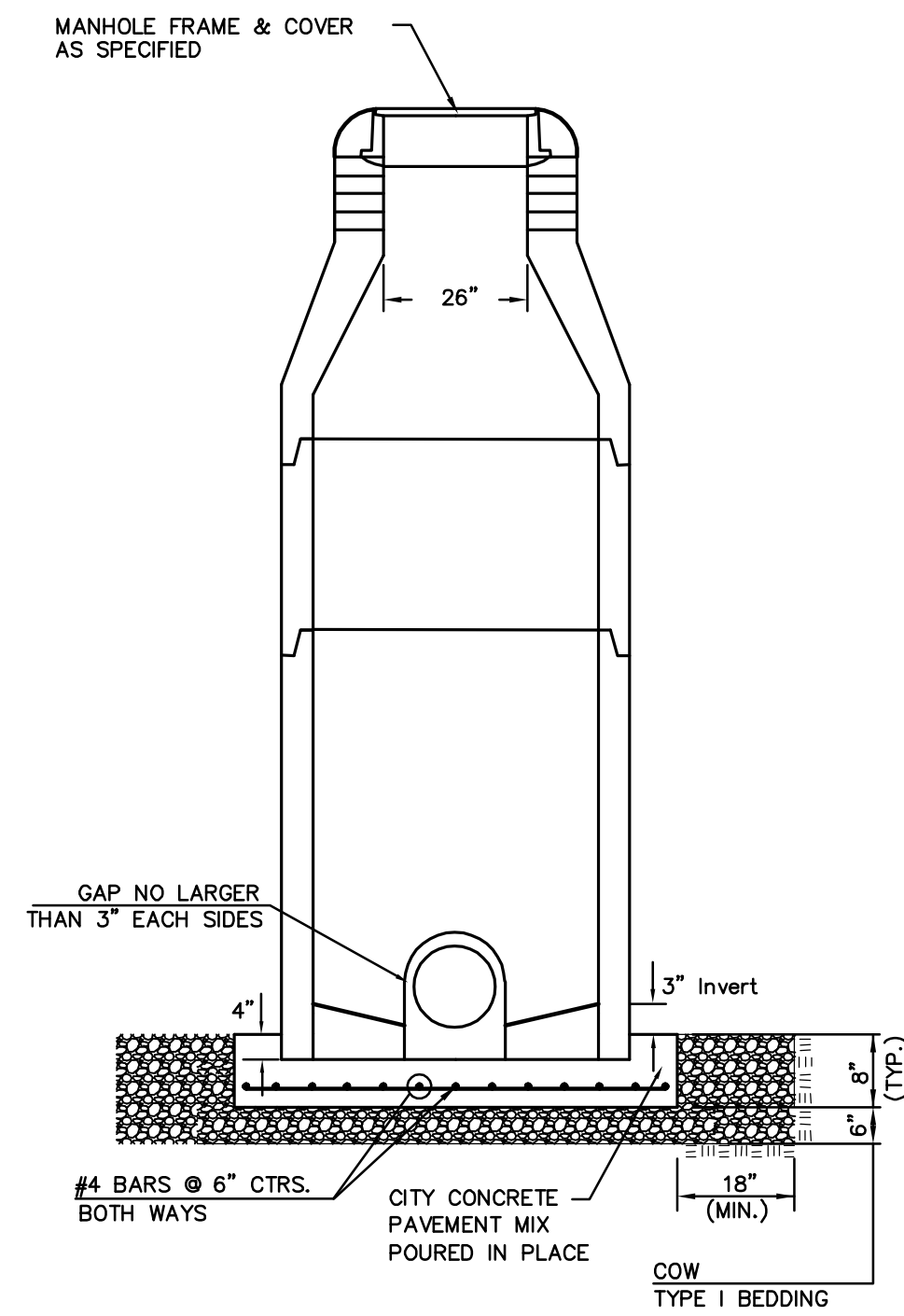
PRIVATE SANITARY SEWER PLANS FOR
FRANKENBERRY DENTAL OFFICE
 MEDITERRANEAN PLAZA ADDITION

©2013 MKEC Engineering All Rights Reserved www.mkec.com
 These drawings and their contents, including, but not limited to, all concepts, designs, & ideas are the exclusive property of MKEC Engineering (MKEC), and may not be used or reproduced in any way without the express consent of MKEC.

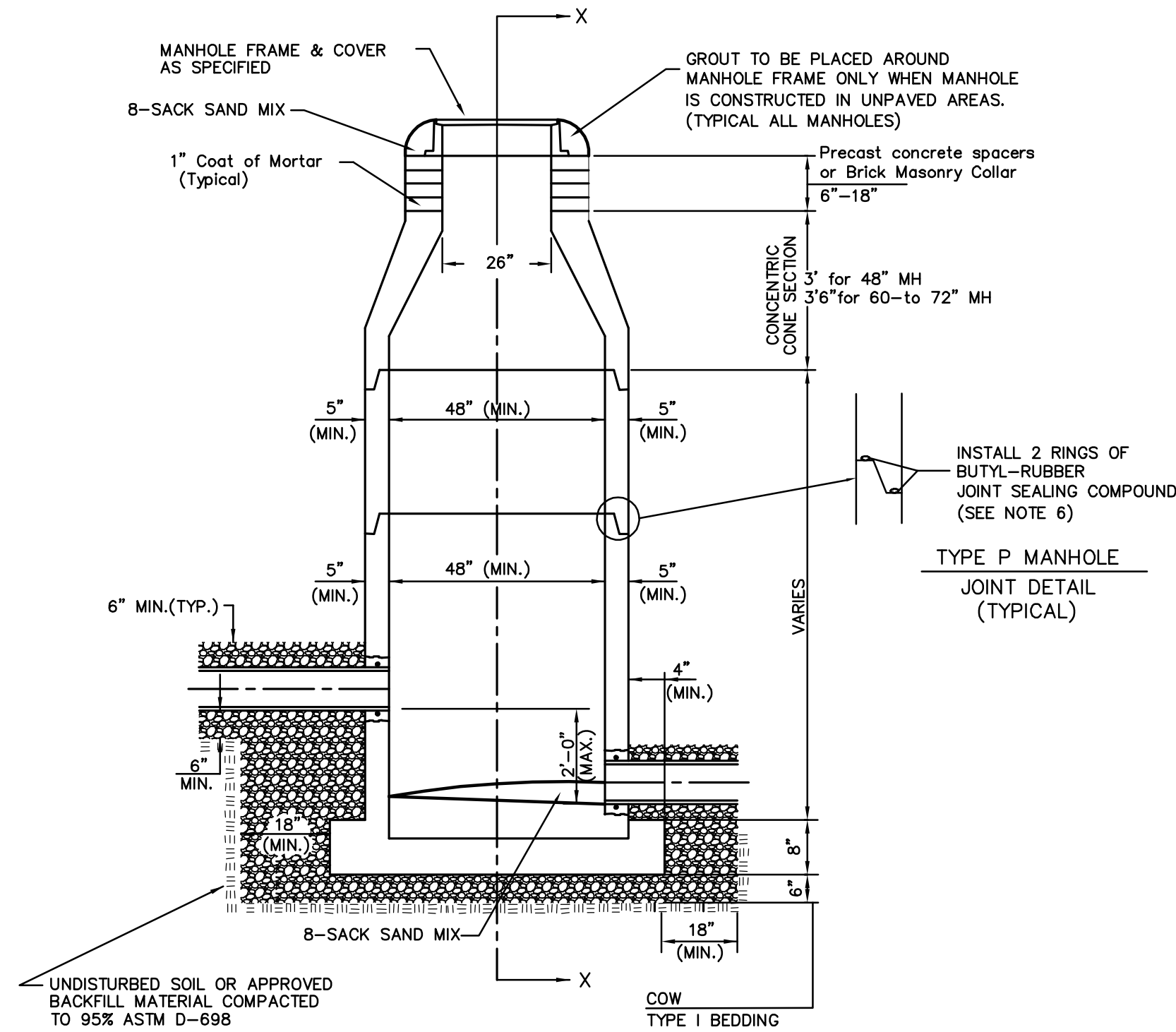
TITLE SHEET

PROJECT NO.	2179PPS
DATE	OCTOBER 2013
SCALE	1"=60'
DESIGNED	SPE
DRAWN	SPE
CHECKED	GJA

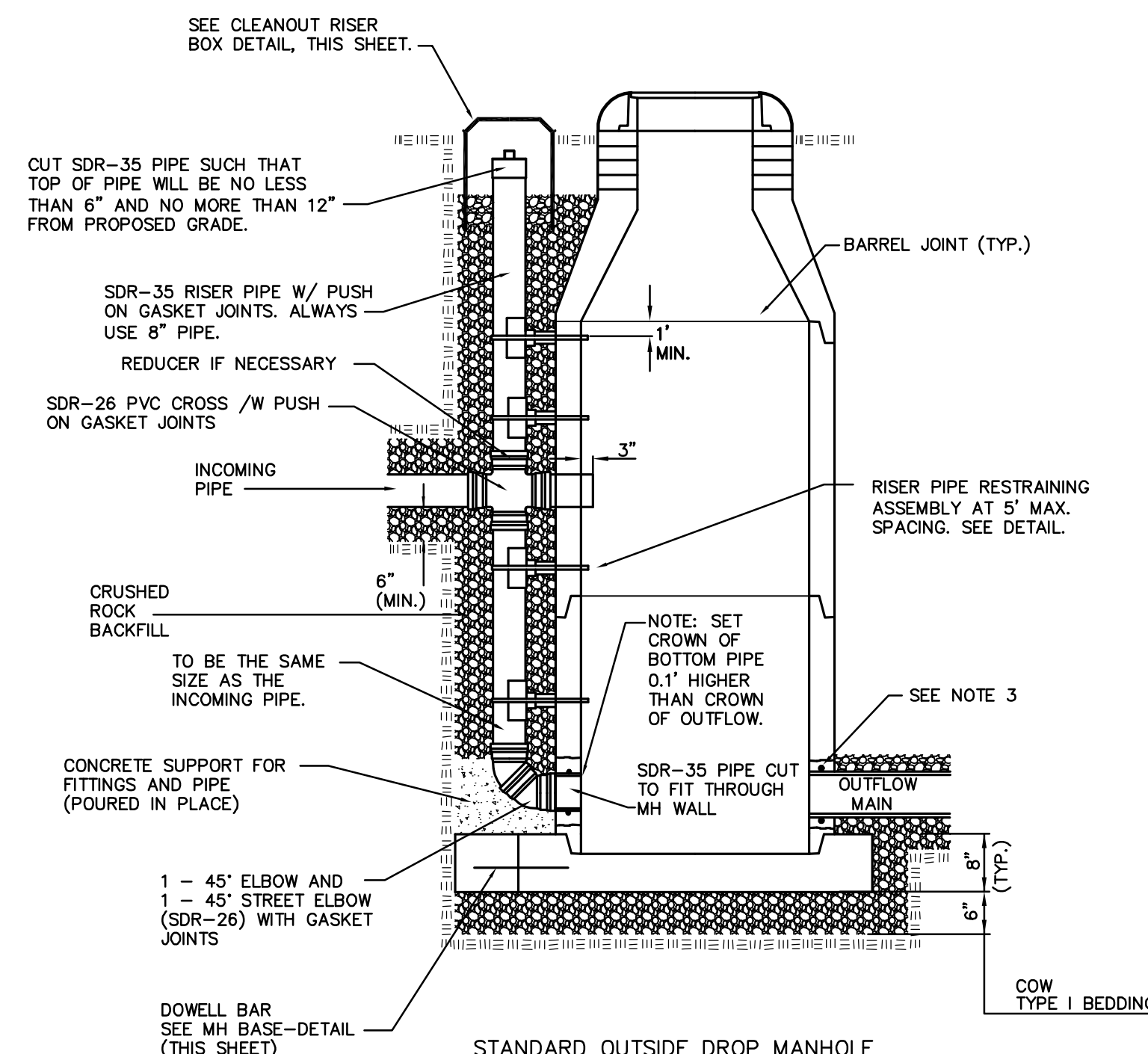
NO.	REVISION	DATE



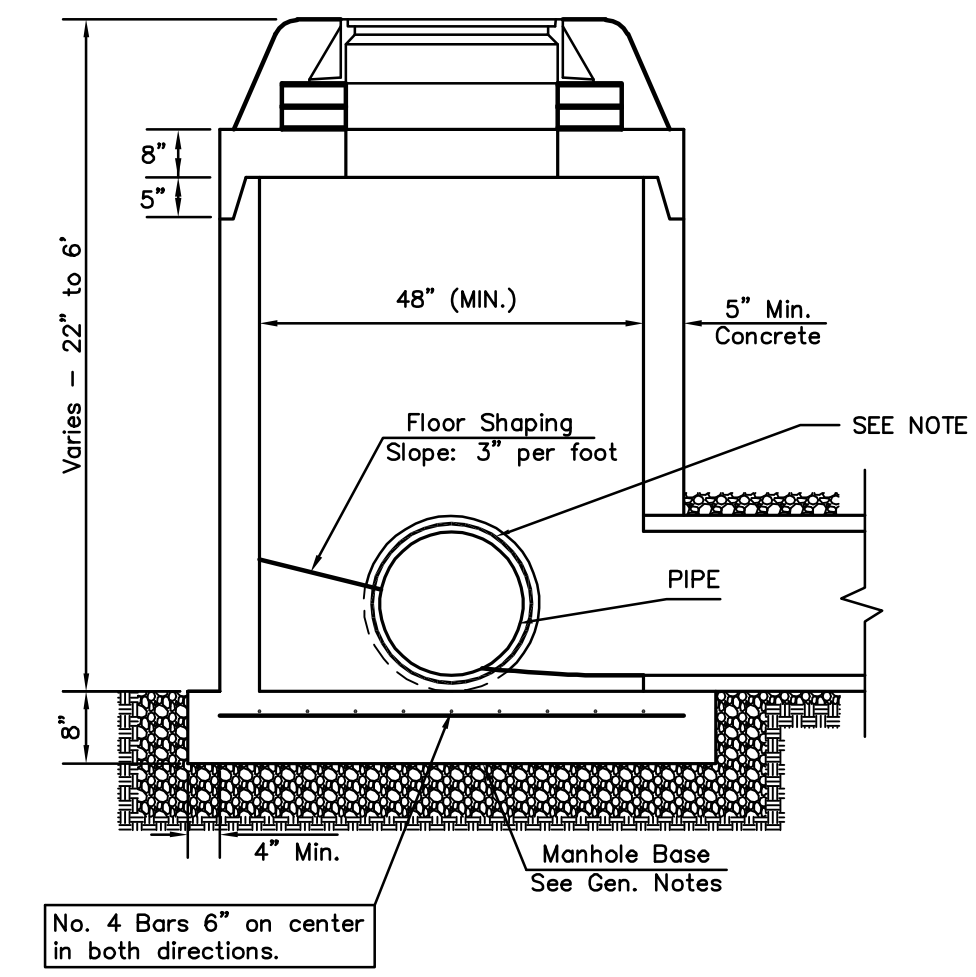
DOG HOUSE MANHOLE
(OVER EXISTING PIPE)
Not to Scale



STANDARD MANHOLE
Not to Scale



STANDARD OUTSIDE DROP MANHOLE
Not to Scale

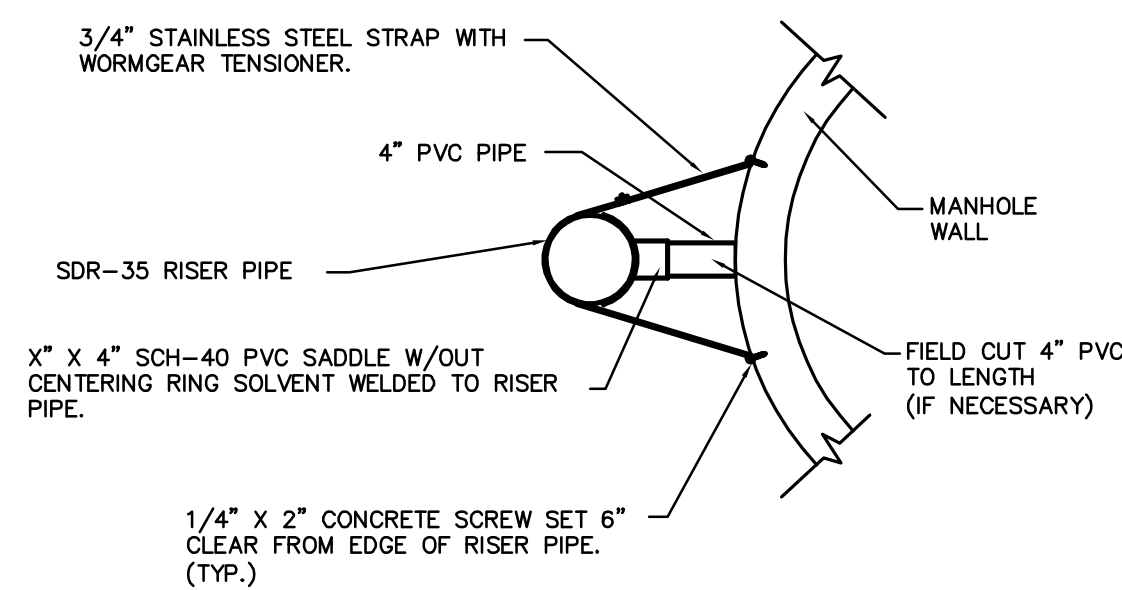


SHALLOW MANHOLE
Not to Scale

 = COW TYPE I BEDDING
 = UNDISTURBED SOIL

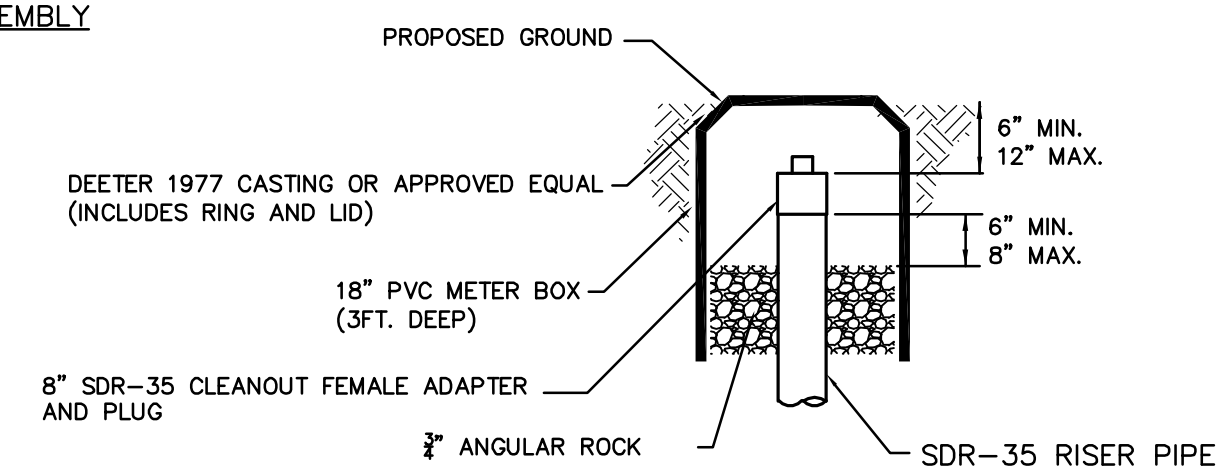
PRECAST MANHOLE GENERAL NOTES

- ALL PRECAST CONCRETE MANHOLE SECTIONS SHALL CONFORM TO THE LATEST REVISIONS OF A.S.T.M. C478 AS MODIFIED BY THE SPECIFICATIONS.
- NON-SHRINK GROUT SHALL BE NON-METALLIC TYPE.
- APPROVED FLEXIBLE WATERSTOP SHALL BE INSTALLED TO JOIN THE SEWER PIPE TO THE MANHOLE WALL. THE SEWER PIPE SHALL BE SUPPORTED WITH CRUSHED ROCK A MINIMUM OF 3 FEET FROM THE FEET FROM THE MANHOLE WALL AND TO THE FIRST JOINT FOR V.C.P. SUCH THAT THE JOINT REMAINS FLEXIBLE.
- ALL INSIDE SURFACES OF THE CONCRETE MANHOLE WHICH WOULD BE EXPOSED TO SEWER GAS SHALL BE COATED PER SECTION 804.4 OF STANDARD SPECIFICATIONS.
- EXTERIOR MANHOLE WALLS SHALL BE COATED PER SECTION 804.4 OF STANDARD SPECIFICATIONS.
- JOINT SEALING COMPOUND SHALL BE PER 804.4 OF STANDARD SPECIFICATIONS.
- ALL MANHOLE SECTION JOINTS THAT WILL BE IN GROUNDWATER OR GREATER THAN 12' DEEP SHALL BE WRAPPED WITH AN EXTERNAL JOINT SEAL PER SECTION 804.4 OF STANDARD SPECIFICATIONS, AS INDICATED BY THE PLANS.
- PRECAST MANHOLES SHALL BE SET AT LEAST 4 INCHES INTO THE MANHOLE BASE FOR DOG HOUSE MANHOLES.
- TOP OF MANHOLE FLOOR SLAB SHALL BE AT LEAST 3 INCHES BELOW THE FLOW LINE OF THE OUTLET PIPE TO INSURE SUFFICIENT MINIMUM THICKNESS OF SHAPED INVERT.
- LIFTING HOLES SHALL BE FILLED WITH NON-SHRINK GROUT AND THE INTERIOR SURFACE COATED AS SPECIFIED.
- MORTAR USED IN MASONRY CONSTRUCTION SHALL CONTAIN 8 SACKS OF CEMENT PER CUBIC YARD. CONCRETE USED IN MANHOLE BASES SHALL CONFORM TO THE REQUIREMENTS OF CONCRETE FOR CONCRETE PAVEMENT CONSTRUCTION AS SPECIFIED IN THE CITY STANDARD PAVING SPECIFICATIONS USING CITY CONCRETE PAVEMENT MIX WITHOUT AIR ENTRAINING ADMIXTURE. MORTAR SHALL BE PLACED AROUND THE MANHOLE RING AS SHOWN ON THE DRAWINGS WHEN MANHOLES ARE CONSTRUCTED IN UNPAVED AREAS. COMPLETED MANHOLE SHALL BE WITHOUT LEAKS AND WATER TIGHT.
- REINFORCING STEEL SHALL BE INSTALLED IN THE MANHOLE BASES AND SHALL CONSIST OF NO. 4 BARS PLACED ON 6" CENTERS IN BOTH DIRECTIONS. THE MANHOLE BASE REINFORCEMENT SHALL BE PLACED AT LEAST 3" ABOVE THE BOTTOM OF THE MANHOLE BASE. ALL COSTS FOR FURNISHING AND INSTALLING REINFORCING STEEL SHALL BE INCLUDED IN THE UNIT PRICE BID FOR THE MANHOLE.
- WALL THICKNESS SHALL BE 1" GREATER THAN MANHOLE DIAMETER IN FEET.
- OPENINGS SHALL BE CORE DRILLED INTO THE MANHOLE WALL WHEN OUTSIDE DROPS ARE CONSTRUCTED ON EXISTING MANHOLES. SUCH OPENINGS DRILLED INTO EXISTING MANHOLES SHALL BE AS SMALL AS PRACTICAL TO FACILITATE INSTALLING AND GROUTING THE NEW PIPE IN PLACE. WATERSTOP GASKETS SHALL BE USED WITH P.V.C. PIPE. THE NEW PIPE SHALL BE GROUTED INTO THE OPENING USING AN APPROVED NONSHRINK GROUT FOR THE FULL MANHOLE WALL THICKNESS. THE EXTERIOR OF THE COMPLETED CONNECTION SHALL BE SEALED WITH AN APPROVED BITUMINOUS COATING SUCH THAT THE CONNECTION WILL BE WATER TIGHT. FLOOR OF MANHOLE SHALL BE MODIFIED TO FORM NEW FLOW CHANNEL FOR THE NEW CONNECTION AS INDICATED BY THE DRAWING. THIS WORK, INCLUDING MODIFICATION OF MANHOLE FLOOR, SHALL BE PAID FOR AT THE UNIT PRICE BID FOR OUTSIDE DROP STACK CONSTRUCTED ON EXISTING MANHOLE.
- THE FLOORS OF ALL MANHOLES SHALL BE SHAPED WITH FLOW CHANNELS SUCH THAT THE MANHOLES WILL BE SELF CLEANING AND FREE OF AREAS WHERE SOLIDS COULD BE DEPOSITED AS SEWAGE FLOWS THROUGH THE MANHOLE FROM ALL INLET PIPES TO THE OUTLET PIPE. FLOW CHANNELS SHALL BE FORMED TO MATCH THE BOTTOM HALVES OF THE INFLOWING PIPES AND THE OUTFLOWING PIPE AS SHOWN BY THE DRAWINGS. MANHOLE FLOORS SHALL HAVE SLOPES OF 3 INCHES PER FOOT IN THE AREAS OUTSIDE OF THE FLOW CHANNELS SLOPED TOWARD THE FLOW CHANNELS. PIPES LAID THROUGH MANHOLES SHALL HAVE THE TOP HALF REMOVED TO NEAT LINES FOR THE FULL INSIDE DIAMETER OF THE MANHOLE. MANHOLE FLOORS SHALL THEN BE SHAPED AROUND THE BOTTOM HALF OF THE PIPE WHICH FORMS THE FLOW CHANNEL.
- MANHOLE COVER CASTINGS AND MANHOLE FRAME CASTINGS SHALL CONFORM TO THE REQUIREMENTS AS INDICATED IN THE STANDARD SPECIFICATIONS AND AS SHOWN IN THE STANDARD DETAIL DRAWING.
- THE VERTICAL DROP IN STANDARD MANHOLES SHALL NOT EXCEED 2' REGARDLESS OF PIPE SIZE. THE CROWNS OF INFLOWING PIPES SHALL NEVER BE SET LOWER THAN THE CROWN OF THE OUTFLOWING PIPE.
- STANDARD MANHOLES SHALL BE BID AS STANDARD MANHOLES FOR THE TYPE AND DIAMETER INDICATED. OUTSIDE DROP MANHOLES SHALL BE BID AS STANDARD OUTSIDE DROP MANHOLES FOR THE TYPE AND DIAMETER INDICATED. ALL MANHOLE DIAMETERS WILL BE 4' UNLESS INDICATED OTHERWISE.
- PRECAST CONCRETE SPACERS OR BRICK MASONRY COLLAR SHALL BE INSTALLED BETWEEN THE CAST IRON FRAME AND THE CONCENTRIC CONE. THE COLLAR WILL HAVE 8" WALLS AND A VERTICAL HEIGHT OF 6" MINIMUM AND 18" MAXIMUM. A 1" COAT OF MORTAR WILL BE PLASTERED ON THE OUTSIDE OF THE COLLAR. THE USE OF PRE-CAST CONCRETE SPACERS FOR MANHOLE TOP ADJUSTMENT IS ALSO ALLOWED.
- THE FULL DIAMETER OF THE MANHOLE SHALL EXTEND THE ENTIRE DEPTH OF THE MANHOLE TO THE CONE SECTION. NO REDUCTION IN MANHOLE DIAMETER WILL BE ALLOWED.
- REFER TO PLANS FOR SIZE OF OUTSIDE DROP RISER, SADDLES AND CROSS.

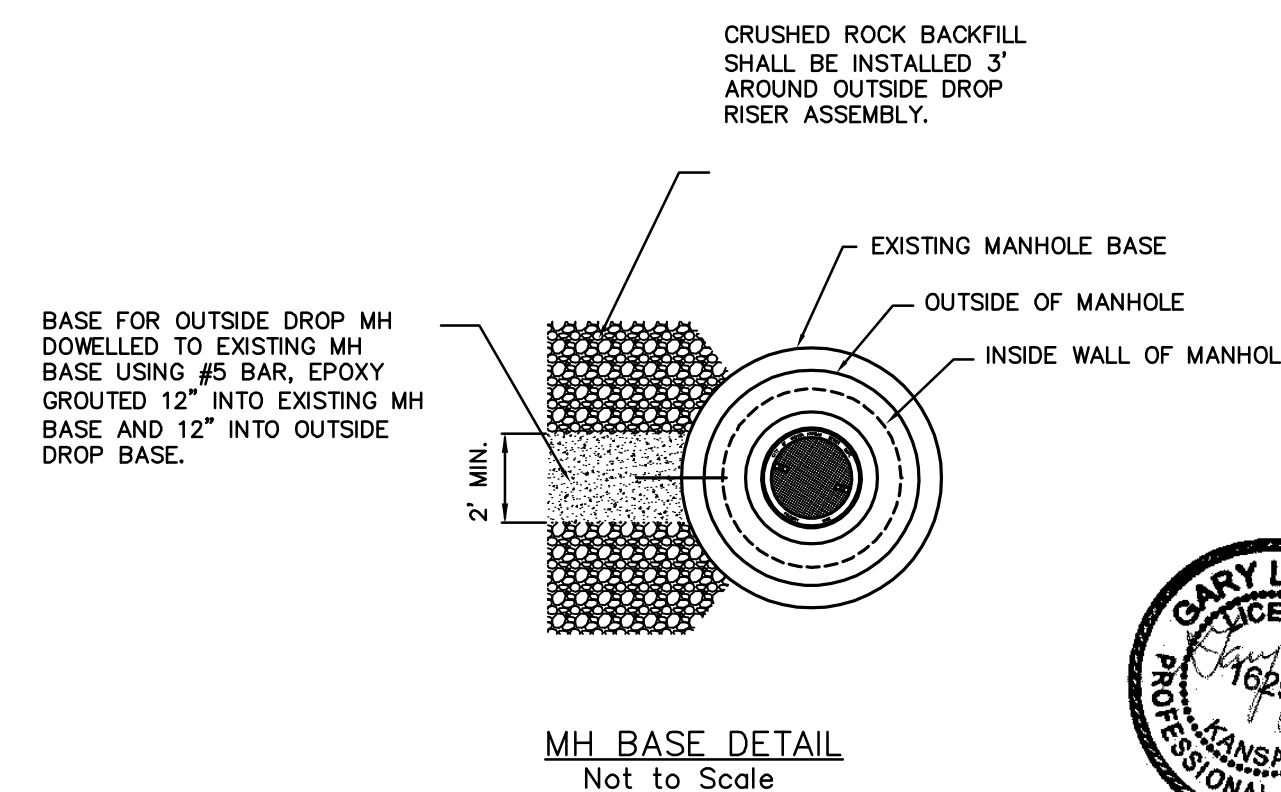


RISIER PIPE RESTRAINING ASSEMBLY
Not to Scale

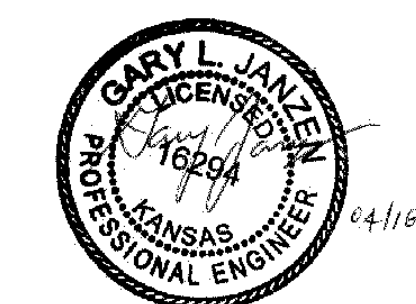
SANITARY SEWER MANHOLE DIAMETERS		
DIAMETER	DEPTH	PIPE SIZE
4'	0'-15'	8"-18"
5'	15'-30'	21"-30"
6'	>30'	36"-60"




CLEANOUT RISIER BOX DETAIL
Not to Scale



MH BASE DETAIL
Not to Scale





CITY OF WICHITA
PUBLIC WORKS & UTILITIES
ENGINEERING DIVISION

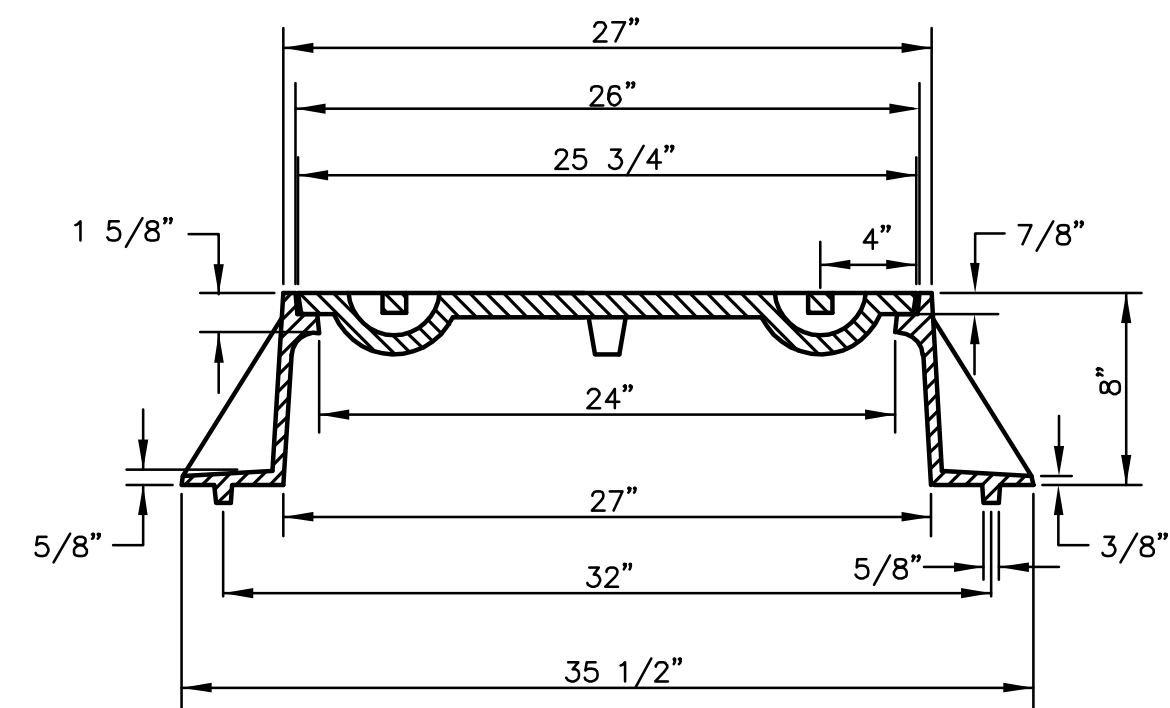
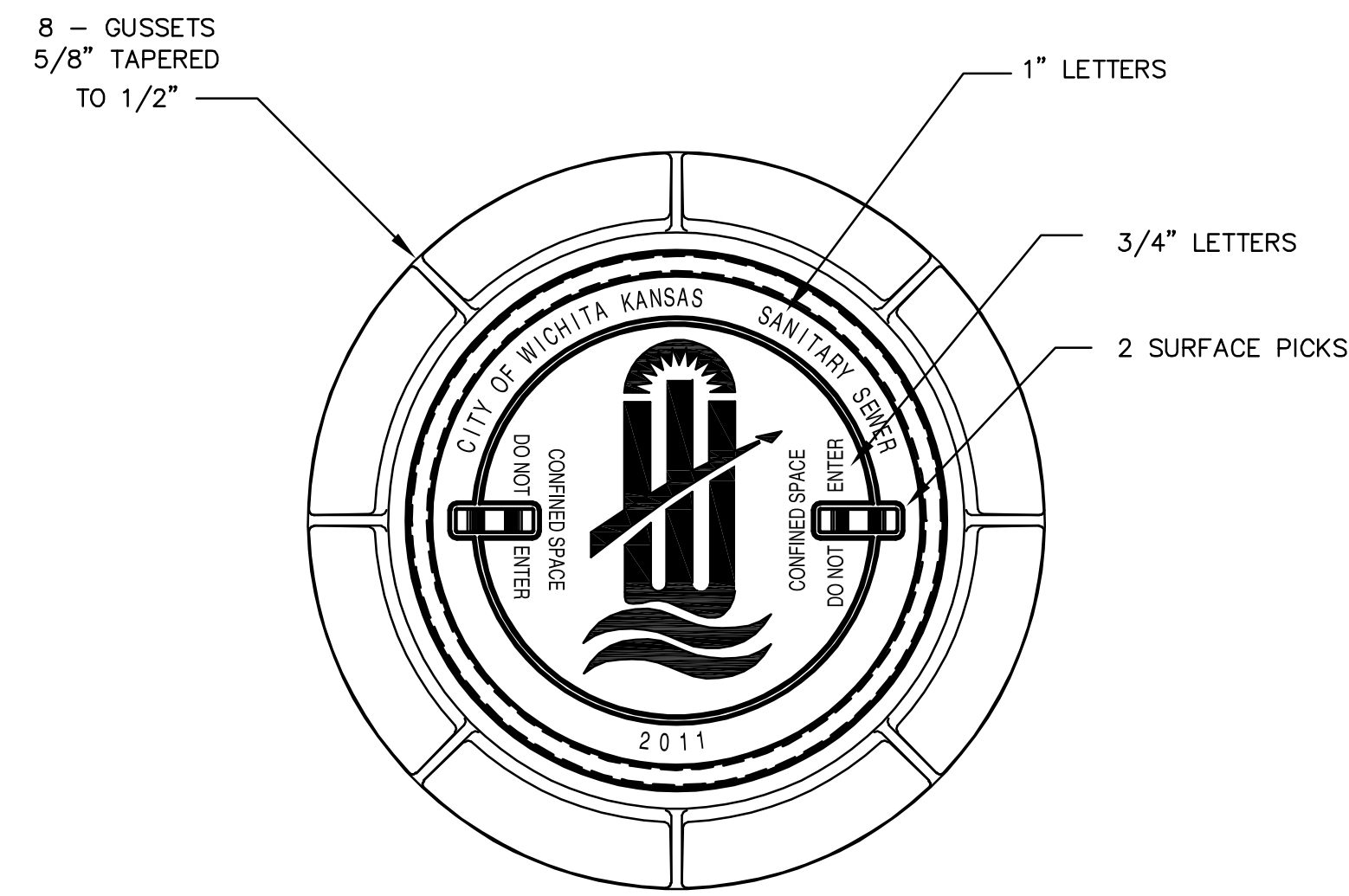
PRECAST SANITARY SEWER MANHOLE

CITY ENGINEER
GARY JANZEN, P.E.

PROJECT NUMBER 2179PPS	OCA NUMBER 607861	DATE 01/2012
----------------------------------	-----------------------------	------------------------

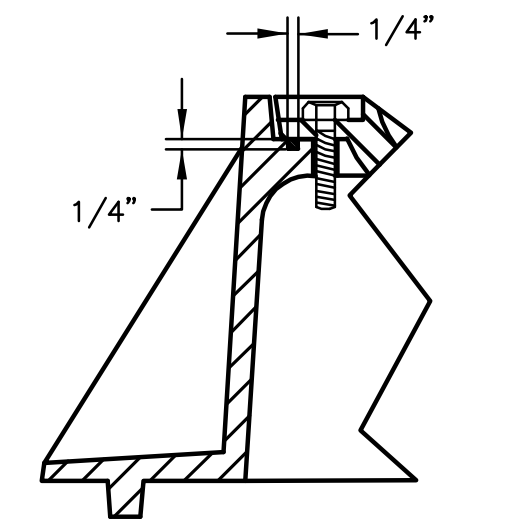
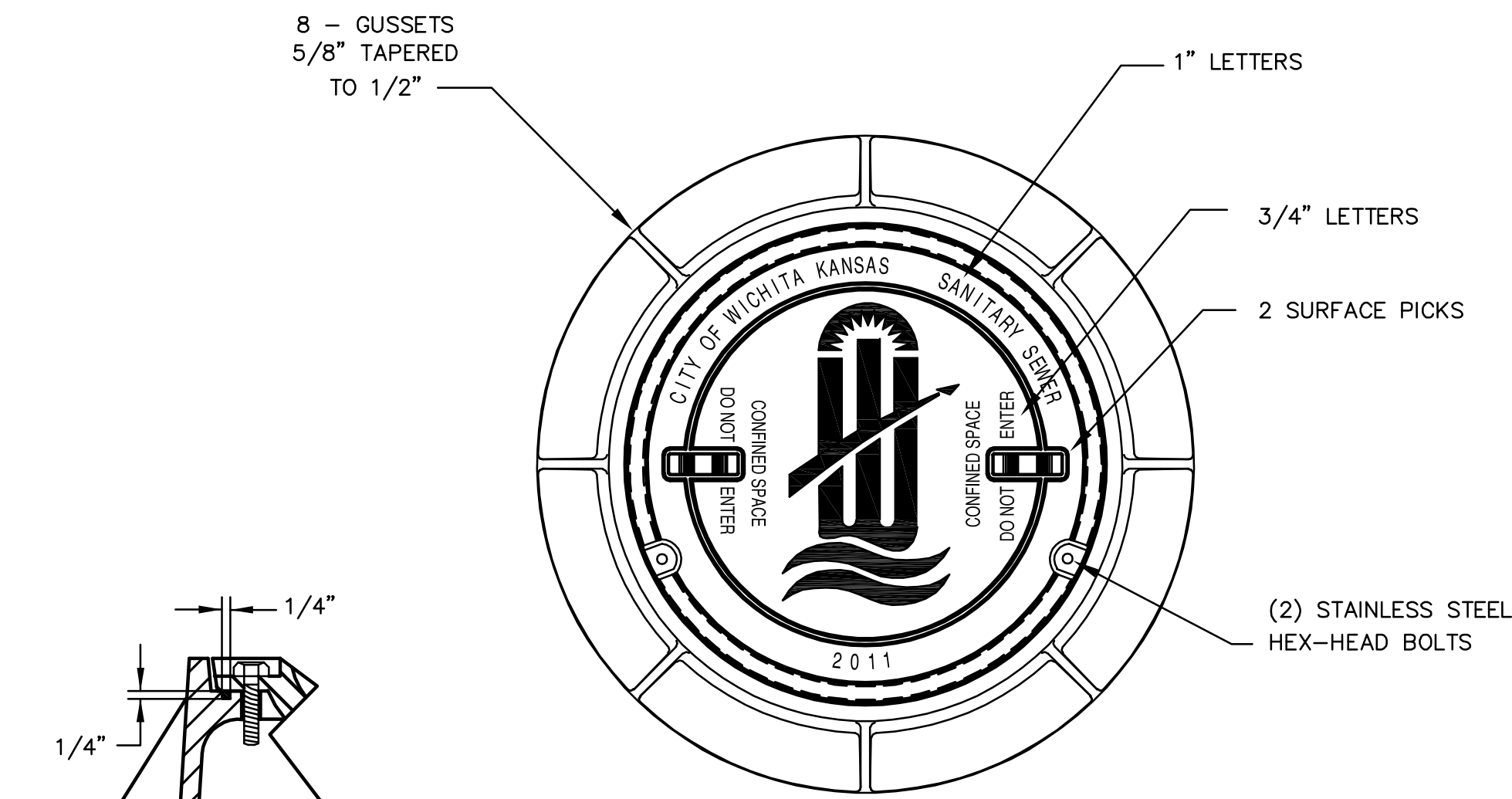
CITY ENGINEER'S OFFICE
CITY HALL - SEVENTH FLOOR
455 NORTH MAIN STREET
WICHITA, KANSAS 67202-1620
(316) 268-4501

SHEET
2 OF 6

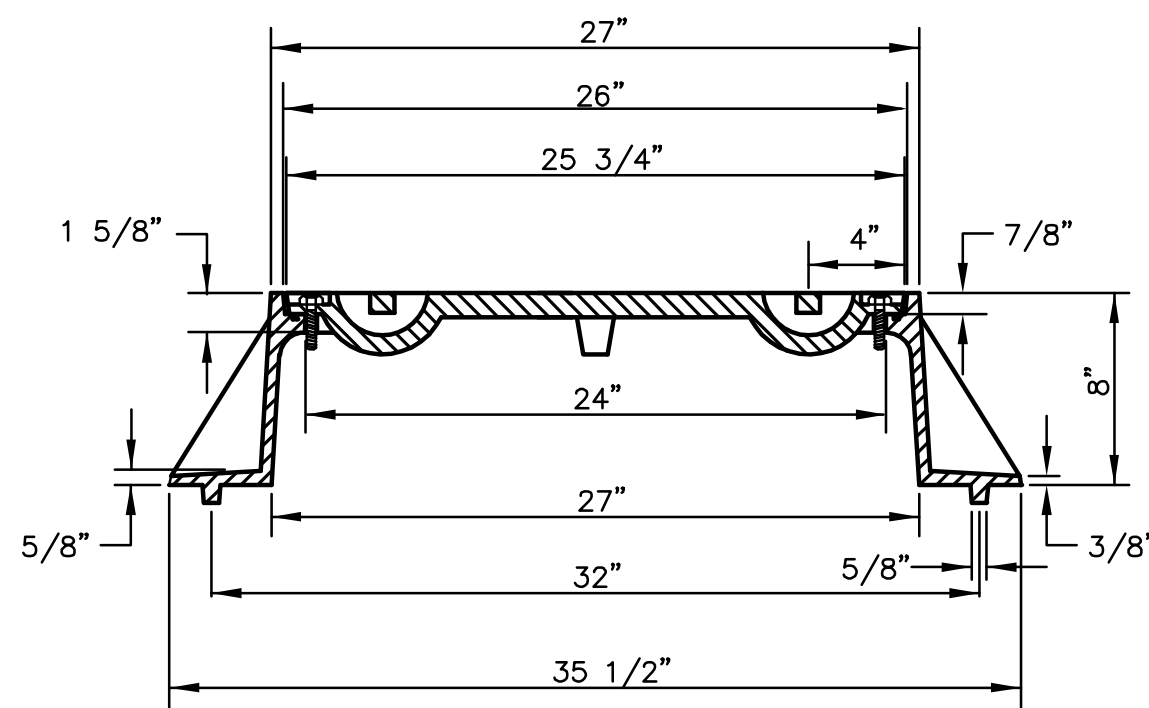


STANDARD MANHOLE FRAME & COVER
DEETER #1261 OR EJIW #1936-Z1

NOTE:
1. FURNISHED WITH MACHINED HORIZONTAL BEARING SURFACE.

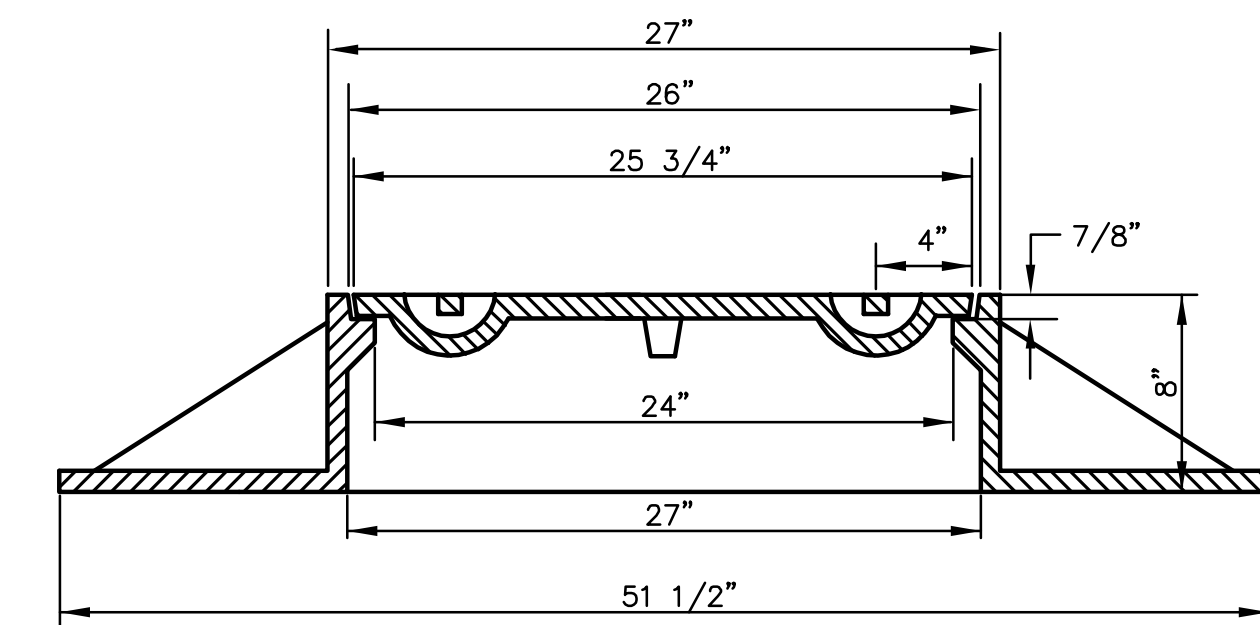
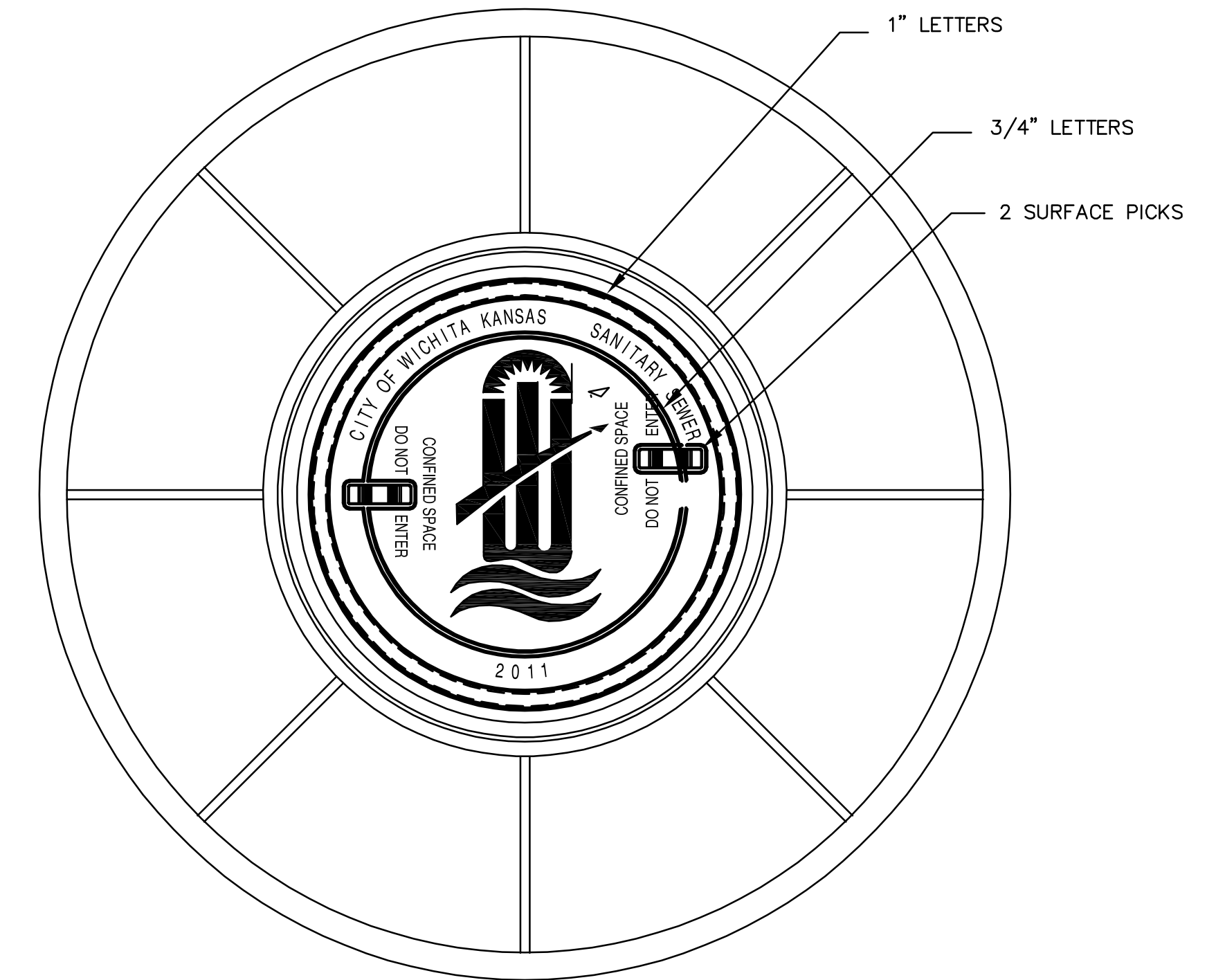


DETAIL OF T-GASKET



BOLT DOWN MANHOLE FRAME & COVER
DEETER #1261 OR EJIW #1936-Z1

NOTE:
1. FURNISHED WITH MACHINED HORIZONTAL BEARING SURFACE.
2. FURNISHED WITH A T-GASKET IN THE FRAME.

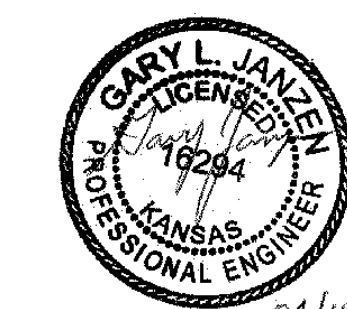



WIDE FLANGED FRAME & COVER
DEETER #1261A

NOTE:
1. FURNISHED WITH MACHINED HORIZONTAL BEARING SURFACE.

GENERAL NOTES

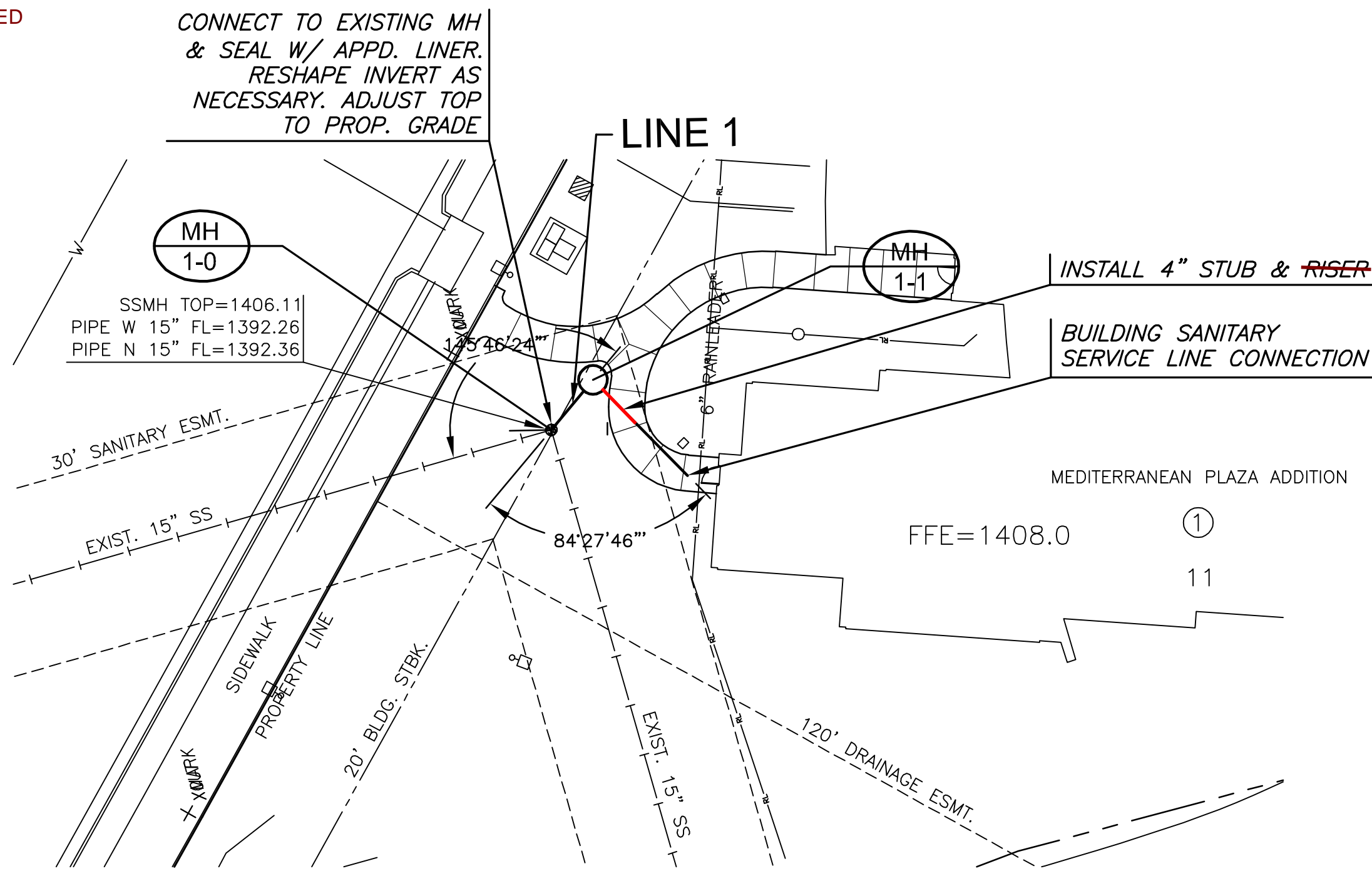
- MANHOLE CASTINGS SHALL BE MANUFACTURED USING GOOD QUALITY GRAY IRON CONFORMING TO CLASS 30 OF A.S.T.M. DESIGNATION A-48. DIMENSIONS SHOWN ON THE DETAILED DRAWINGS SHALL BE CONSIDERED AS MINIMUM REQUIREMENTS AND ANY DEVIATIONS FROM THE DIMENSIONS SHOWN MUST BE SPECIFICALLY APPROVED. THE FINISHED CASTINGS SHALL BE OF UNIFORM QUALITY, FREE FROM BLOWHOLES, POROSITY, HARD SPOTS, SHRINKAGE DISTORTIONS OR OTHER DEFECTS.
- MANHOLE CASTINGS SHALL BE MANUFACTURED SUCH THAT A COVER MANUFACTURED BY ANY ONE FOUNDRY WILL FIT INTERCHANGEABLY INTO A FRAME MANUFACTURED BY ANOTHER FOUNDRY AND STILL MEET ALLOWABLE CLEARANCES AND NON-ROCKING REQUIREMENTS. THIS WILL REQUIRE MANUFACTURING OF THE MATCHING FACES ON THE COVER AND THE FRAME TO CLOSE TOLERANCES.
- THE OUTSIDE CIRCUMFERENCE OF THE VERTICAL FACE OF THE COVER AND THE INSIDE CIRCUMFERENCE OF THE VERTICAL FACE IN THE FRAME RECESS SHALL BE MANUFACTURED TO TOLERANCES SUCH THAT THE CLEARANCE BETWEEN THE COVER AND FRAME WILL NOT EXCEED 1/8" AT ANY POINT AROUND THE CIRCUMFERENCE OF THE COVER. THE SEATING SURFACES BETWEEN THE COVER AND FRAME SHALL BE MACHINED SUCH THAT THESE SEATING SURFACES SHALL MAKE FULL CONTACT FOR THEIR FULL CIRCUMFERENCE TO PRECLUDE THE COVER FROM ROCKING IN THE FRAME.
- THE MANHOLE FRAME AND COVER SHALL BE MARKED WITH LETTERING INDICATING THE NAME OF THE MANUFACTURER AND THE YEAR WHEN THE COVER OR FRAME WAS CAST. THE COVER SHALL BE FURTHER IDENTIFIED WITH REGARDS TO OWNERSHIP USING LETTERS AT LEAST 1 INCH IN HEIGHT. THIS IDENTIFICATION SHALL BE "CITY OF WICHITA SANITARY SEWER". THE TOP SURFACE OF THE COVER SHALL BE MANUFACTURED IN WITH CITY OF WICHITA DESIGN AS INDICATED ON THE DRAWINGS. SMOOTH BLOCKOUTS SHALL BE UTILIZED TO HIGHLIGHT THE LETTERING ON THE COVER SURFACE. THE TOTAL AREA OF SMOOTH SURFACE BLOCKOUT SHALL NOT EXCEED THE AREA AS INDICATED ON THE DRAWING. POSITIONING OF SMOOTH BLOCKOUTS AND LETTERING MAY VARY FROM THAT SHOWN ON THE DETAILED DRAWING.



 CITY OF WICHITA PUBLIC WORKS & UTILITIES ENGINEERING DIVISION	MANHOLE FRAME AND COVER (SANITARY SEWER)		
	CITY ENGINEER GARY JANZEN, P.E.		
	PROJECT NUMBER 2179PPS	OCA NUMBER 607861	DATE 12/2011
CITY ENGINEER'S OFFICE CITY HALL - SEVENTH FLOOR 455 NORTH MAIN STREET WICHITA, KANSAS 67202-1620 (316) 268-4501		SHEET 3 OF 6	

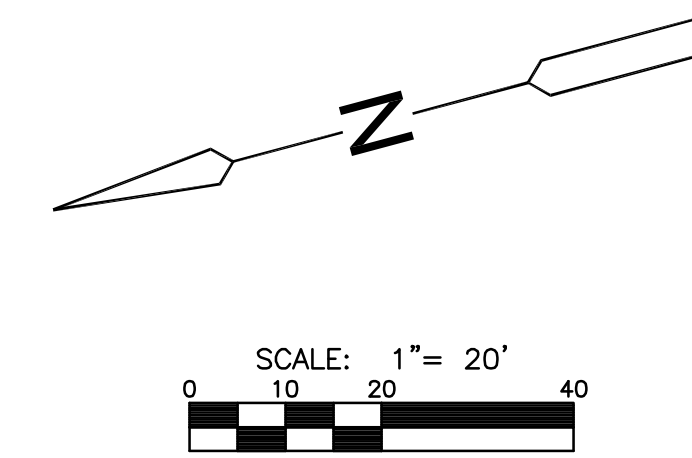


EXISTING MANHOLE WAS NOT LINED



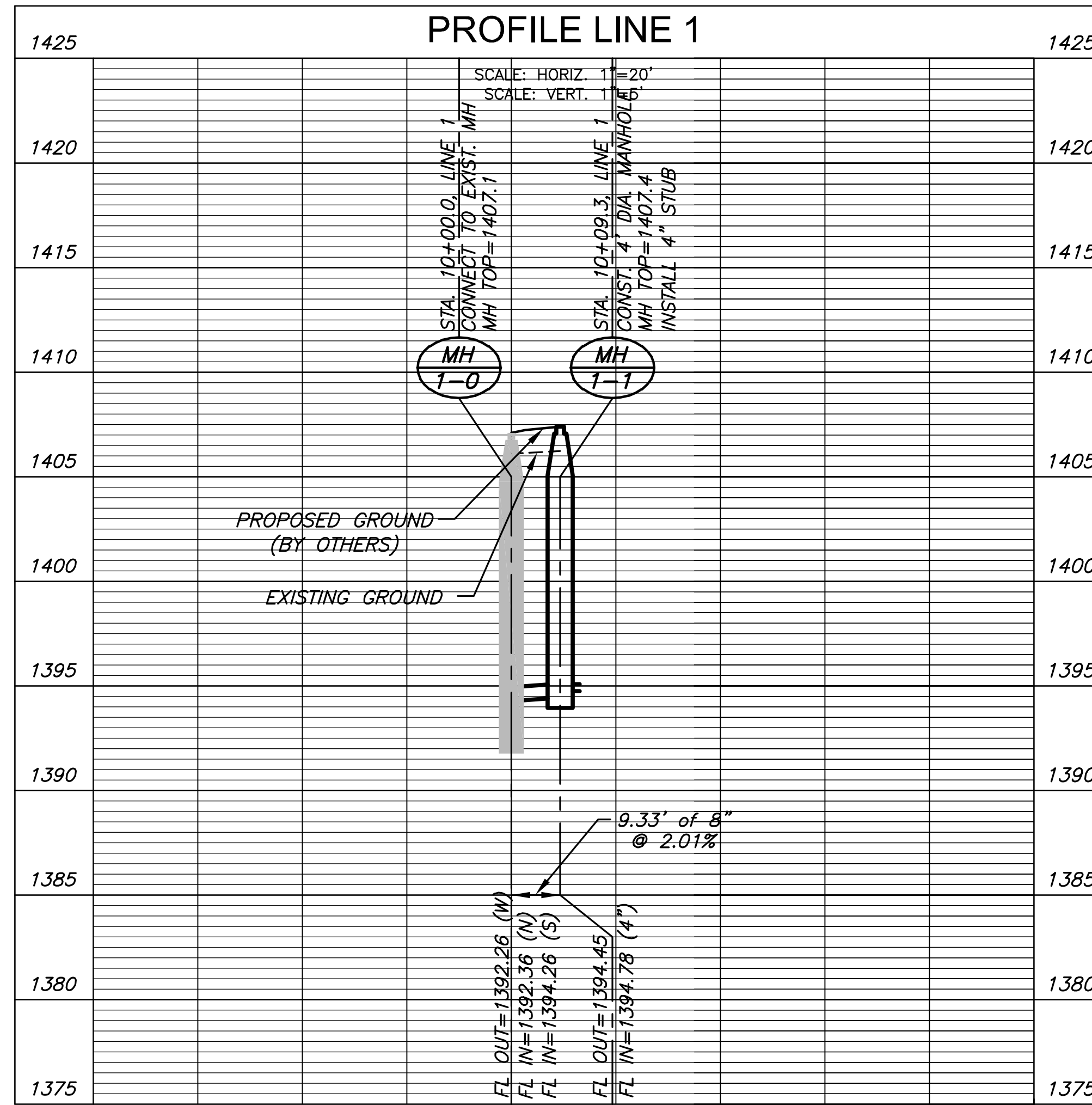
MANHOLE COORDINATES		
No.	Northing	Easting
MH 1-0	1706080.84	1678861.63
MH 1-1	1706071.98	1678867.88

*COORDINATES ARE TO CENTER OF STRUCTURE OR END OF PIPE



- NOTE:**
- CONTRACTOR TO VERIFY THE DEPTH AND LOCATION OF EXISTING UTILITIES PRIOR TO CONSTRUCTION.
 - 4" SANITARY SERVICE LINE. REVIEW & INSTALLATION GOVERNED BY MABCD.

**PLAN LINE 1
PROFILE LINE 1**



SANITARY SEWER PLANS FOR
FRANKENBERRY DENTAL OFFICE
 MEDITERRANEAN PLAZA ADDITION

©2013 MKEC Engineering All Rights Reserved
 www.mkec.com
 These drawings and their contents, including, but not limited to, all concepts, designs, & ideas are the exclusive property of MKEC Engineering (MKEC), and may not be used or reproduced in any way without the express consent of MKEC.

LINE 1 PLAN & PROFILE

PROJECT NO.	2179PPS	
DATE	OCTOBER 2013	
SCALE	1"=20'	
DESIGNED	DRAWN	CHECKED
SPE	SPE	GJA

NO.	REVISION	DATE

SHEET NO.

FINAL PLAT OF MEDITERRANEAN PLAZA

AN ADDITION TO WICHITA, SEDGWICK COUNTY, KANSAS

Lot No.	Block No.	Minimum Lot Area (City Code)	Minimum Lot Area (U.S.C.S.)
10	1	219.5	1406.9
11	1	219.5	1406.9
12	1	219.5	1406.9
13	1	219.5	1406.9
14	1	219.5	1406.9
15	1	219.5	1406.9
16	1	219.5	1406.9
17	1	219.5	1406.9
18	1	219.5	1406.9
19	1	219.5	1406.9
20	1	219.5	1406.9
21	1	219.5	1406.9
22	1	219.5	1406.9
23	1	219.5	1406.9
24	1	219.5	1406.9
25	1	219.5	1406.9
26	1	219.5	1406.9
27	1	219.5	1406.9
28	1	219.5	1406.9
29	1	219.5	1406.9
30	1	219.5	1406.9
31	1	219.5	1406.9
32	1	219.5	1406.9
33	1	219.5	1406.9
34	1	219.5	1406.9
35	1	219.5	1406.9
36	1	219.5	1406.9
37	1	219.5	1406.9
38	1	219.5	1406.9
39	1	219.5	1406.9
40	1	219.5	1406.9
41	1	219.5	1406.9
42	1	219.5	1406.9
43	1	219.5	1406.9
44	1	219.5	1406.9
45	1	219.5	1406.9
46	1	219.5	1406.9
47	1	219.5	1406.9
48	1	219.5	1406.9
49	1	219.5	1406.9
50	1	219.5	1406.9
51	1	219.5	1406.9
52	1	219.5	1406.9
53	1	219.5	1406.9
54	1	219.5	1406.9
55	1	219.5	1406.9
56	1	219.5	1406.9
57	1	219.5	1406.9
58	1	219.5	1406.9
59	1	219.5	1406.9
60	1	219.5	1406.9
61	1	219.5	1406.9
62	1	219.5	1406.9
63	1	219.5	1406.9
64	1	219.5	1406.9
65	1	219.5	1406.9
66	1	219.5	1406.9
67	1	219.5	1406.9
68	1	219.5	1406.9
69	1	219.5	1406.9
70	1	219.5	1406.9
71	1	219.5	1406.9
72	1	219.5	1406.9
73	1	219.5	1406.9
74	1	219.5	1406.9
75	1	219.5	1406.9
76	1	219.5	1406.9
77	1	219.5	1406.9
78	1	219.5	1406.9
79	1	219.5	1406.9
80	1	219.5	1406.9
81	1	219.5	1406.9
82	1	219.5	1406.9
83	1	219.5	1406.9
84	1	219.5	1406.9
85	1	219.5	1406.9
86	1	219.5	1406.9
87	1	219.5	1406.9
88	1	219.5	1406.9
89	1	219.5	1406.9
90	1	219.5	1406.9
91	1	219.5	1406.9
92	1	219.5	1406.9
93	1	219.5	1406.9
94	1	219.5	1406.9
95	1	219.5	1406.9
96	1	219.5	1406.9
97	1	219.5	1406.9
98	1	219.5	1406.9
99	1	219.5	1406.9
100	1	219.5	1406.9

