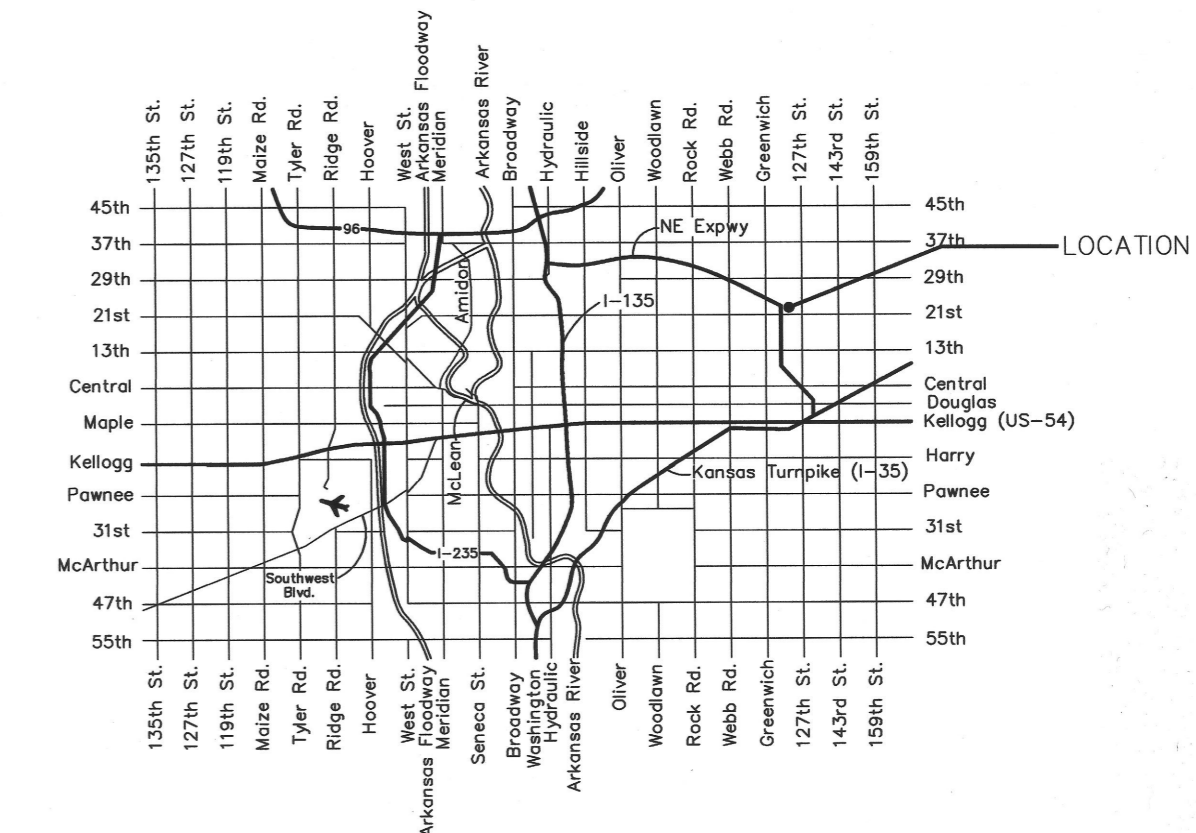


SWS IMPROVEMENTS TO SERVE MESSIAH BAPTIST CHURCH 4TH ADDITION

Private Project Number: 161PPD
CITY OF WICHITA, KANSAS
Gary Janzen, P.E. City Engineer
April, 2013



Vicinity Map

Index

Sewer Cover Sheet	1
Storm Sewer Plan/Profile Sheet & SNOUT Detail	2
Type P Manhole Detail	3

GENERAL NOTES:

- Contractor will be required to provide notice to utility companies a minimum of twenty-four (24) hours prior to any excavation, as follows:

Kansas One-Call	687-2470
-----------------	----------

The Contractor must notify the following in case of an emergency:

Cox Communications, Inc.	262-0661
K.G.E. Electric Service	383-8650
Kansas Gas Service	383-8600
Peoples Gas Company	942-8350
Southwestern Bell Telephone Company	1-571-2611
City of Wichita Water Dept.	268-4908
City of Wichita Traffic Engineering	269-4446
- Contractor shall not start work on the project until the project inspector is assigned to the project and is present on the site. Any work done without inspection will be required to be uncovered for inspection.
- Rubble from the removal of miscellaneous structures and excess excavation which is to be wasted shall be disposed of on sites to be provided by the Contractor. These sites shall be approved by the Engineer as to suitability, appearance and site location. Locations that, in the opinion of the Engineer, will leave an unsightly appearance will not be approved.

APPROVED AS NOTED
BY CITY ENGINEER OF WICHITA

Engineering Juliana Kallman 4-3-13
Storm Drainage Gary Janzen 4-3-13

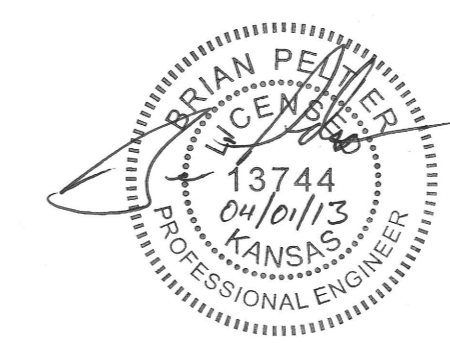
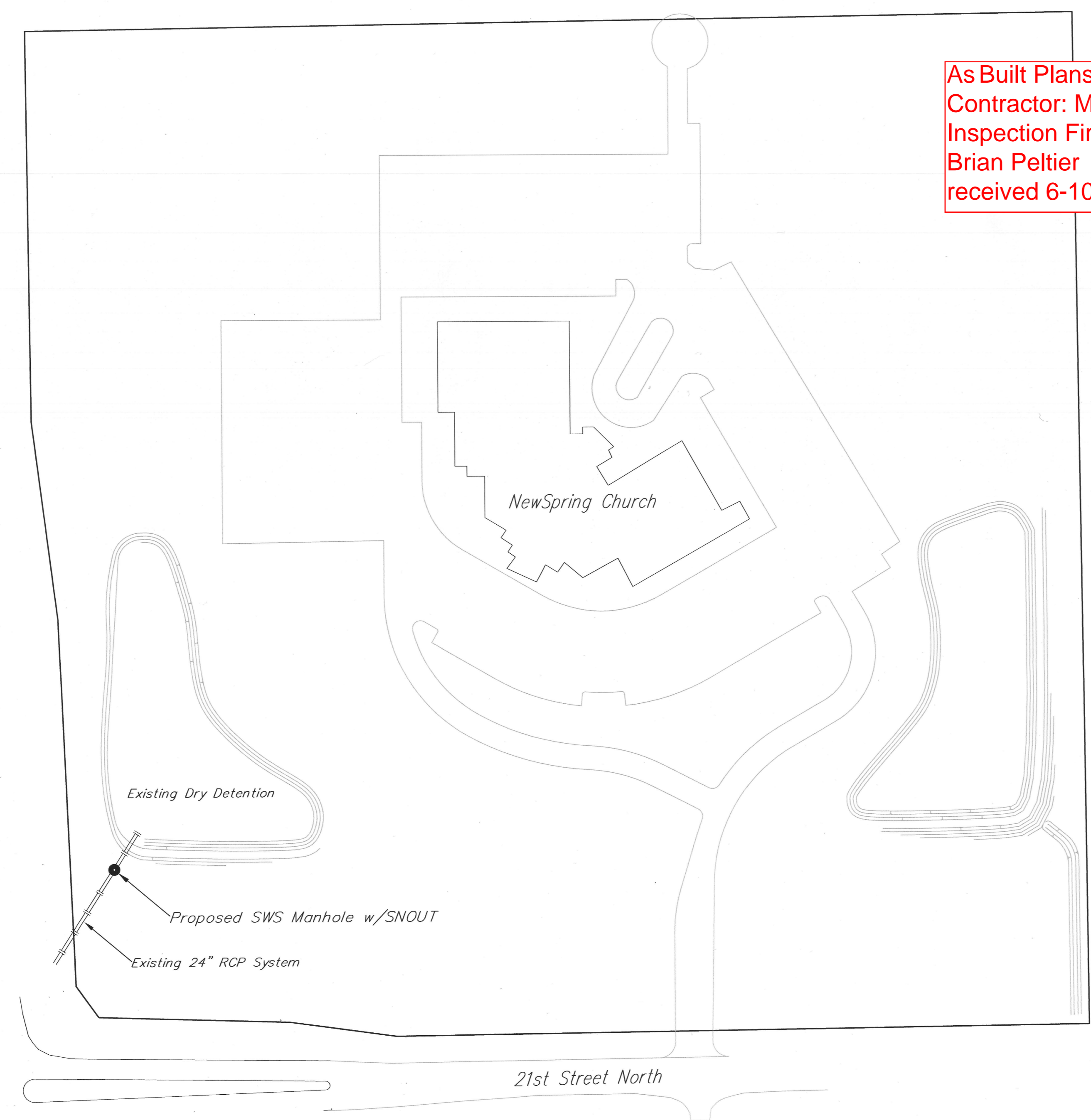
NOTE TO CONTRACTORS

Installation, Inspection and Testing for this project is to be provided by a Licensed Consulting Engineering Firm under contract with the Owner/Developer. Said Inspection to be in accordance with the City of Wichita Standard Construction Engineering Practices and certified by a Licensed Professional Engineer. No work shall be performed in dedicated easements or public right-of-way by the Contractor without such inspection nor shall any work be commenced without written authorization by the City Engineer. All Construction and Materials shall comply with the City of Wichita Specifications and Standards (on file and available in the City Engineer's Office).

As Built Plans:
Contractor: Mies Construction, Inc.
Inspection Firm: Merestone Surveying, LLC
Brian Peltier
received 6-10-14



K-96 Hwy



K-96 Hwy

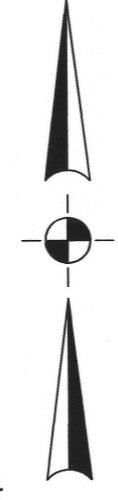
West Line of Messiah Baptist Church 4th Addition

10' UTILITY EASEMENT

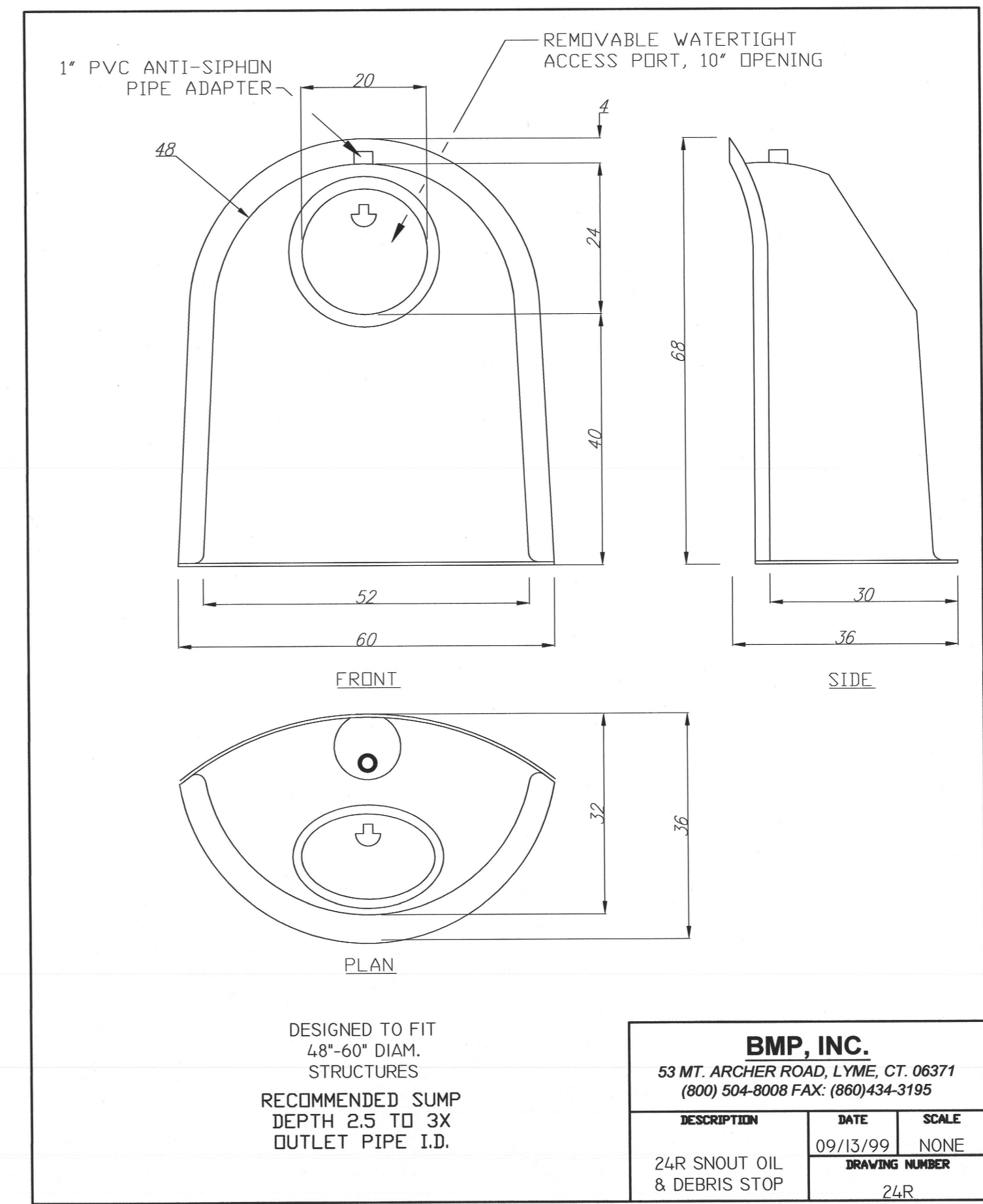
Existing Dry Detention

Existing 24" RCP

Const. Std 60" dia.
Manhole w/SNOUT over
existing 24" RCP
Top Elev. = ~~1378.40~~ 1379.00
State Plane Coordinates:
N: 1699902.41
E: 1688750.24
Asbuilt: N: 1699902.2
E: 1688749.4

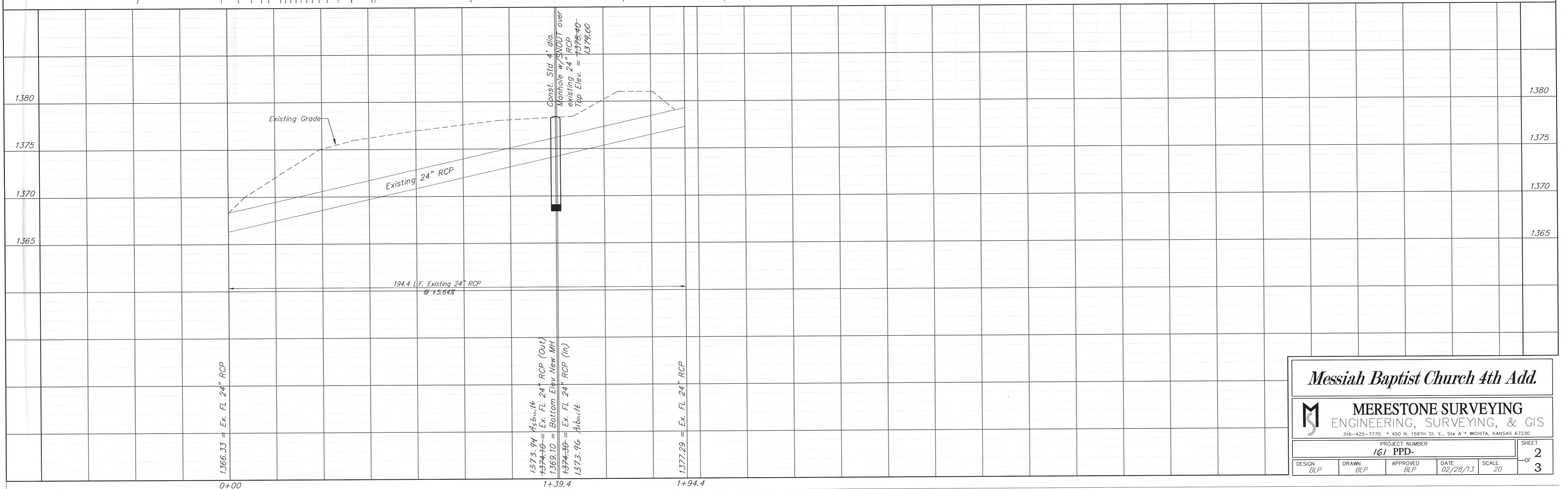


SCALE:
1" = 20' HORIZONTAL
1" = 5' VERTICAL



DESIGNED TO FIT
48"-60" DIAM.
STRUCTURES
RECOMMENDED SUMP
DEPTH 2.5 TO 3X
OUTLET PIPE I.D.

BMP, INC.		
53 MT. ARCHER ROAD, LYME, CT. 06371 (800) 504-8008 FAX: (860) 434-3195		
DESCRIPTION	DATE	SCALE
24R SNOUT OIL & DEBRIS STOP	09/13/99	NONE
	DRAWING NUMBER	
	24R	



Messiah Baptist Church 4th Add.

MERESTONE SURVEYING
ENGINEERING, SURVEYING, & GIS
316-425-7770 • 450 N. 159TH ST. E., STE A • WICHITA, KANSAS 67230

PROJECT NUMBER: 161 PPD-
SHEET 2 OF 3

DESIGN BLP	DRAWN BLP	APPROVED BLP	DATE 02/28/13	SCALE 20
------------	-----------	--------------	---------------	----------