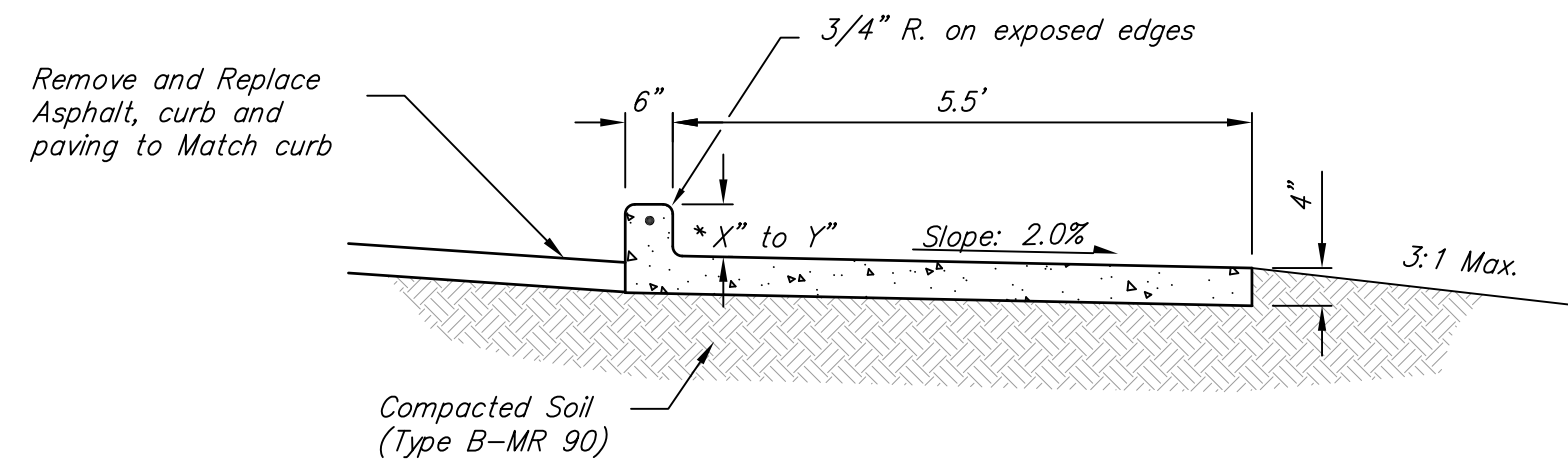


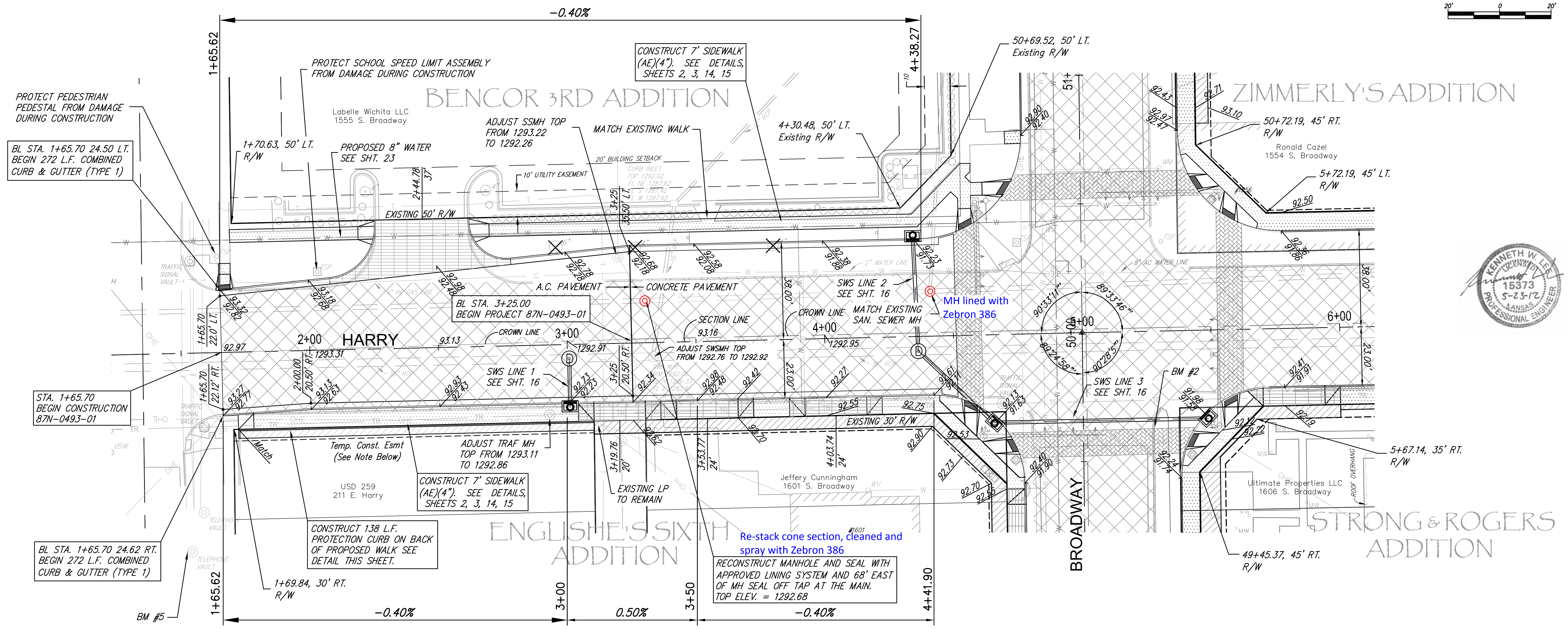
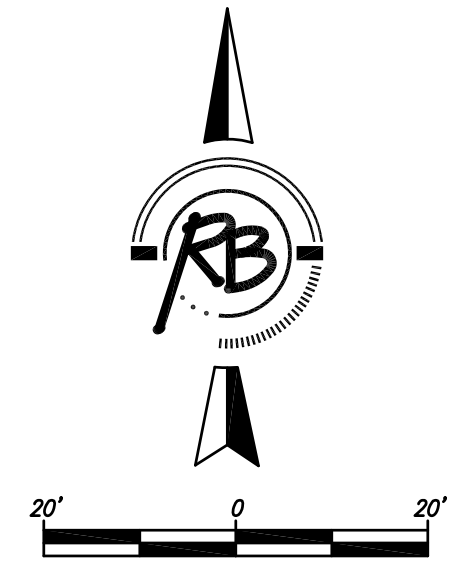
| FHWA REGION NO. | STATE | PROJECT NUMBER | FISCAL YEAR | SHEET NUMBER | TOTAL SHEETS |
|-----------------|--------|----------------|-------------|--------------|--------------|
| 7 | KANSAS | 87N-0493-01 | 2012 | 7 | 59 |

HSP Proj. No. N049 (301)

Cornejo & Sons - Contractor
 J. Wagner - City of Wichita, Field Project Engineer
 T. Dvorak - City of Wichita, Inspector
 As-built
 Release Date: 4/30/2013
 APRosas 6/20/2014

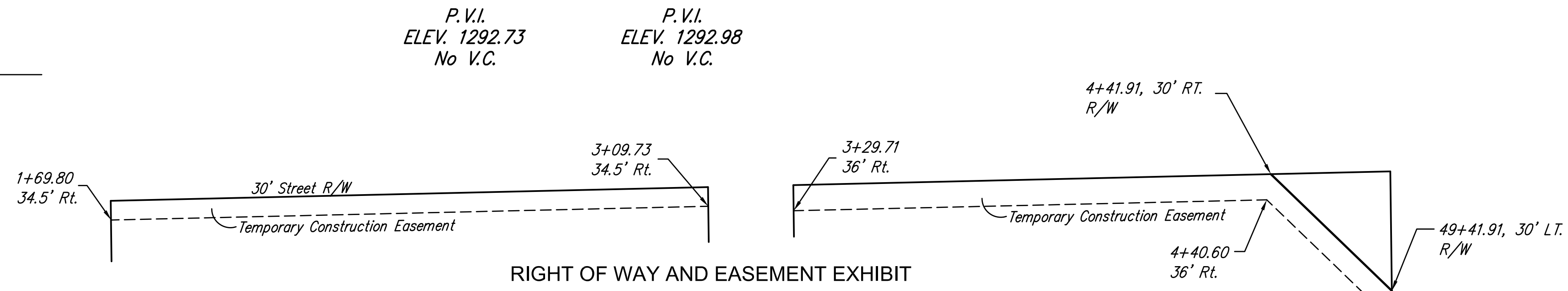


WALK WITH PROTECTION CURB
 STA 1+71.65 to STA 3+09.72 (Right Side)



LEGEND

| | |
|--|--|
| | Pavement to be removed |
| | Concrete Driveway |
| | Concrete Sidewalk Construction 4" |
| | Brick Paver Surfacing |
| | 5" Unreinf. Concrete |
| | 6" Reinf. Rock Base |
| | Pavement to be removed and Replaced 6" A.C. Pavement |



HARRY AND BROADWAY IMPROVEMENTS
HARRY
 WICHITA, KANSAS

Ruggles & Bohm, P.A.
 Engineering, Surveying, Land Planning

924 North Main
 Wichita, Kansas 67203
 www.rbkansas.com

(316) 264-8008
 (316) 264-4621 fax
 E-mail: info@rbkansas.com

DESIGN: KWL
 DRAWN: [blank]
 REVIEW: [blank]
 UTILITY: [blank]
 DATE: May 23, 2012

PROJECT NUMBER: [blank]
 SHEET: 7 OF 59
 DRAWING FILE: ENG BASE (HARRY 1)