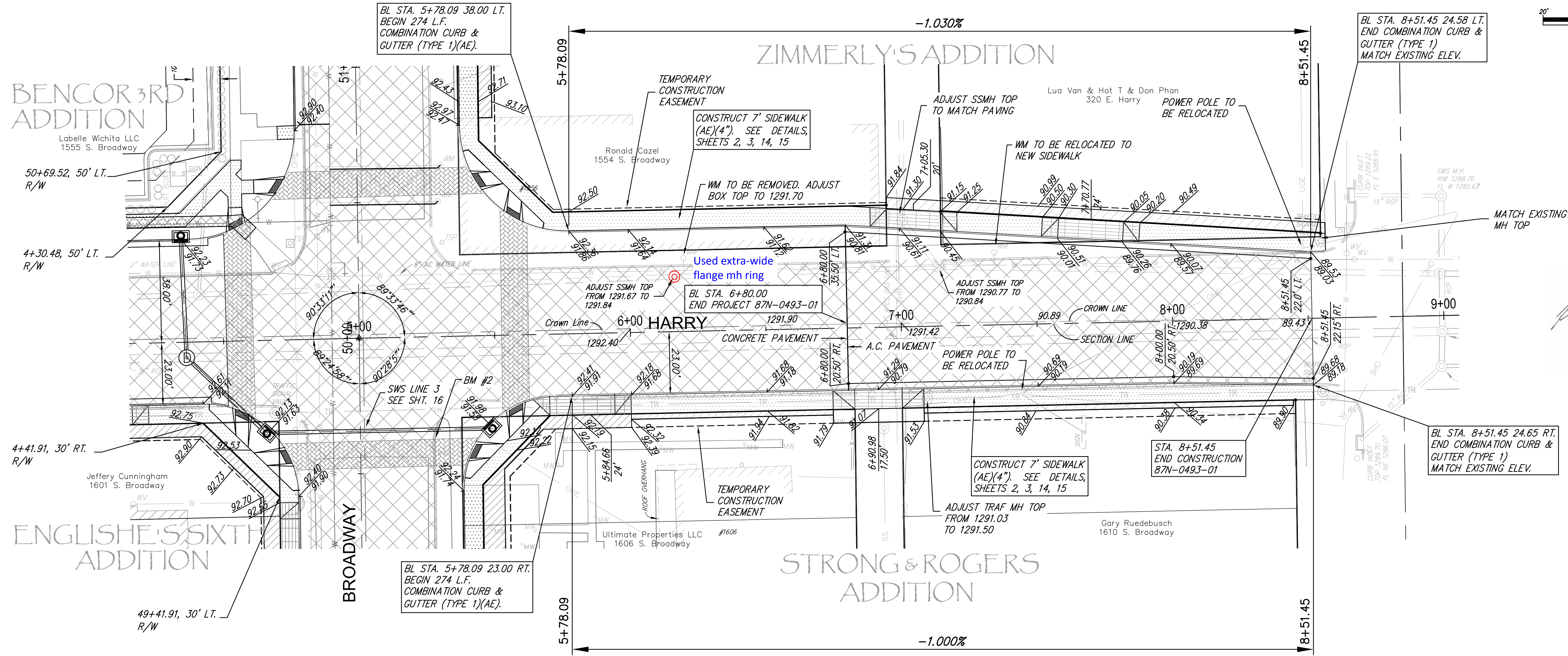
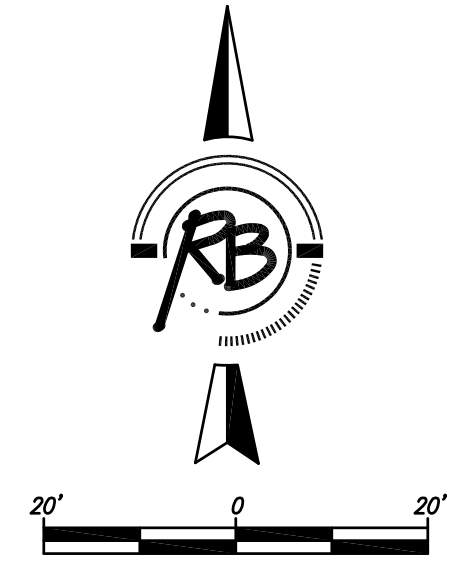
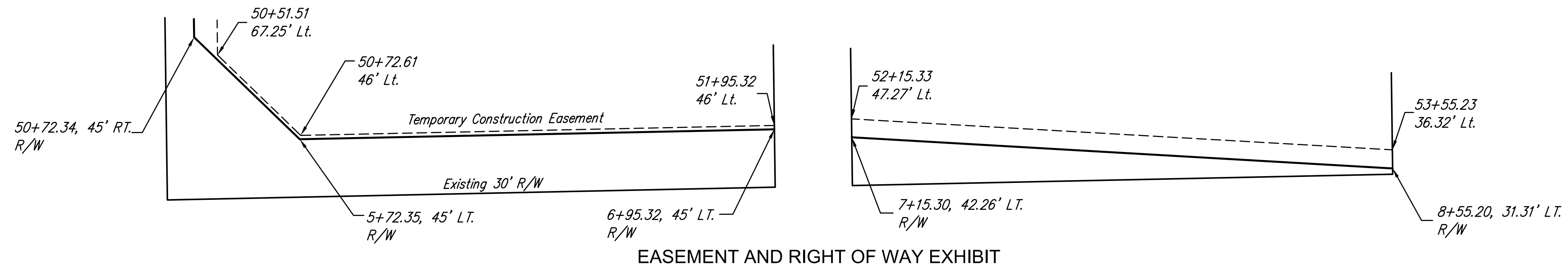


FHWA REGION NO.	STATE	PROJECT NUMBER	FISCAL YEAR	SHEET NUMBER	TOTAL SHEETS
7	KANSAS	87N-0493-01	2012	8	59

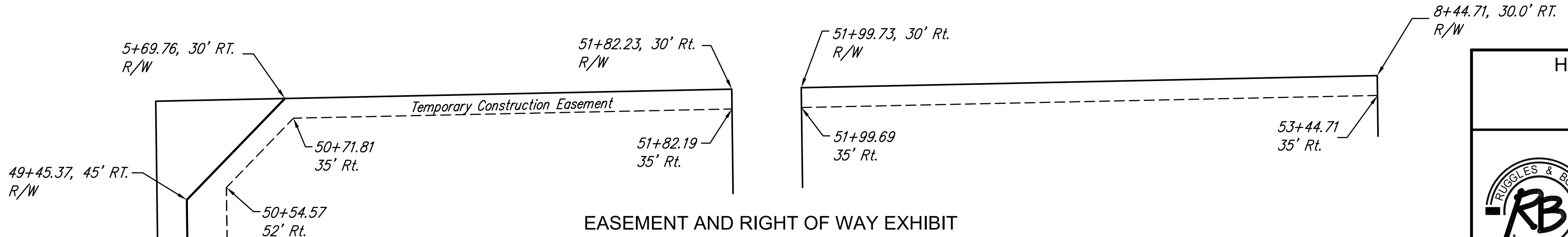
HSPJ Proj. No. N049 (301)

Cornejo & Sons - Contractor
 J. Wagner - City of Wichita, Field Project Engineer
 T. Dvorak - City of Wichita, Inspector
 As-built
 Release Date: 4/30/2013
 APROSAS 6/20/2014



LEGEND

	Pavement to be removed
	Concrete Driveway
	Concrete Sidewalk Construction 4"
	Brick Paver Surfacing
	5" Unreinforced Concrete
	6" Reinforced Rock Base
	Pavement to be removed and Replaced 6" A.C. Pavement



HARRY AND BROADWAY IMPROVEMENTS
HARRY
 WICHITA, KANSAS

Ruggles & Bohm, P.A.
 Engineering, Surveying, Land Planning

924 North Main Wichita, Kansas 67203
 (316) 264-8008 (316) 264-4621 fax
 www.rbkansas.com E-mail: info@rbkansas.com

DESIGN: KWL
 DRAWN: [blank]
 REVIEW: [blank]
 UTILITY: [blank]

DRAWING FILE: ENG BASE (HARRY 2)
 PROJECT NUMBER: [blank]
 DATE: May 23, 2012

REG. JOB: 3576T
 SHEET: 8 OF 59