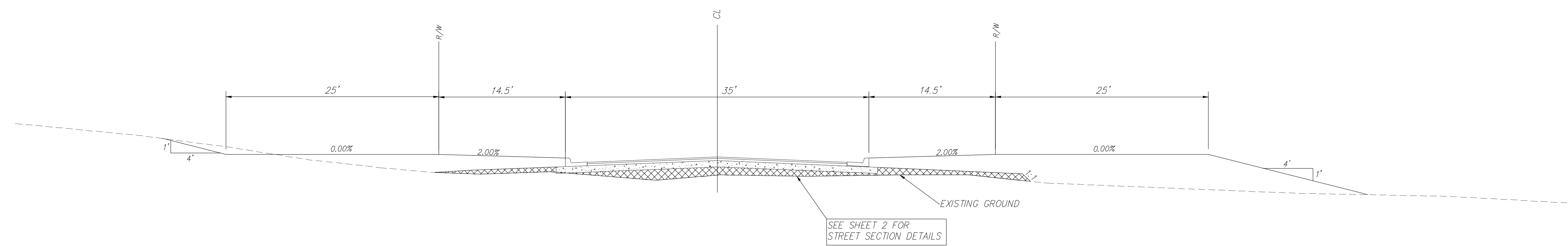
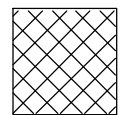



TYPICAL 29' ROW GRADING SECTION



TYPICAL 35' ROW GRADING SECTION

 Fill Compacted to 90% Standard Density

CASA BELLA PHASE 3 STREET IMPROVEMENTS STREET GRADING SECTION WICHITA, KANSAS			
SEAL	 RUGGLES & BOHM <small>ENGINEERING SURVEYING LANDSCAPE ARCHITECTURE GOVERNMENT</small> <small>924 NORTH MAIN WICHITA, KANSAS 67209 P (316) 264-8008 F (316) 264-4621 WWW.RBKANSAS.COM</small>	DATE June 3, 2014 DESIGN EJG DRAWN EJG REVIEW May 5, 2014	SHEET 4 OF 21
PROJECT NUMBER 472-B4338		RB JOB NO. 4190E	DWG. SCALE
DRAWING FILE ENGINEERING BASE [Street Section]			

(c) Copyright 2013, Ruggles & Bohm, P.A.