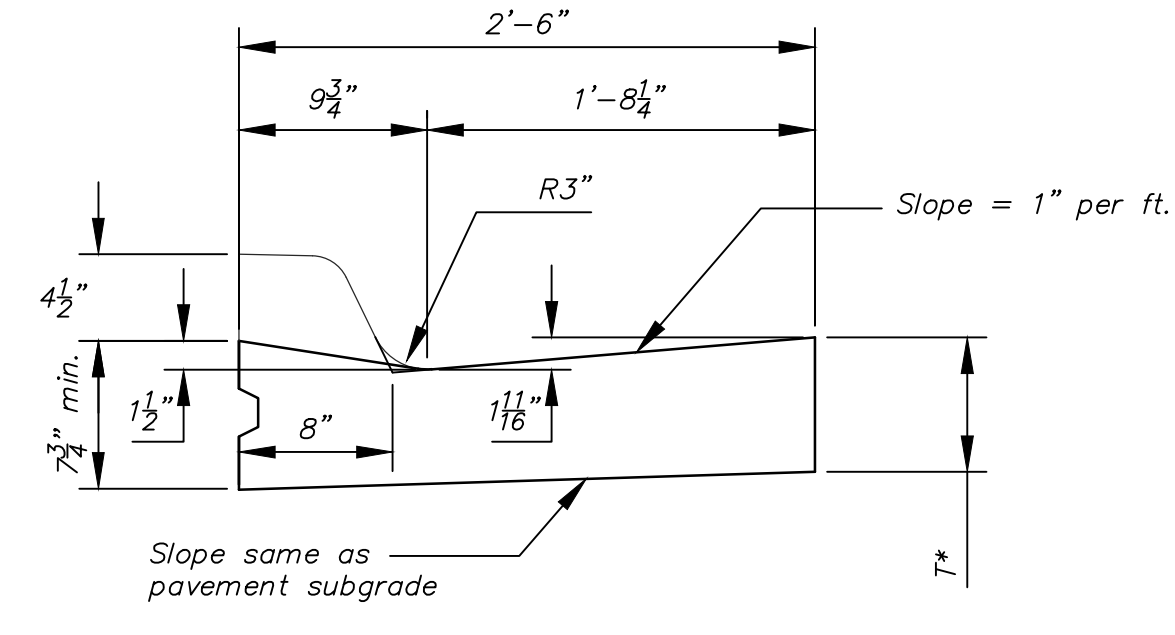
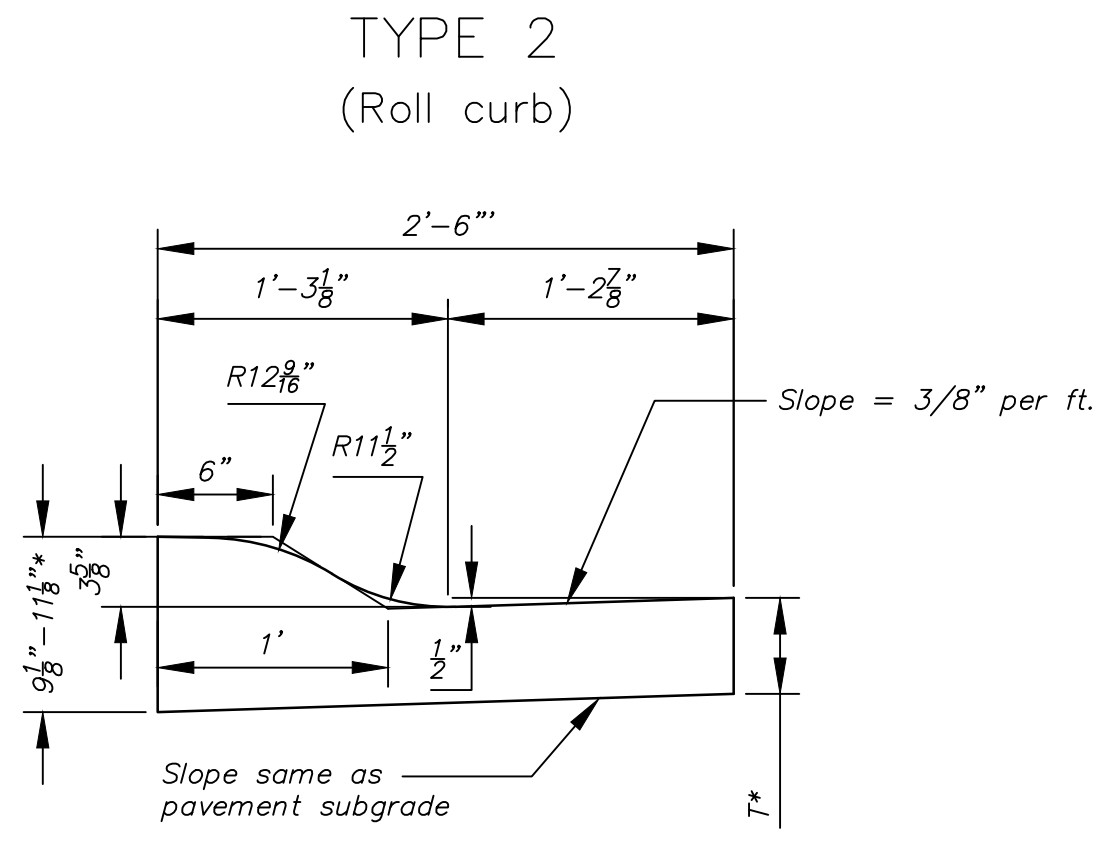


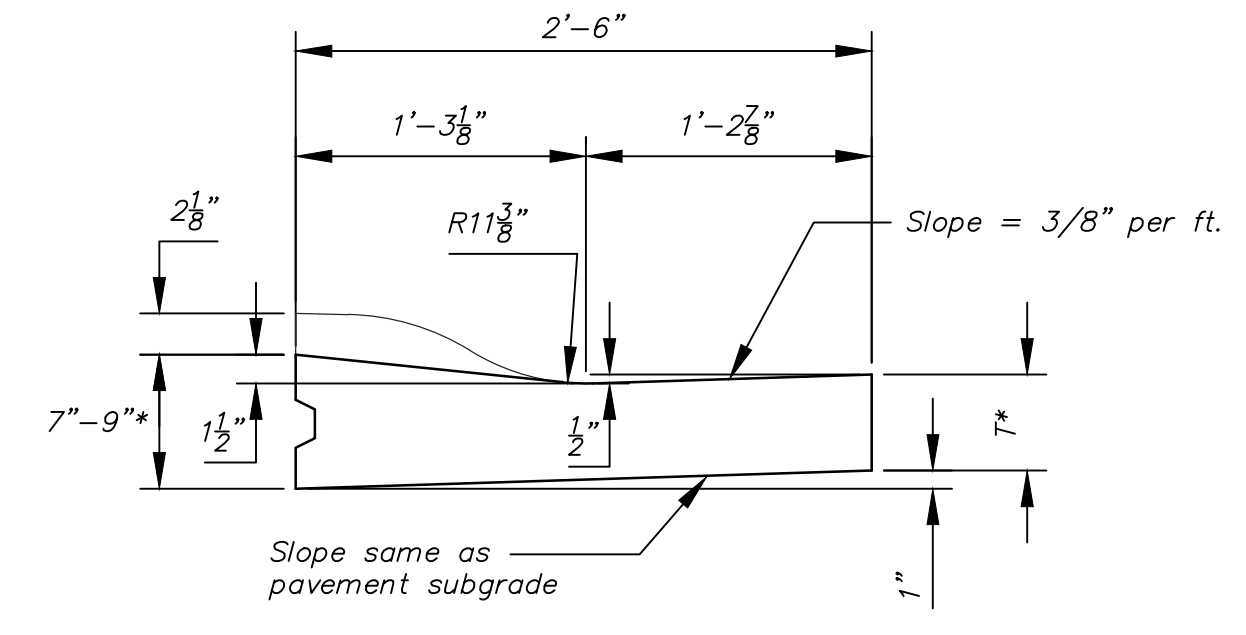
Combined Curb & Gutter (6")



Combined Curb & Gutter (1 1/2")



Combined Curb & Gutter (3 5/8")

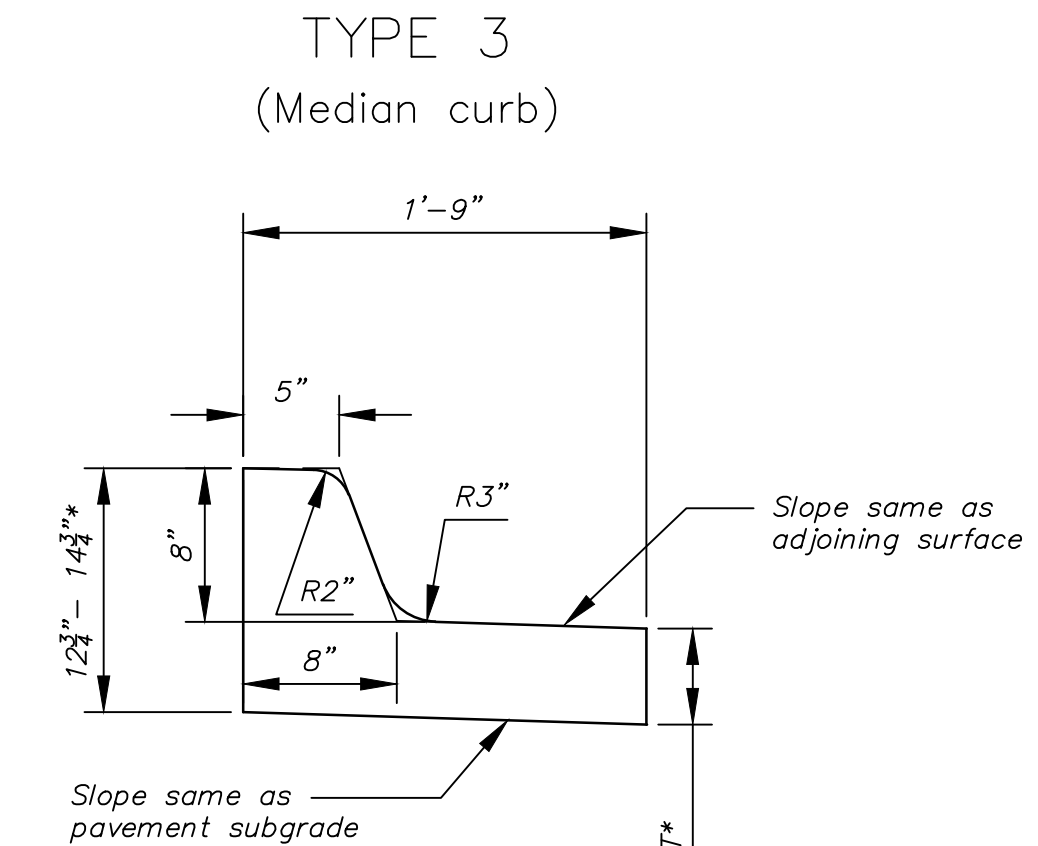


Combined Curb & Gutter (1 1/2")

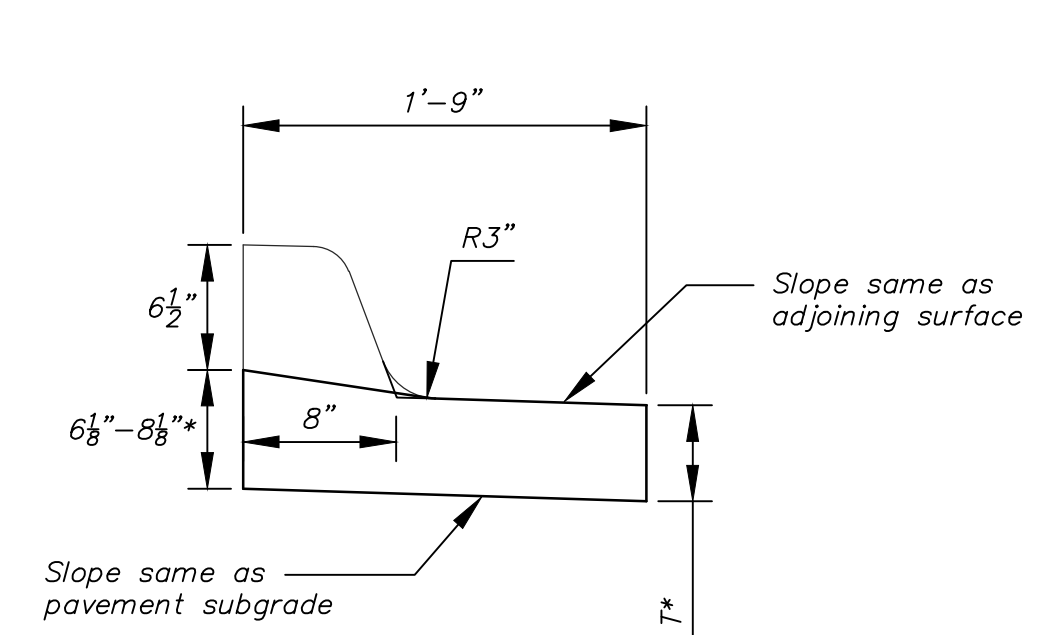
T* = Thickness of curb to adjust with pavement thickness

GENERAL NOTES

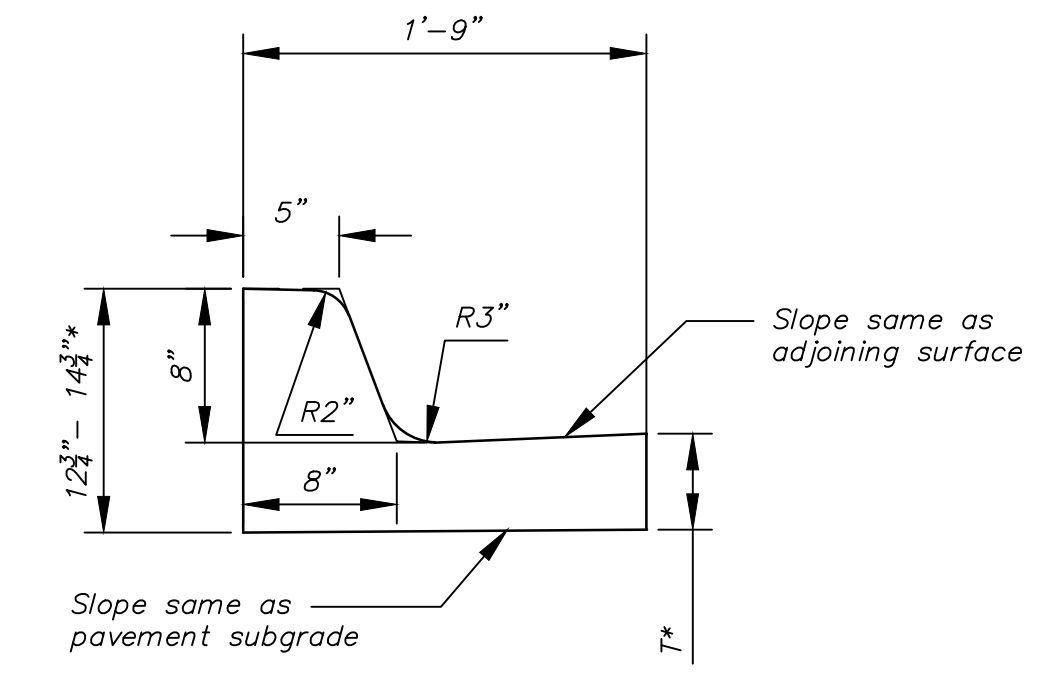
- Expansion (isolation) joints shall be constructed a maximum of 300' apart and at all PIs, PCs, cul-de-sac quadrants, and ends of returns.
- Contraction joints shall be constructed a minimum of 12' apart.
- Joint sealer shall be required at all joints on arterial and industrial streets and at intersections on residential streets.



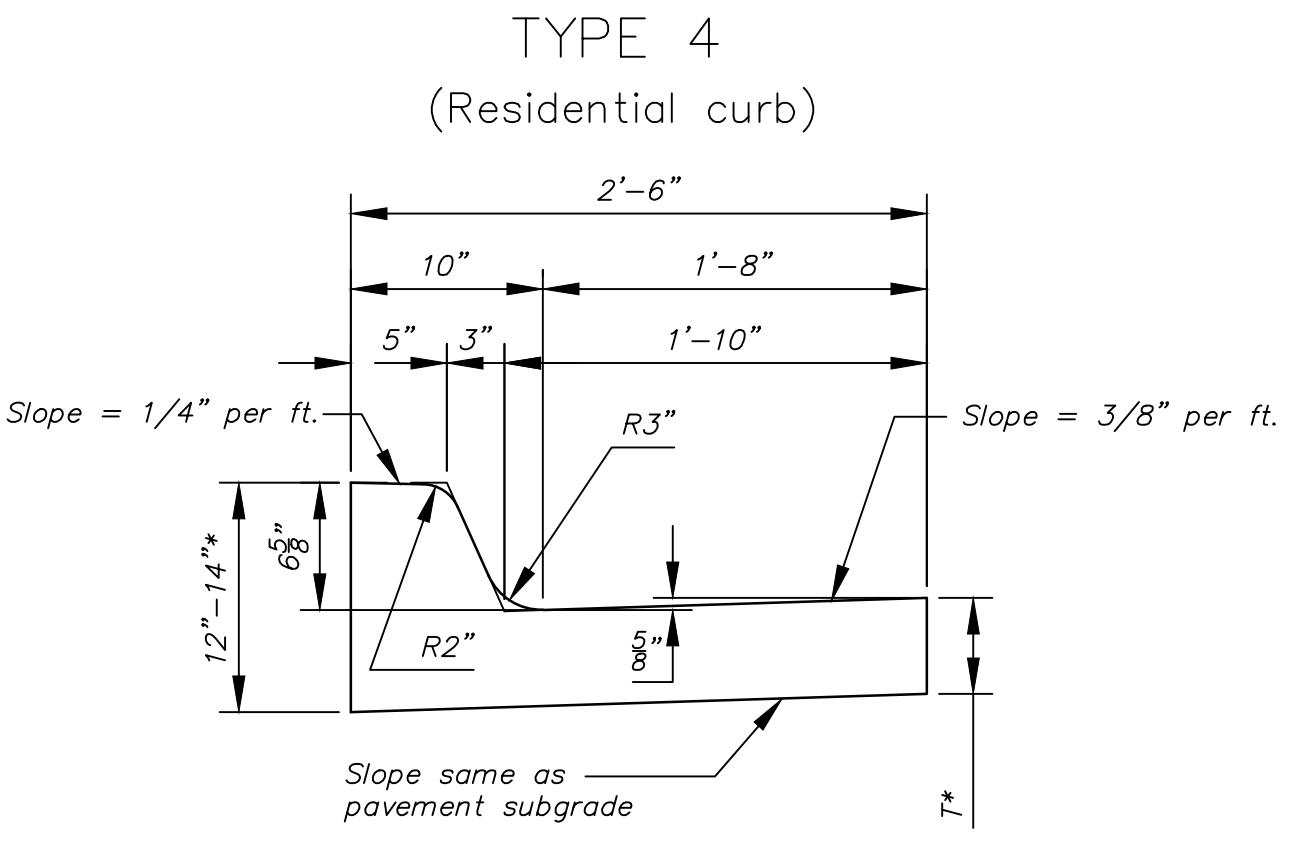
Combined Curb & Gutter (8")



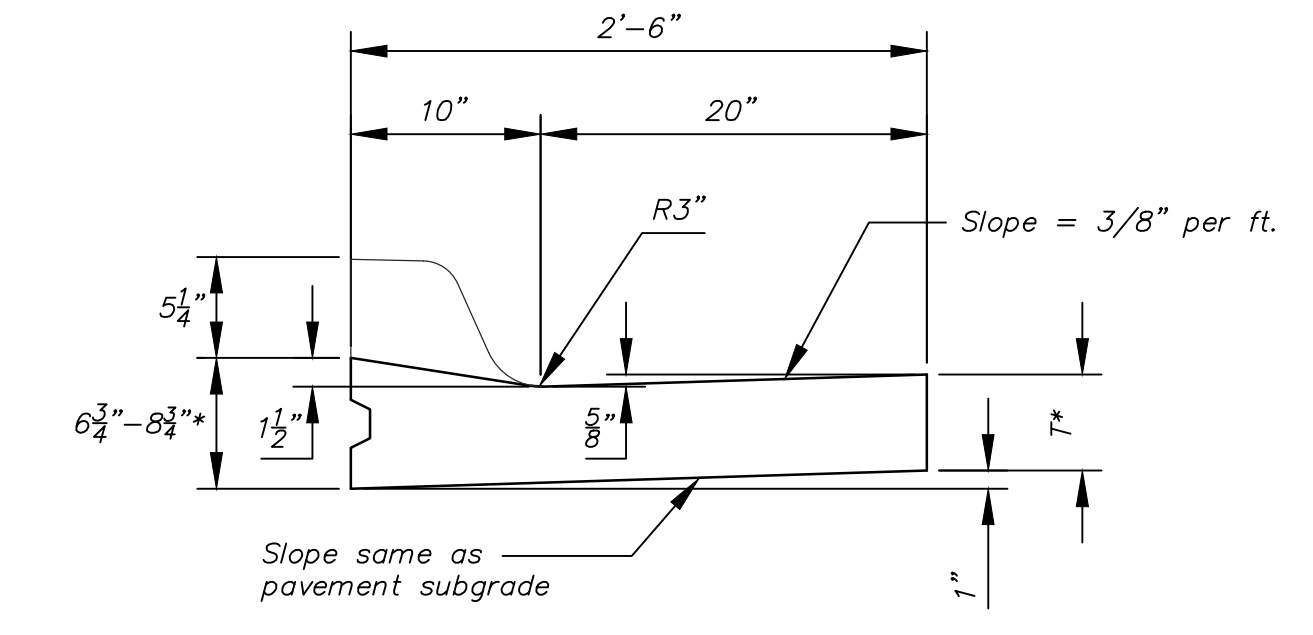
Combined Curb & Gutter (1 1/2")



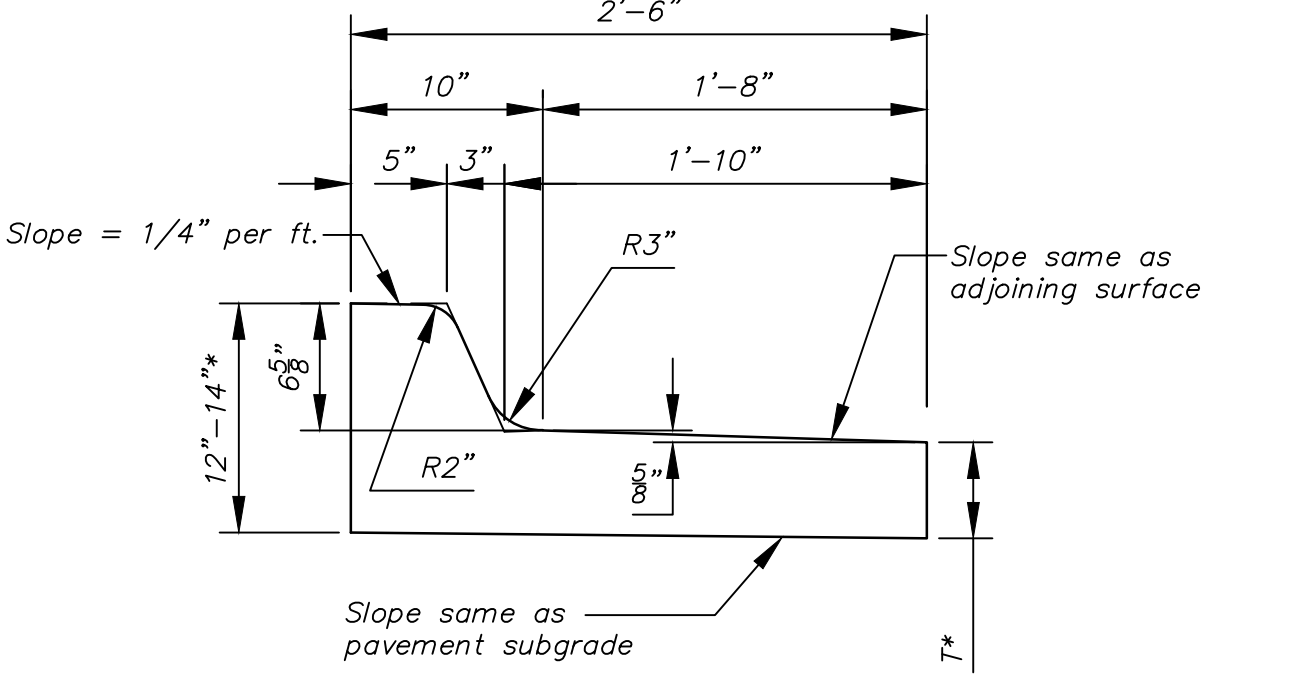
Combined Curb & Gutter (8") High Edge



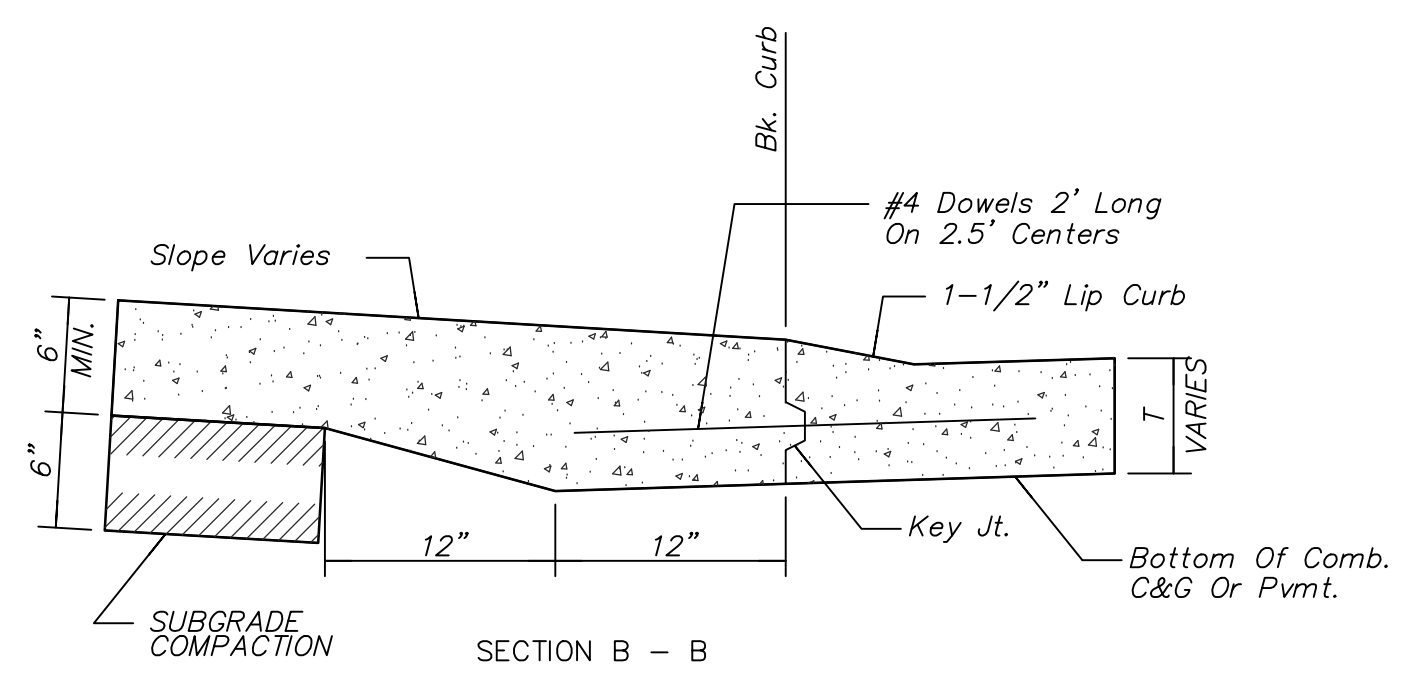
Combined Curb & Gutter (6 5/8")



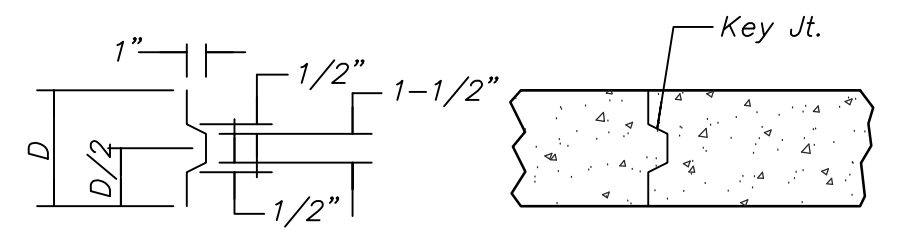
Combined Curb & Gutter (1 1/2")



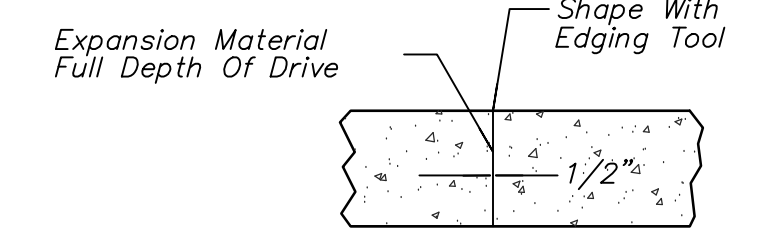
Combined Curb & Gutter (6 5/8") Low Edge



SECTION B - B
BACK OF CURB DETAIL



ALT. LONGITUDINAL CONSTRUCTION JOINT



EXPANSION JOINT (E.J.)

<p>CITY OF WICHITA PUBLIC WORKS & UTILITIES ENGINEERING DIVISION</p>	<p>CURB & GUTTER DETAILS</p> <p>CITY ENGINEER GARY JANZEN, P.E.</p>			
	PROJECT NUMBER 472-85045	OCA NUMBER	DATE 12/2010	
	CITY ENGINEER'S OFFICE CITY HALL - SEVENTH FLOOR 455 NORTH MAIN STREET WICHITA, KANSAS 67202-1620 (316) 268-4501		Staff	Staff
			SHEET	3 of 18