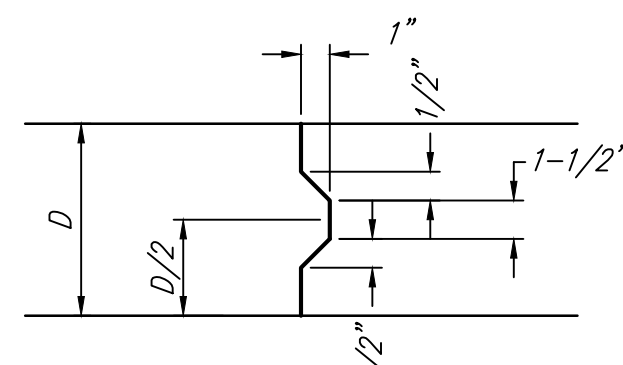
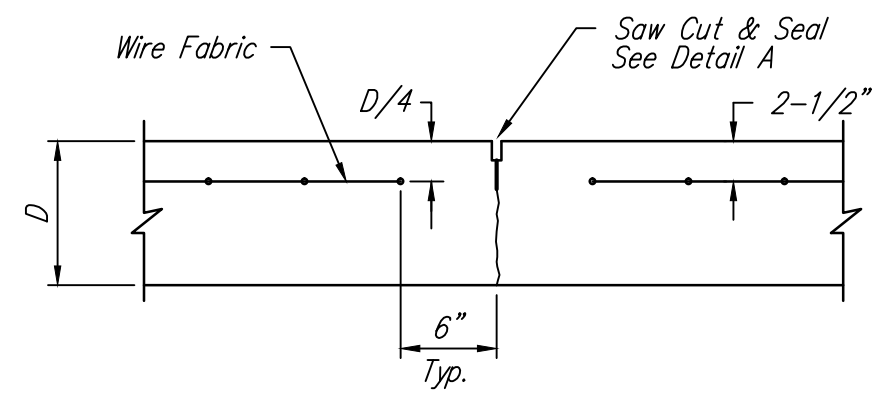


**EXPANSION JOINT**

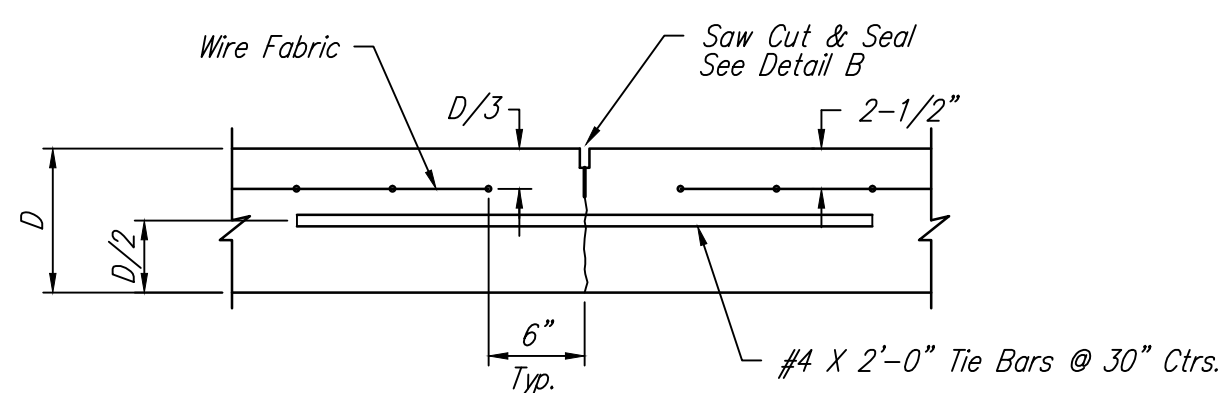
NOTE: Extra Thickness to be Subsidiary to Price of Square Yards Pavement



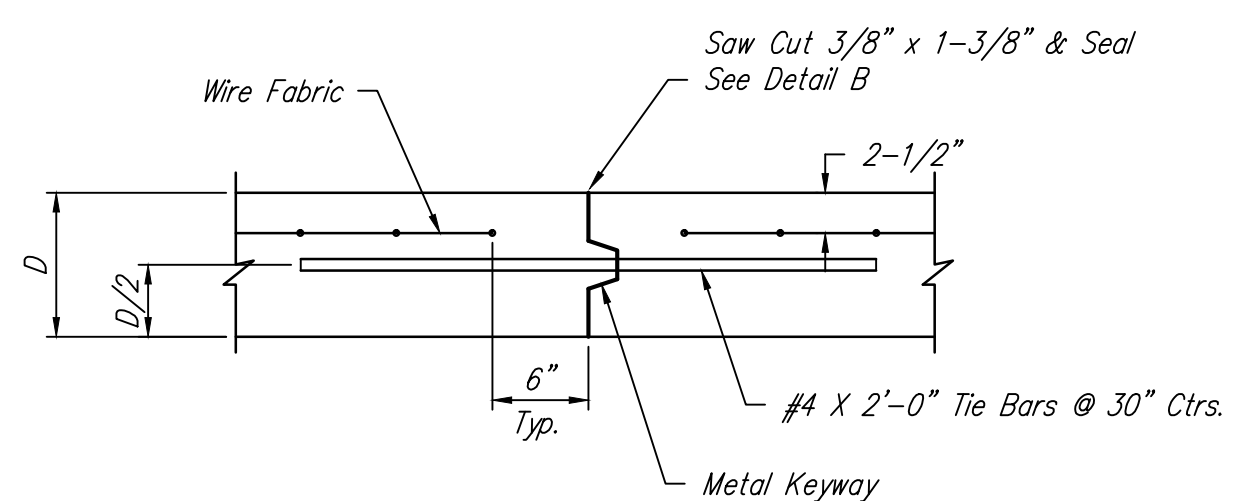
**KEYWAY DETAIL**



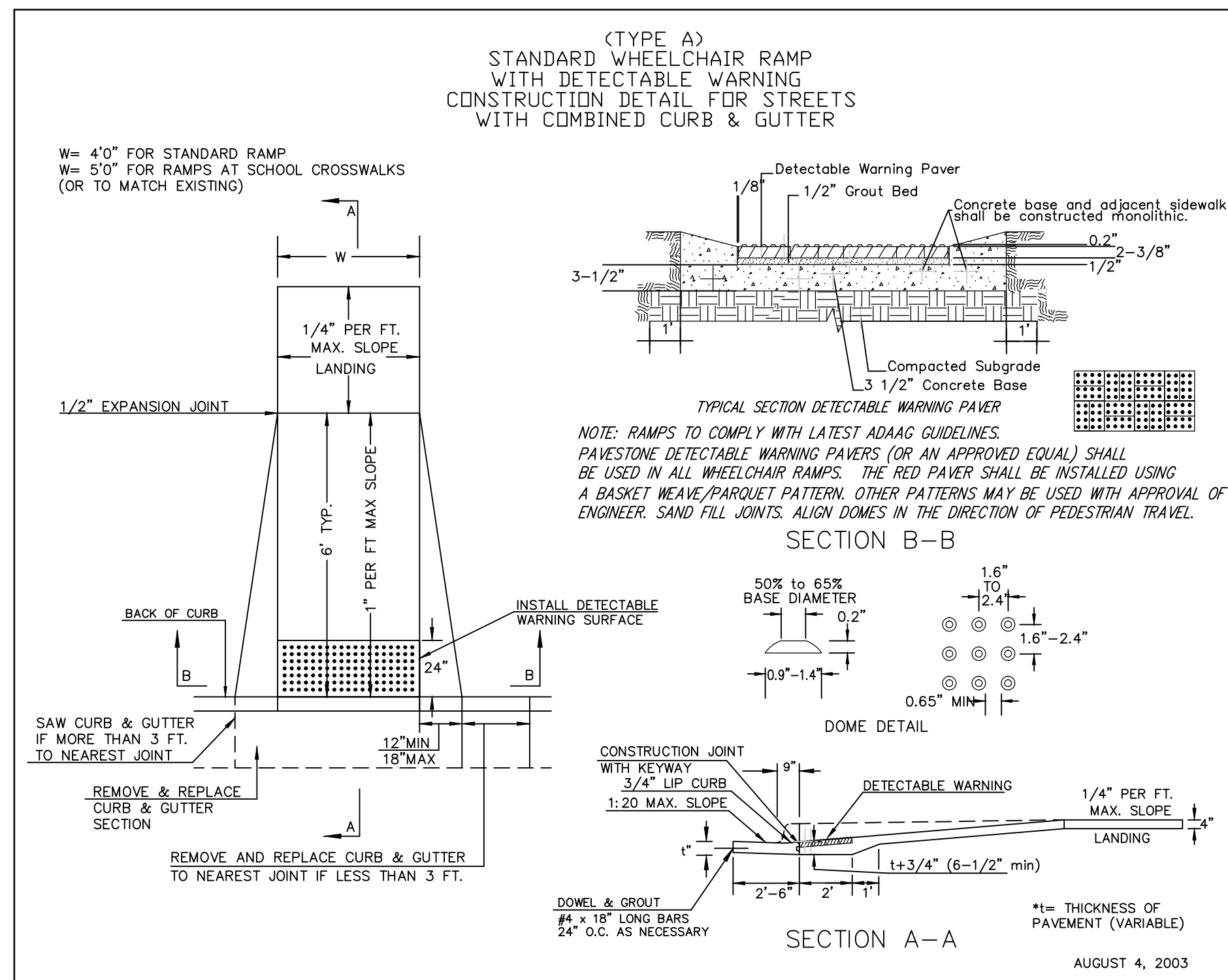
**CONTRACTION JOINT DETAIL (C.J.)**



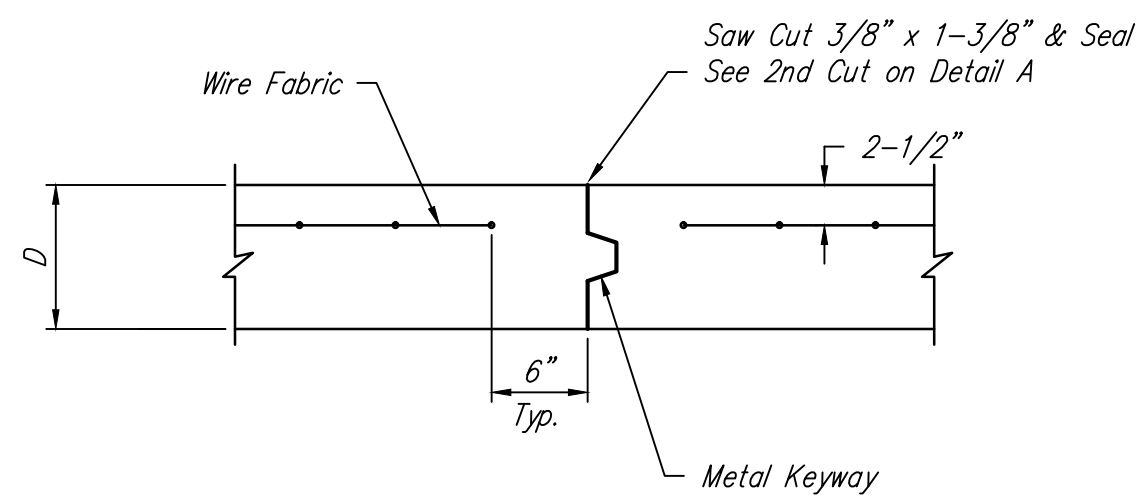
**LONGITUDINAL JOINT DETAIL (L.J.)**



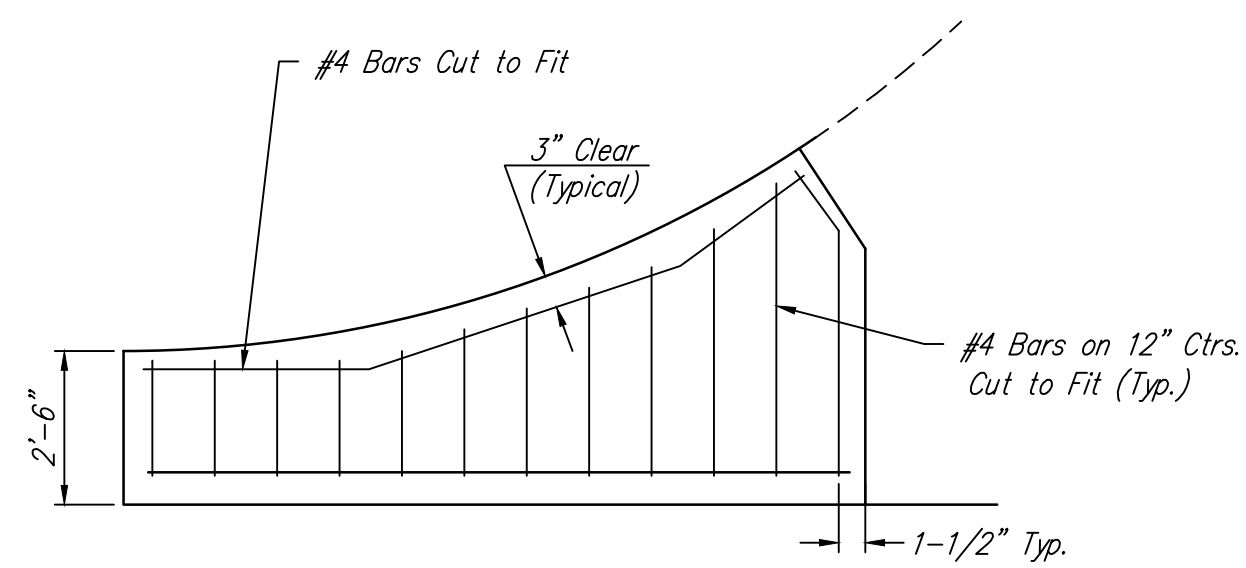
**OPTIONAL LONGITUDINAL JOINT DETAIL (L.J.) (CONSTRUCTION JOINT)**



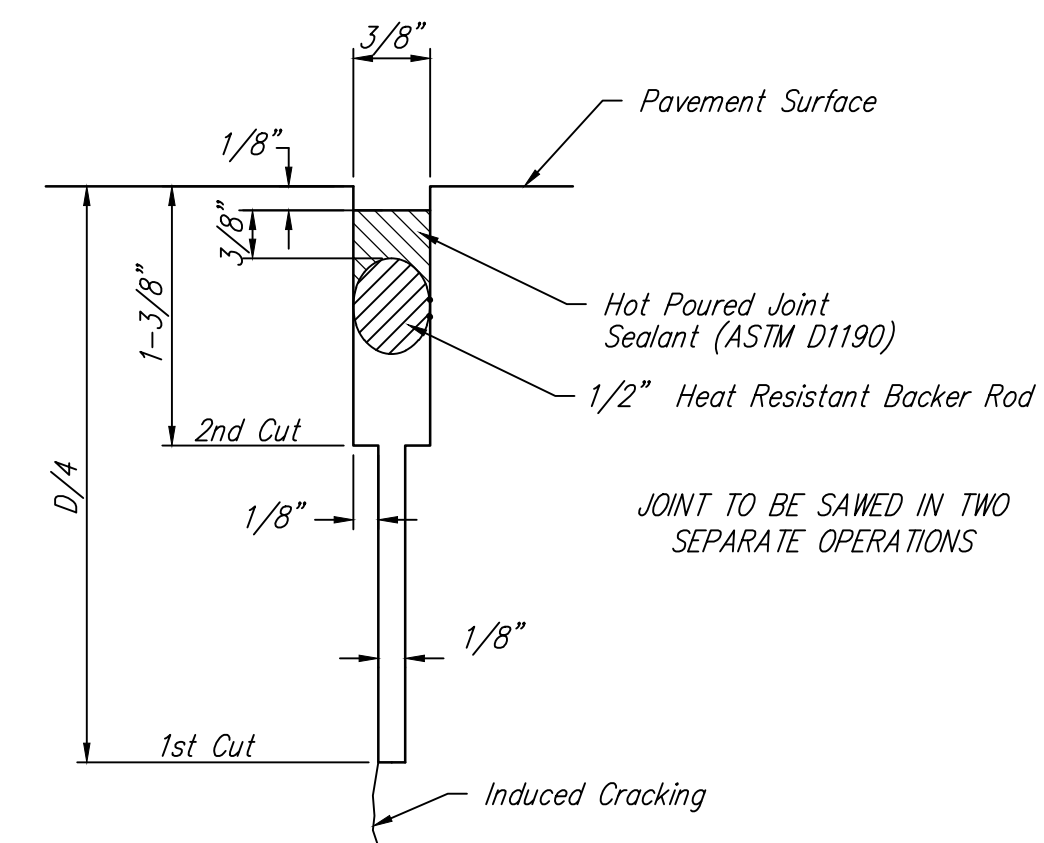
**WHEELCHAIR RAMP DETAIL**



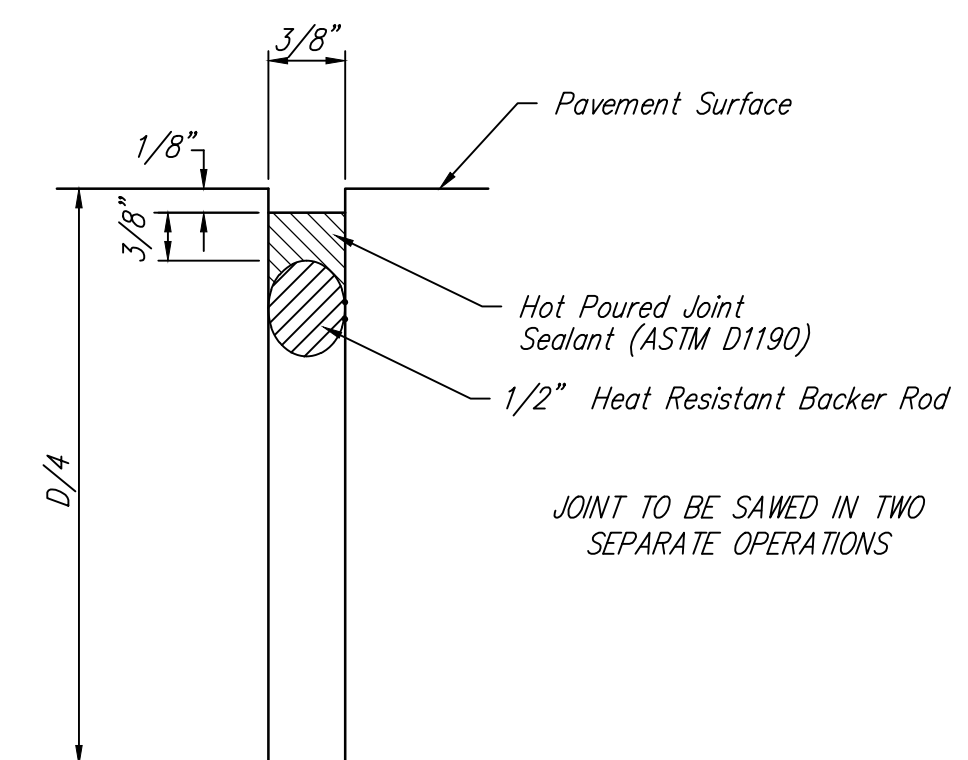
**OPTIONAL CONTRACTION JOINT (CONSTRUCTION JOINT)**



**WING REINFORCING DETAIL**



**SAW JOINT DETAIL "A"**



**SAW JOINT DETAIL "B"**

		<b>MISCELLANEOUS DETAILS</b>	
PROJECT NUMBER 472-85045		DESIGN STAFF	DRAWN STAFF
REVISIONS:		APPROVED	DATE 03/08
		SCALE NONE	SHEET 5 OF 18
<small>SouthernRidge-t4h/Phase2B/MiscDetail</small>			