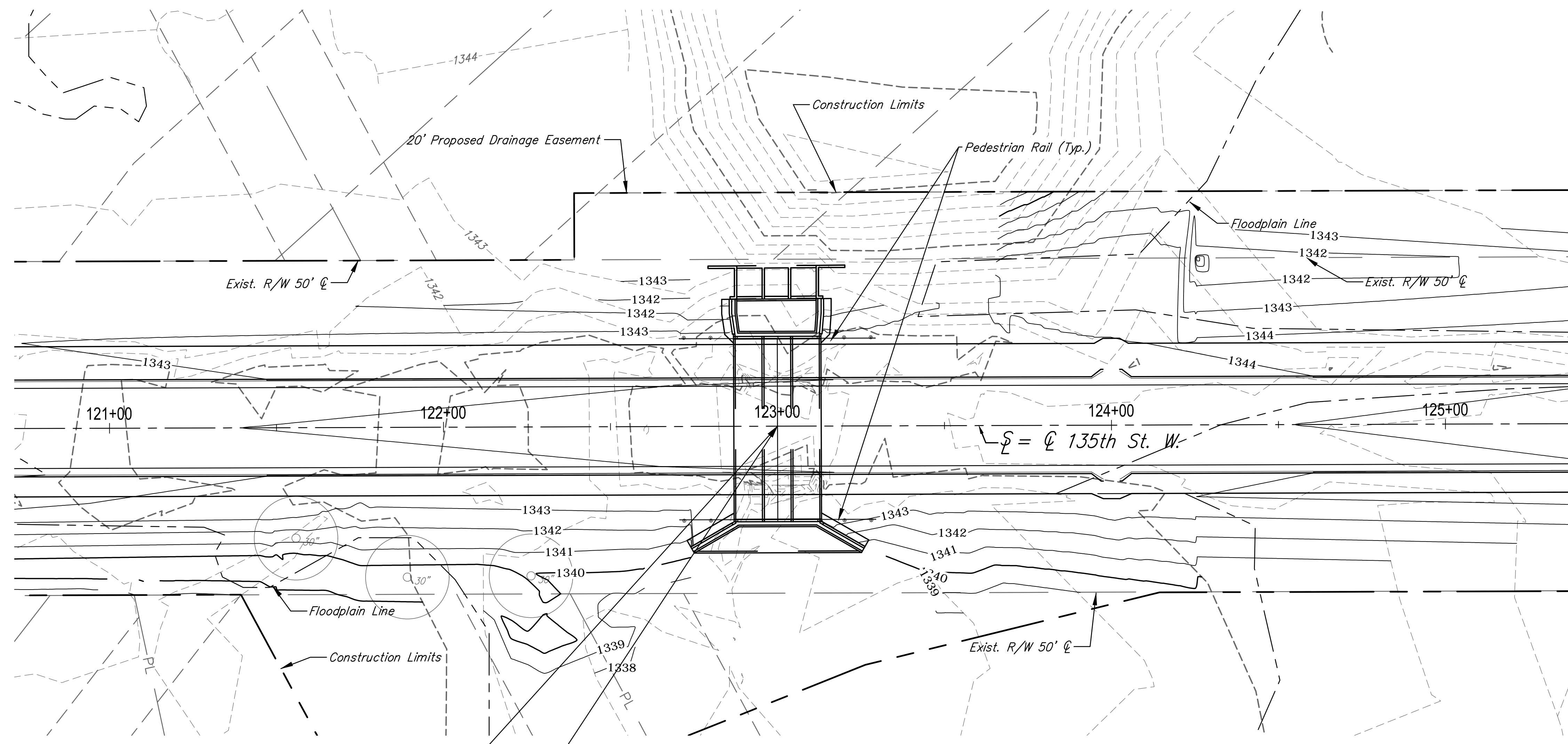


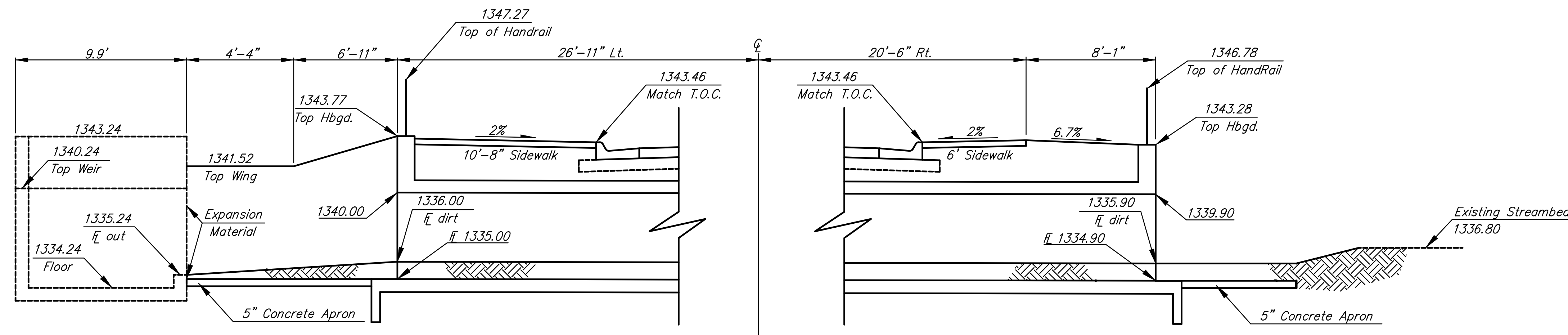
NOTES:

- 3-8'x5'x54.5' RCB shall be constructed at the elevations shown in these plans, such that the flowline will be below the existing ground surface and the RCB allowed to silt in.



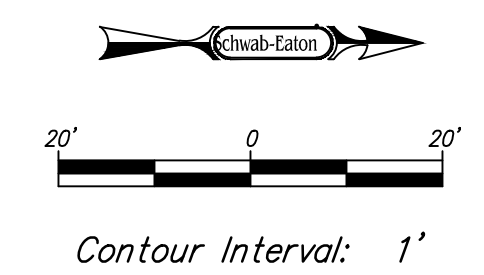
Sta. 123+00 Construct 3-8'x5'x54.5' RCB with Apron Lt. & Rt. and Pedestrian Rail Lt. & Rt. See Sh. No. 29-33.

Sta. 123+00 Remove 5-36"x30" CMPs



RCB ELEVATION
Not to scale

BM #6 - Square Cut SW Cor SBC Telephone Pedestal Slab on N. Side Douglas CL 135th St. Sta. 115+20.58, 62.30' Rt. Elev. = 1343.85



CITY OF WICHITA			
CONTOUR MAP			
Schwab Eaton		8615 W. Frazier Lane, Suite 2 Wichita, KS 67212 Phone: 316-722-4472	
DESIGNED	ABS	DRAWN	AL
CHECKED	ABS/CDM	DATE	07/13
SCALE			SHEET NO.
1"=20'			28