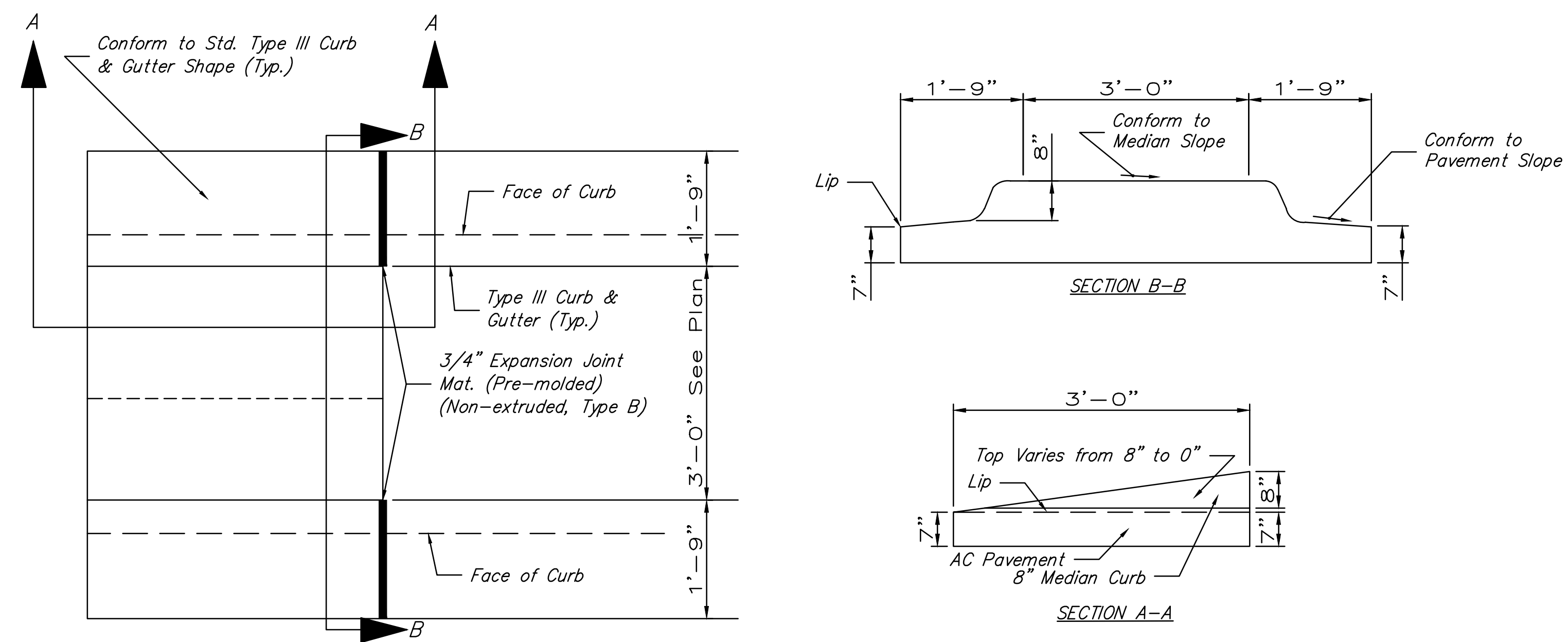
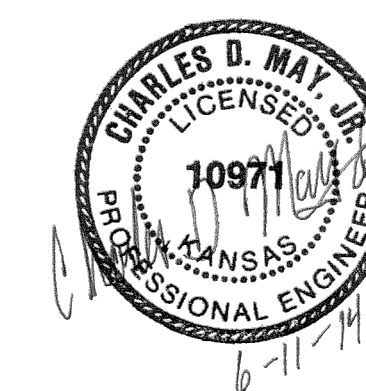


**TYPICAL SECTION - SIDE STREETS**

\*See Side Road Plan Sheets  
 \*\*Median Where Shown on Plans



CONCRETE RAMP NOSE SECTIONS (MEDIAN)



CITY OF WICHITA				
TYPICAL SECTIONS				
<b>Schwab Eaton</b>		8615 W. Frazier Lane, Suite 2 Wichita, KS 67212 Phone: 316-722-4472		
DESIGNED	ABS	DRAWN	AL/ES	SCALE
CHECKED	ABS/CDM	DATE	06/14	No Scale
SHEET NO.				4