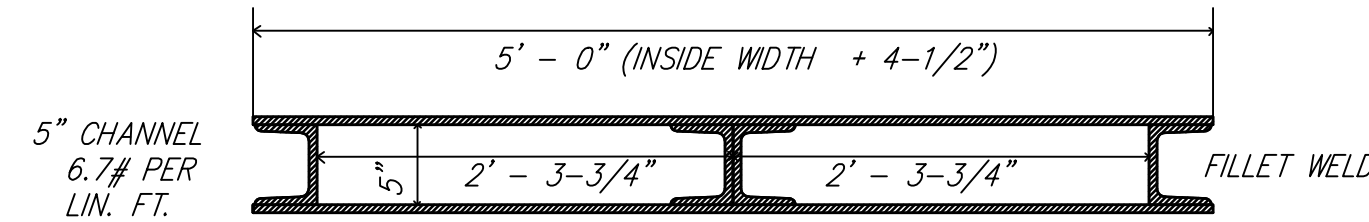


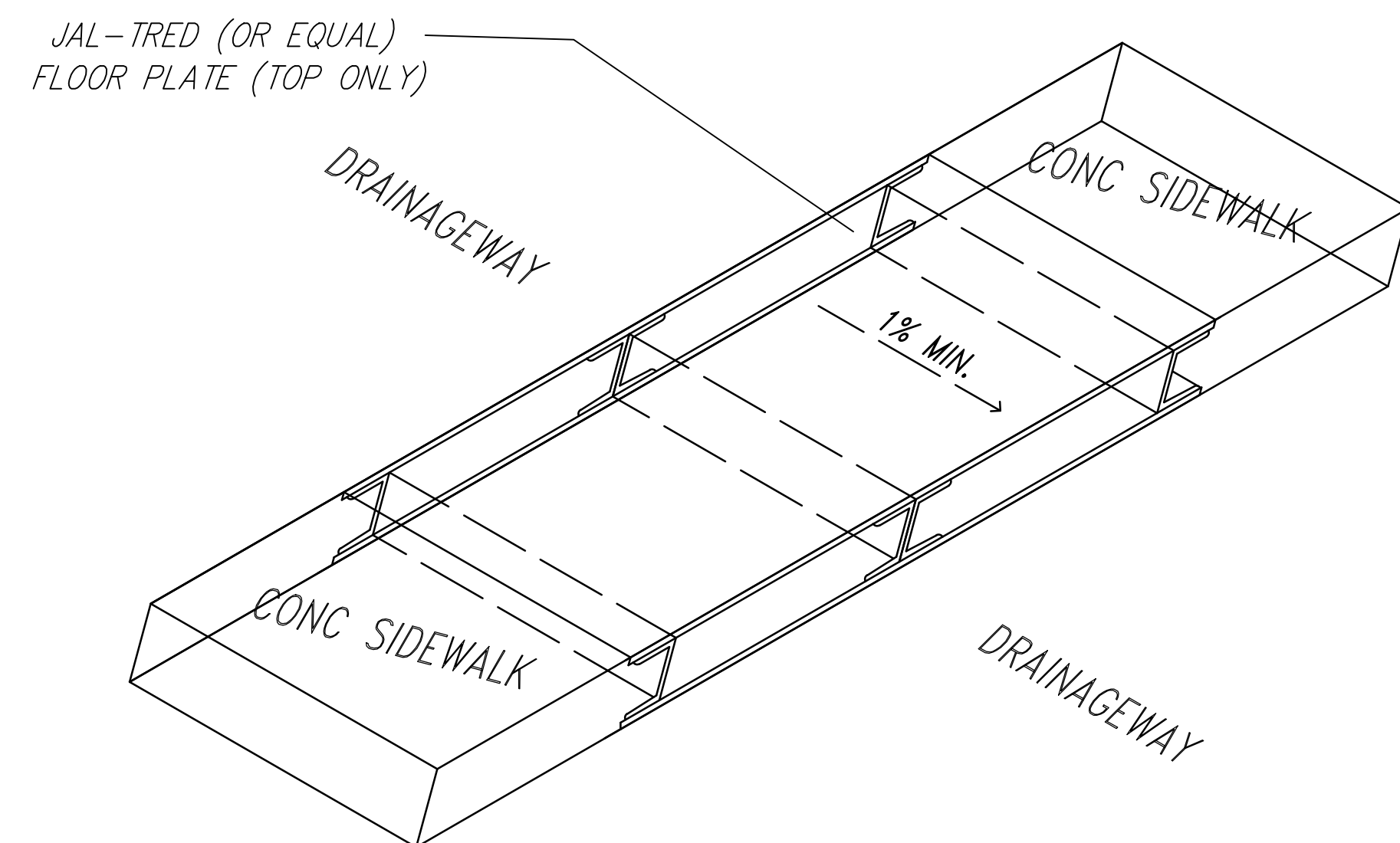
TOP VIEW



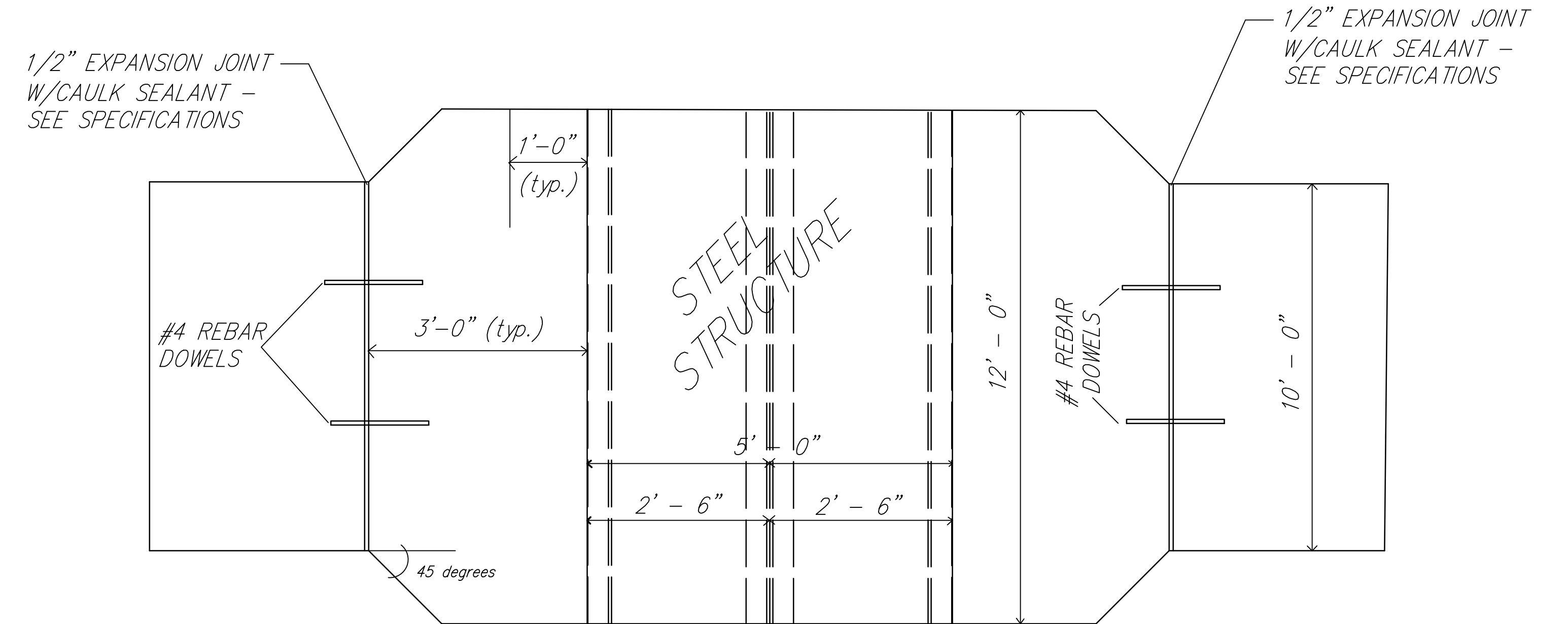
END VIEW



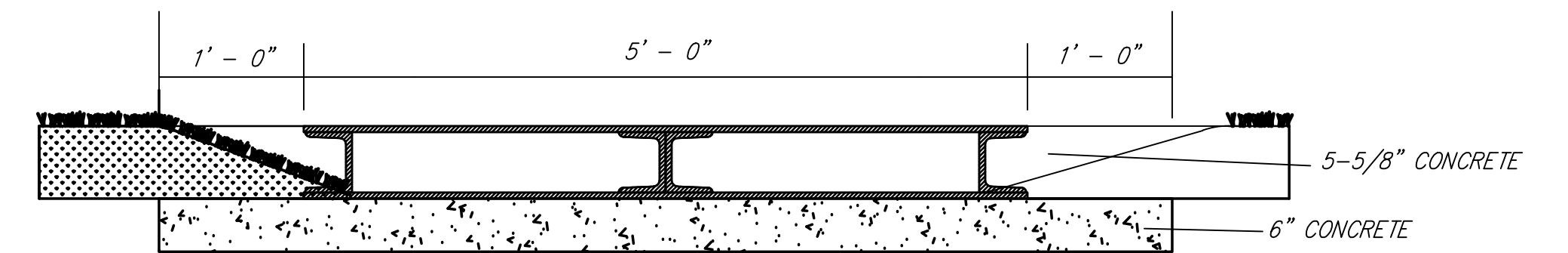
SIDE VIEW




PREFABRICATED SIDEWALK DRAIN
(No Scale)



PLAN (No Scale)



SECTION @ WALK DRAIN
(No Scale)

 <p>CITY OF WICHITA PARK & RECREATION DEPARTMENT</p>	<p>SIDEWALK AND DRAINAGE DETAIL</p>		
	<p>LANDSCAPE ARCHITECT LARRY D. HOETMER, ASLA</p>		
	<p>PROJECT NUMBER 472-84308</p>	<p>OCA NUMBER 706938</p>	<p>DATE 09-08</p>
	<p>PARK & RECREATION DEPT CITY HALL - ELEVENTH FLOOR 455 NORTH MAIN STREET WICHITA, KANSAS 67202-1620 (316) 268-4222</p>		<p>DESIGN HOETMER DRAWN LONG SHEET 59B of 115</p>