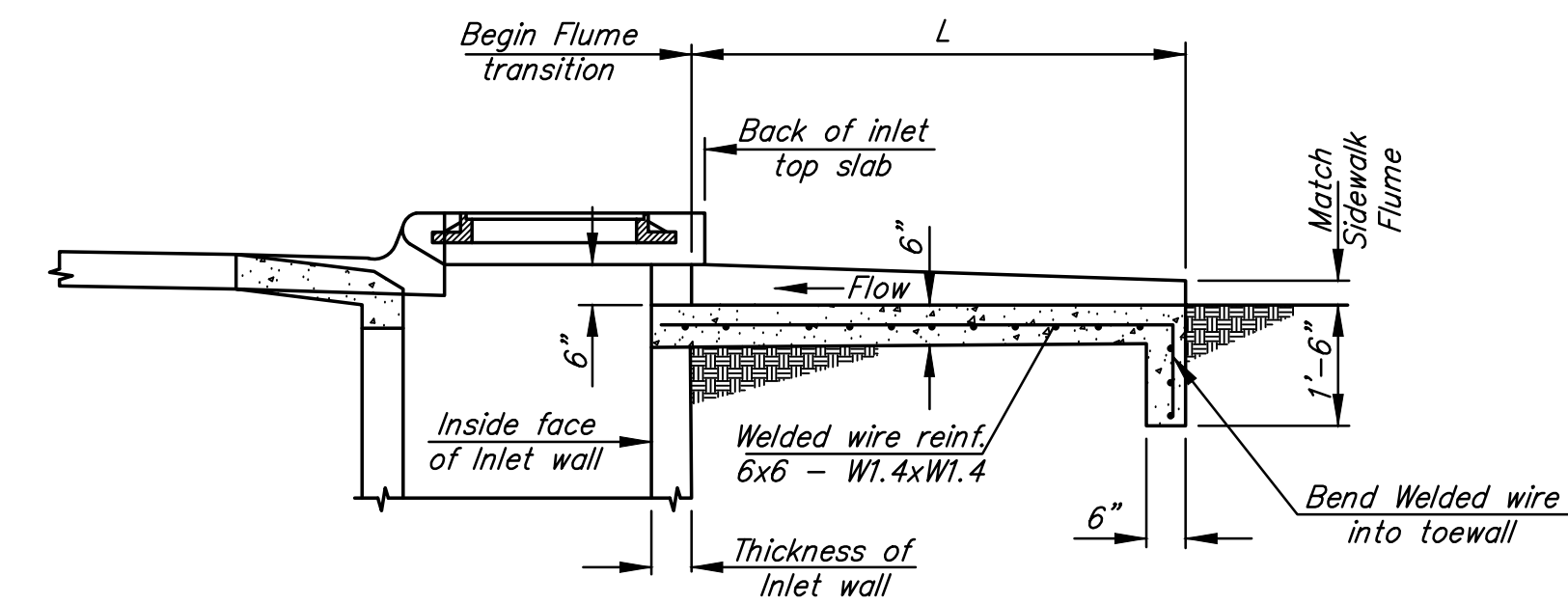
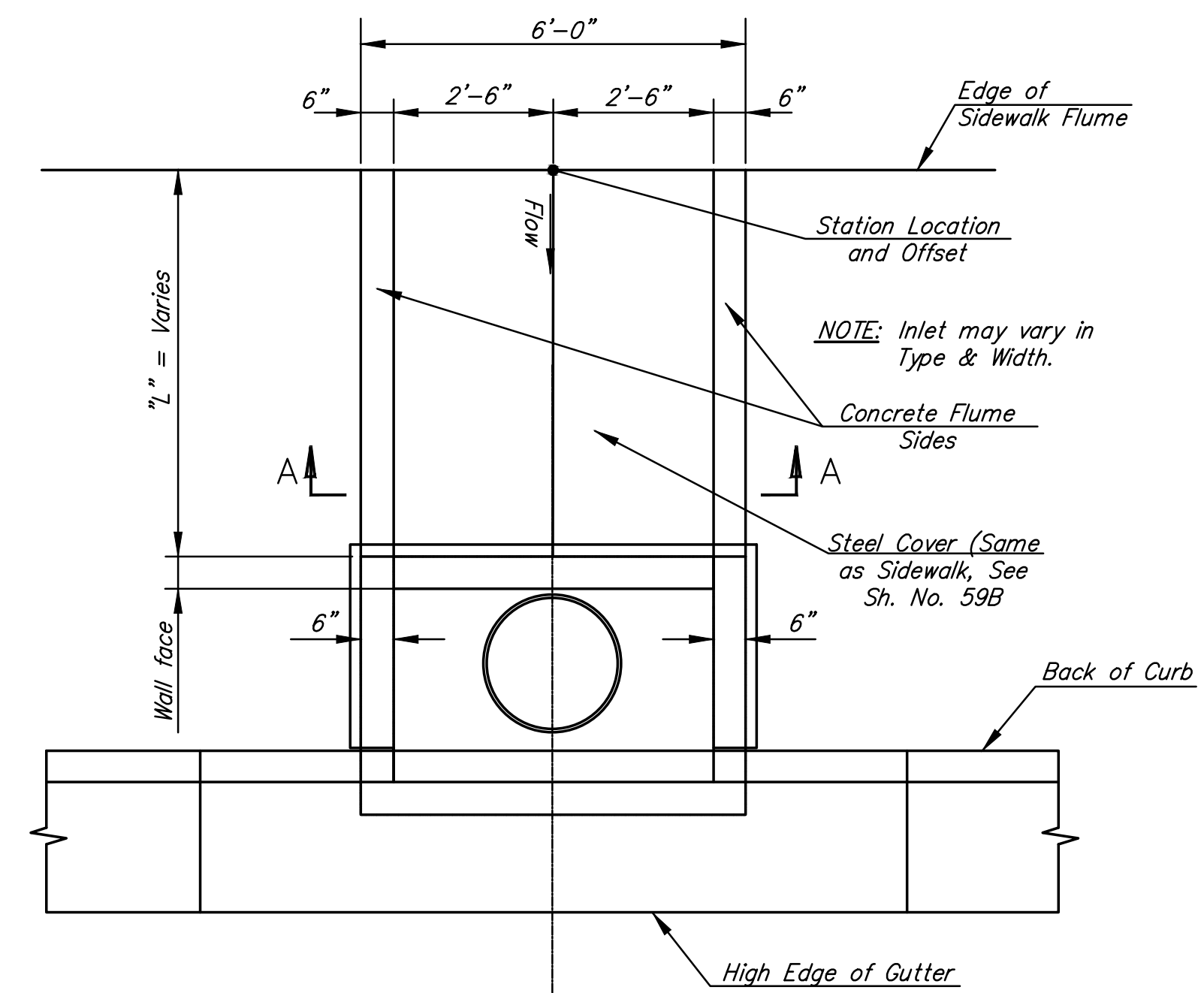


Section A-A



ELEVATION

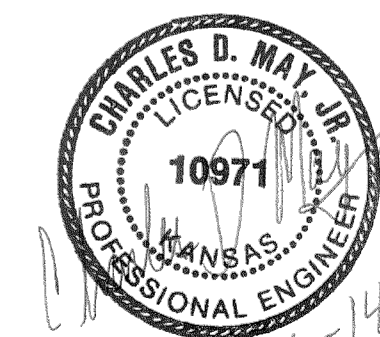


PLAN

| LOCATION |      |        |
|----------|------|--------|
| STATION  | SIDE | LENGTH |
| 116+76.5 | Lt.  | 10'    |

INLET HOOKUP, SPECIAL

| SIDEWALK FLUM SUMMARY |      |         |         |
|-----------------------|------|---------|---------|
| STATION               | SIDE | TOP     | FLOW    |
| 114+49.0              | Lt.  | 1345.77 | 1345.10 |
| 115+62.5              | Lt.  | 1345.76 | 1345.09 |
| 116+82.0              | Lt.  | 1345.31 | 1344.64 |
| 117+87.0              | Lt.  | 1344.46 | 1343.79 |



CITY OF WICHITA

MISCELLANEOUS  
STORM SEWER  
DETAILS

**Schwab Eaton** 8615 W. Frazier Lane, Suite 2  
Wichita, KS 67212  
Phone: 316-722-4472

|          |         |       |       |              |           |
|----------|---------|-------|-------|--------------|-----------|
| DESIGNED | ABS     | DRAWN | AL    | SCALE        | SHEET NO. |
| CHECKED  | ABS/CDM | DATE  | 06/14 | NOT TO SCALE | 59C       |