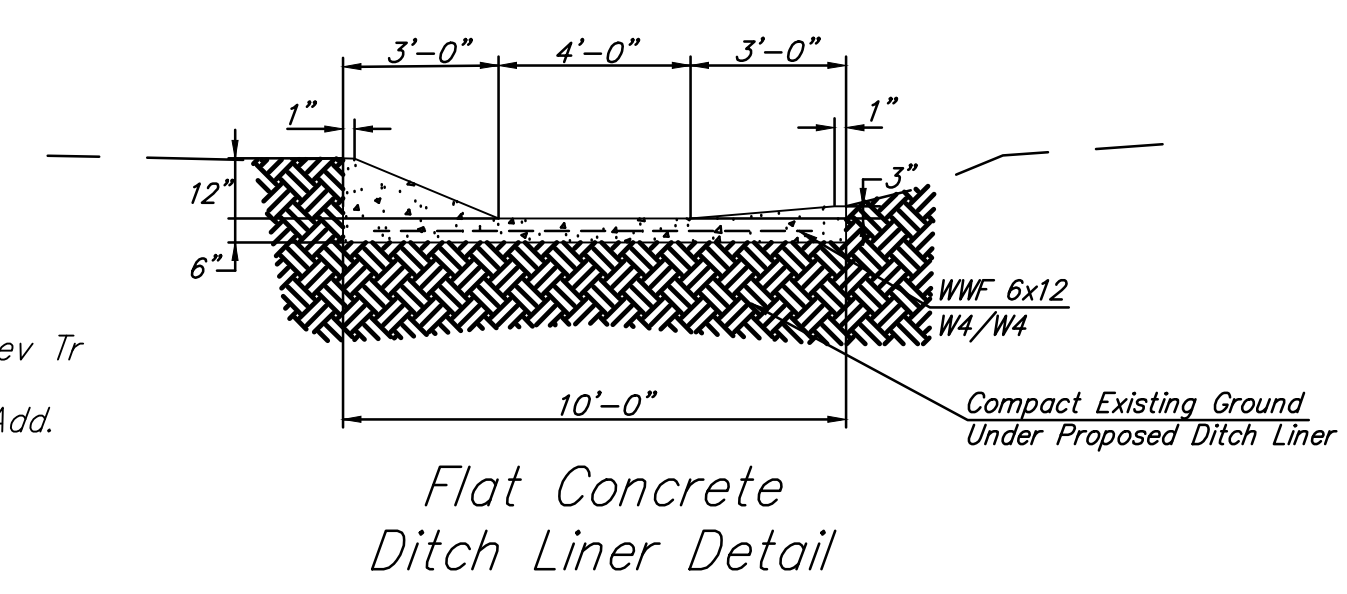
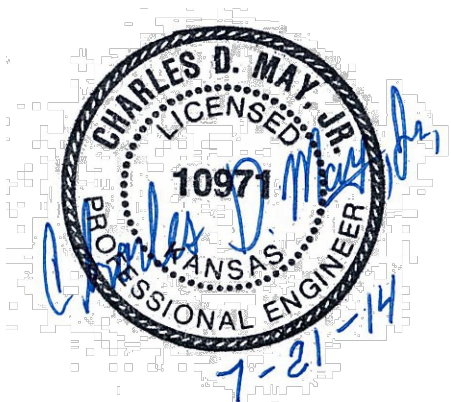
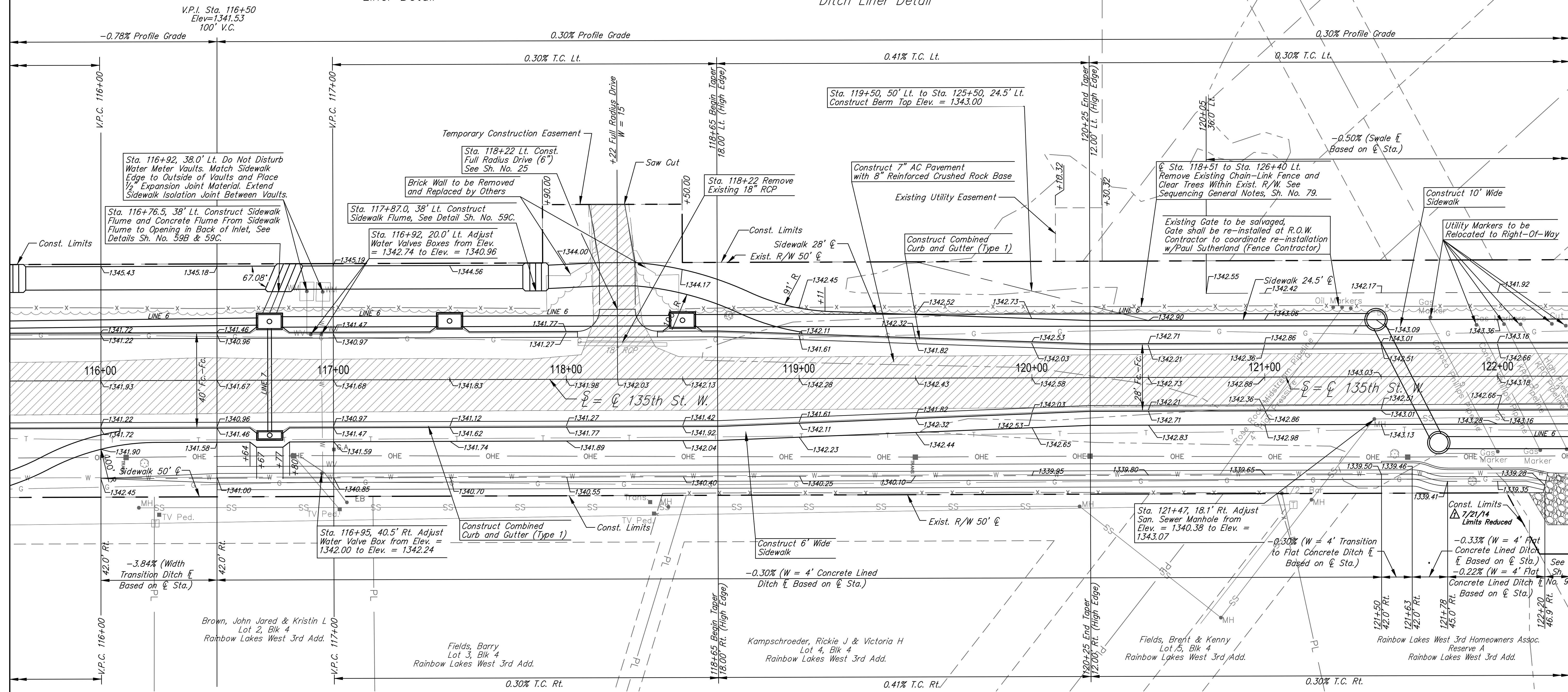


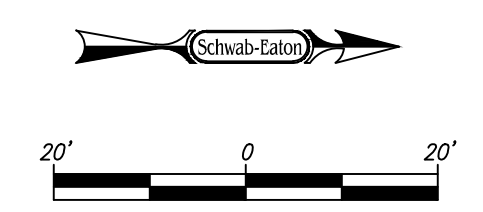
Messner, Stan D Rev Tr
Lot 1
Messner Estate Add.



!!! CAUTION !!!
Pipe Line Crossing
See General Note 26.



CAUTION:
Multiple Gas Line Crossings -
See General Notes, Sh. No. 2



CITY OF WICHITA

PLAN
STA. 115+90 TO STA. 122+30

Schwab Eaton
8615 W. Frazier Lane, Suite 2
Wichita, KS 67212
Phone: 316-722-4472

DESIGNED	ABS	DRAWN	AL/ES	SCALE	SHEET NO.
CHECKED	ABS/CDM	DATE	07/14	1"=20'	8