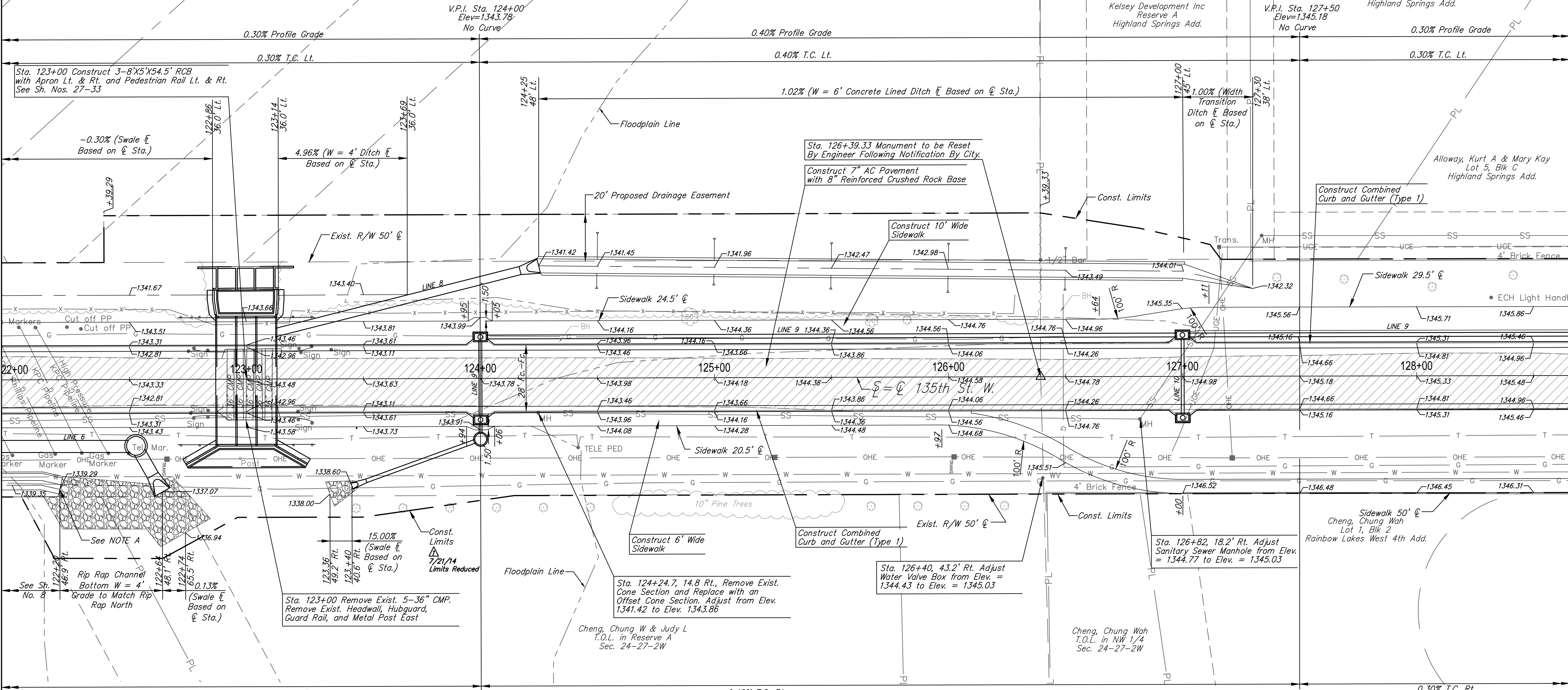
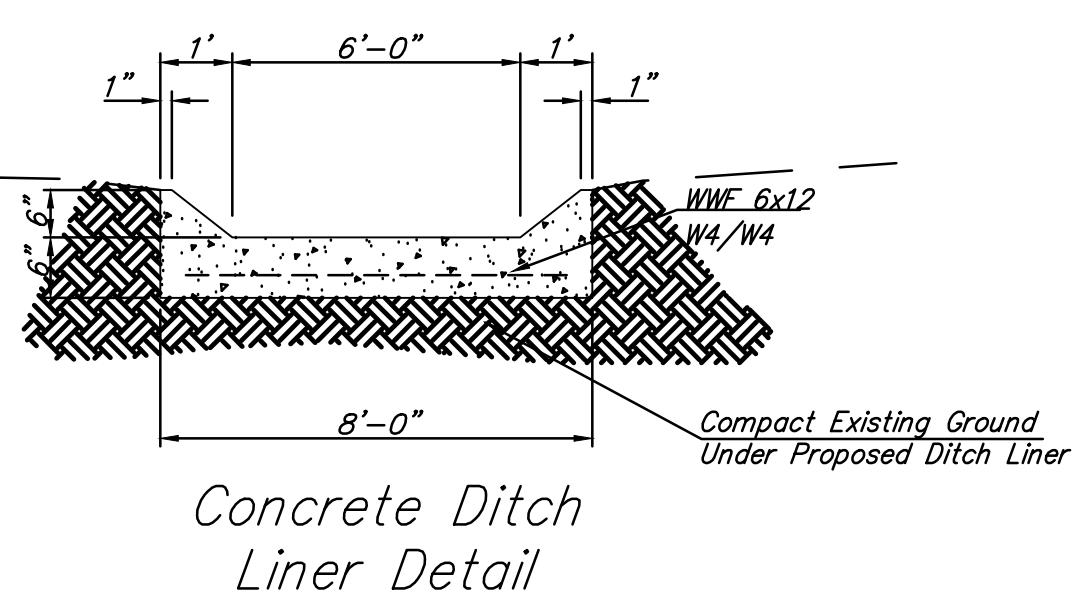


Tree removal Sta. 113+20 Lt. to 126+40 Lt. shall be paid for as "Site Clearing".

W 1/4 Cor., Sec. 24, T27S, R2W = P.O.T. Sta. 126+39.33 @ 135th Street  
 1. Found 1" Iron Pipe  
 2. 60D nail in hedge tree  
 3. Three Nails in highline pole  
 4. Southwest corner of concrete wall  
 23.21' W.  
 62.84' N.N.E.  
 49.65' N.E.

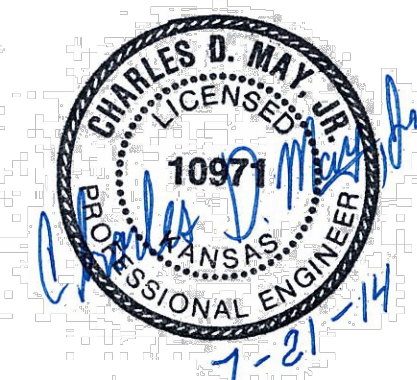
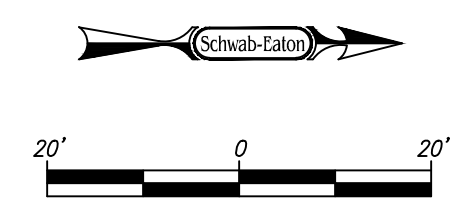


NOTE A  
 Sta. 122+20, 46.9' Rt. Construct Toe Wall at End of Flume, See Detail This Sheet

CAUTION:  
 Multiple Gas Line Crossings - See General Notes, Sh. No. 2

Center, Sec. 24, T27S, R2W  
 1. Found 1" iron pipe  
 2. 60D nail and washer in 40" hedge tree  
 3. Nail and shiner in West face of 15" hedge tree  
 4. 60D nail and washer in South face of hedge tree  
 8.91' W.  
 9.49' N.  
 10.51' E.

Center, Sec. 23, T27S, R2W  
 1. Found 8" x 8" Limestone, Found 1/2" rebar with ID cap "TILSI CLS 22" on outside of stone  
 2. 60D nail in 30" split hedge tree  
 3. PK Nail in South face of 30" hedge tree  
 4. 60D Nail and washer in North face of 30" split hedge tree  
 14.80' W.  
 5.50' N.  
 32.80' E.



CITY OF WICHITA  
 PLAN  
 STA. 122+30 TO STA. 128+60

DESIGNED	ABS	DRAWN	AL/ES	SCALE	SHEET NO.
CHECKED	ABS/CDM	DATE	07/14	1"=20'	9

**Schwab Eaton**  
 8615 W. Frazier Lane, Suite 2  
 Wichita, KS 67212  
 Phone: 316-722-4472