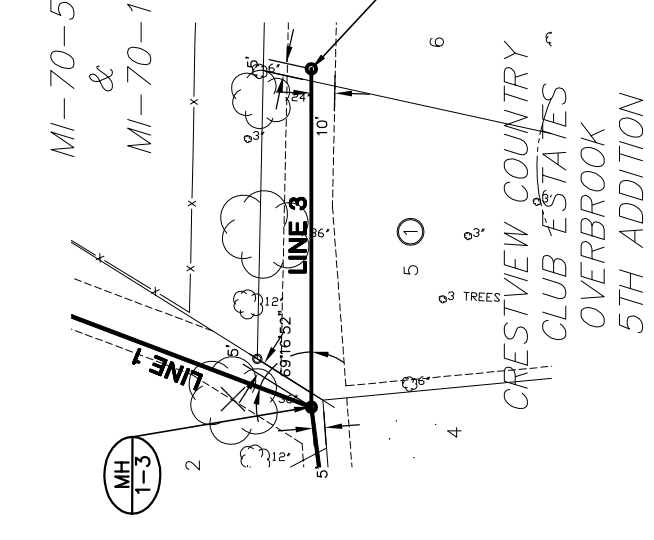
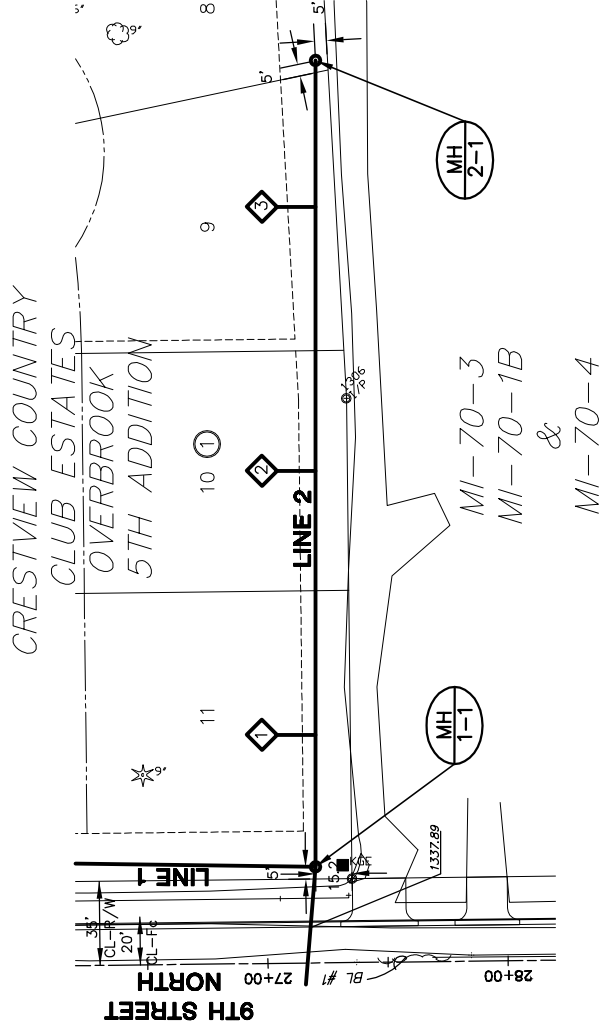
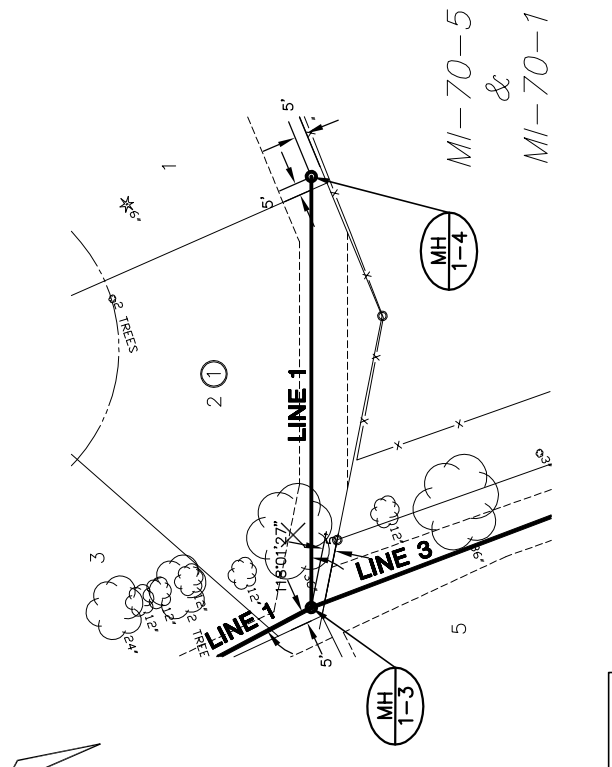
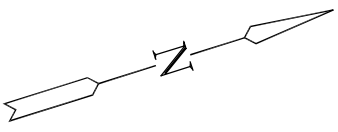


SEWER SERVICE TABLE				FOR INFORMATION ONLY			
NO.	TYPE	LOCATION		APPROXIMATE LENGTH 6" PIPE			
		LOT NO.	STATION/DIRECTION	VERTICAL	HORIZONTAL		
1	TEE SERVICE CONNECTION	11	0+55.0/LT.	6'	12'		
2	TEE SERVICE CONNECTION	10	1+65.0/LT.	7'	8'		
3	TEE SERVICE CONNECTION	9	2+75.0/LT.	6'	8'		

**CRESTVIEW COUNTRY CLUB ESTATES
OVERBROOK 5TH ADDITION**



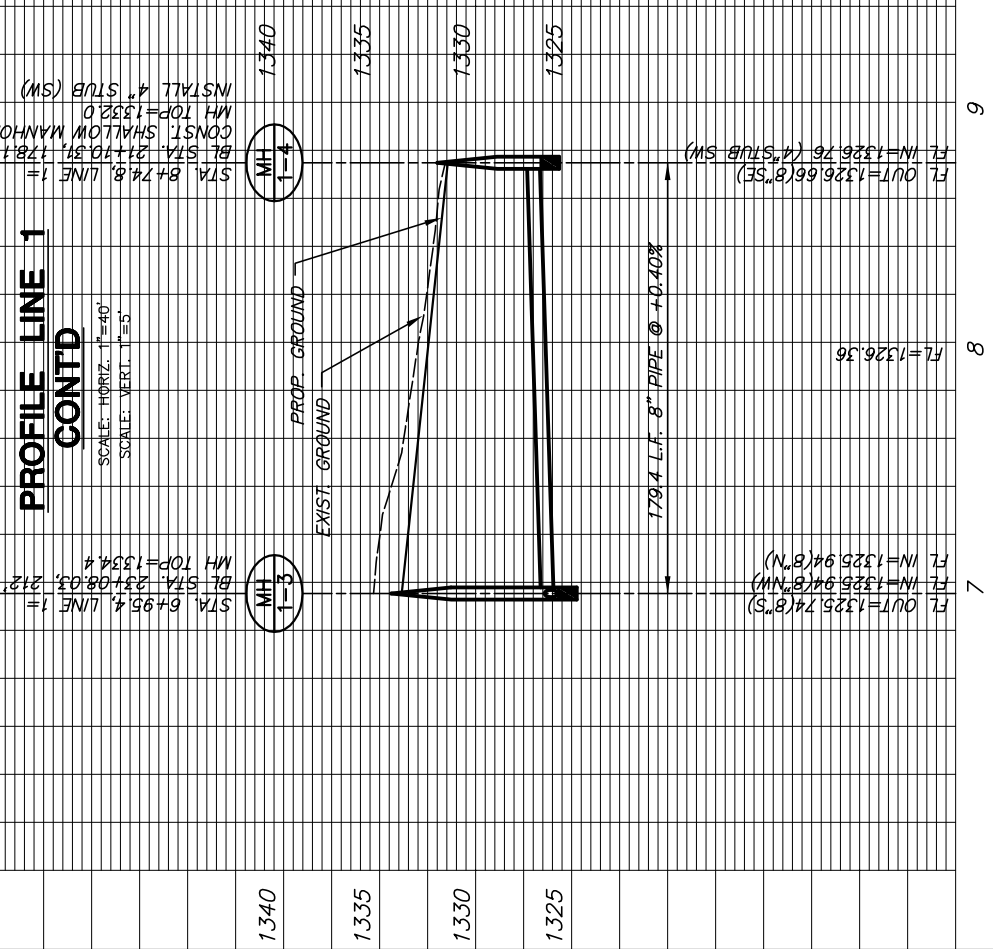
NOTE: CONTRACTOR SHALL VERIFY LOCATION & DEPTH OF EXISTING UTILITIES BEFORE CONSTRUCTION.

TREE REMOVAL
SUBSIDIARY TO SITE
CLEARING & RESTORATION

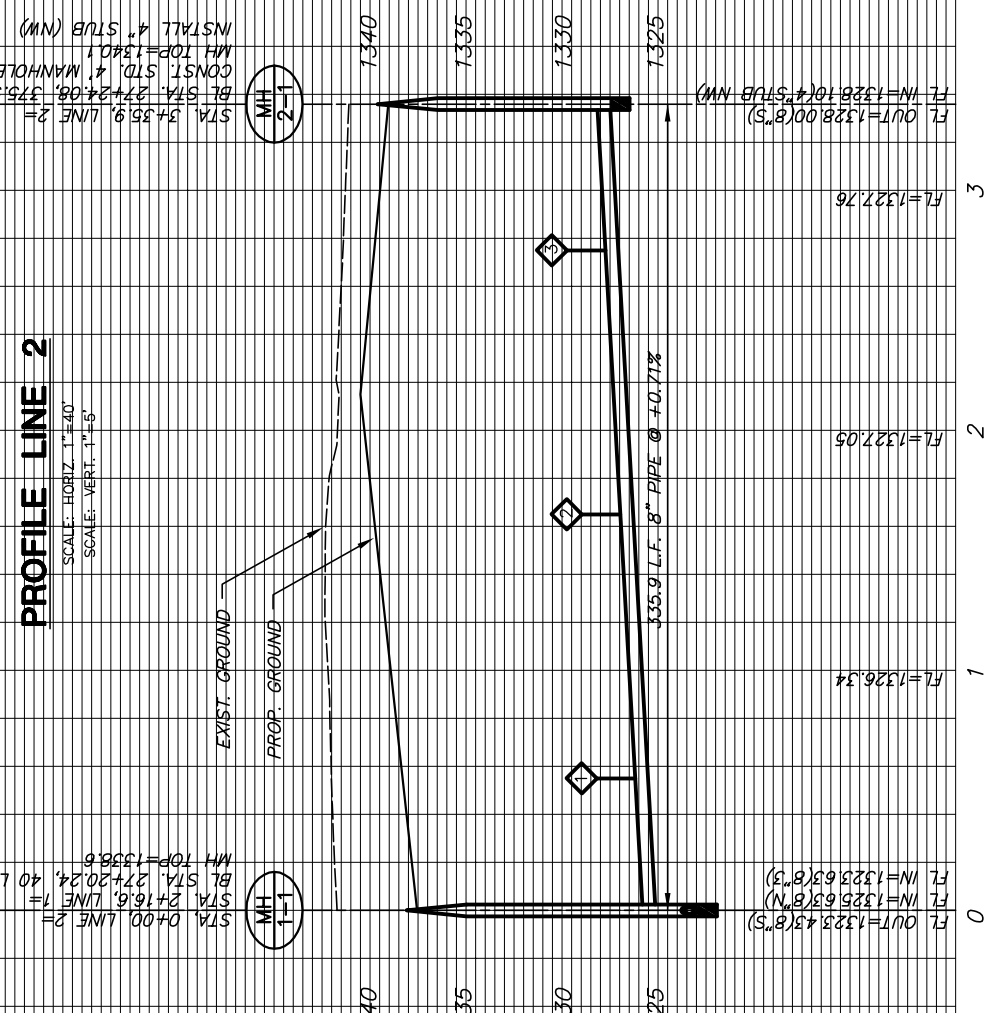
PLAN LINE 2

PLAN LINE 3

**PROFILE LINE 1
CONTD**



PROFILE LINE 2



PROFILE LINE 3

