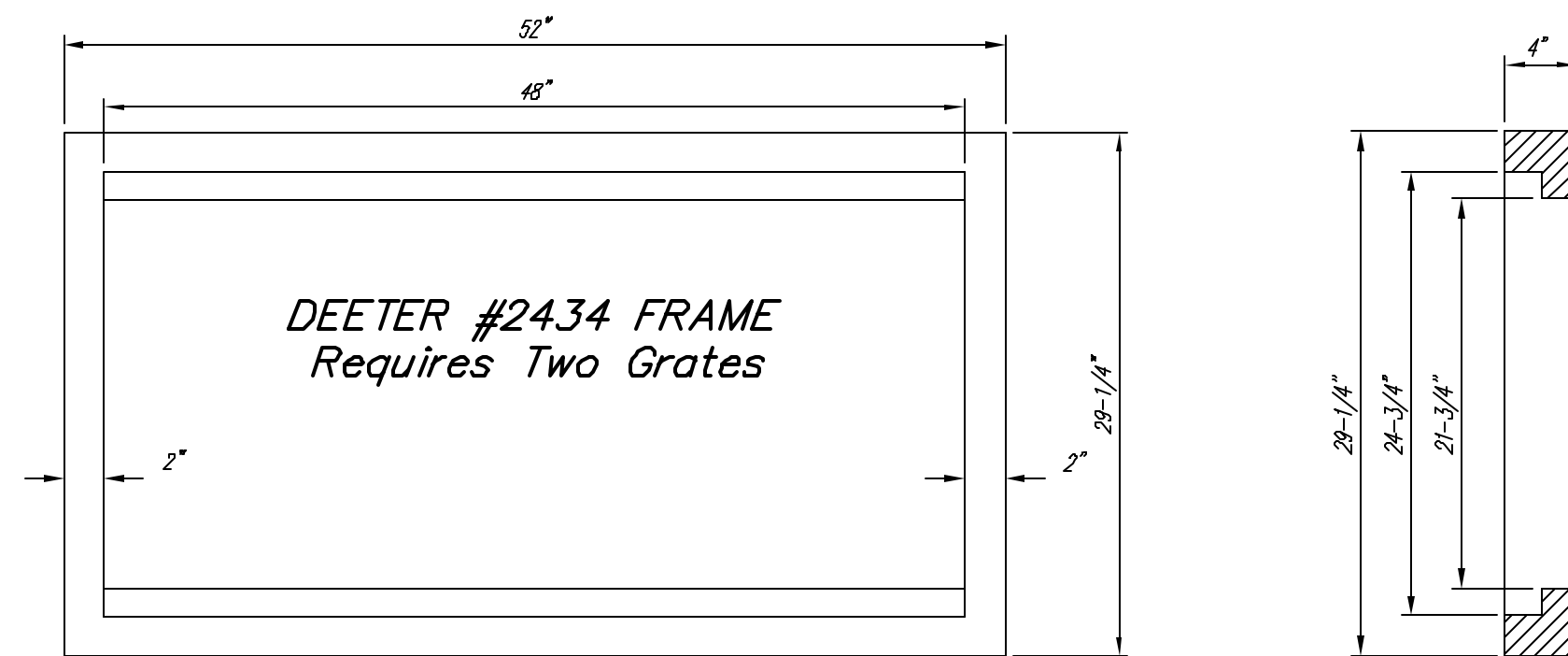


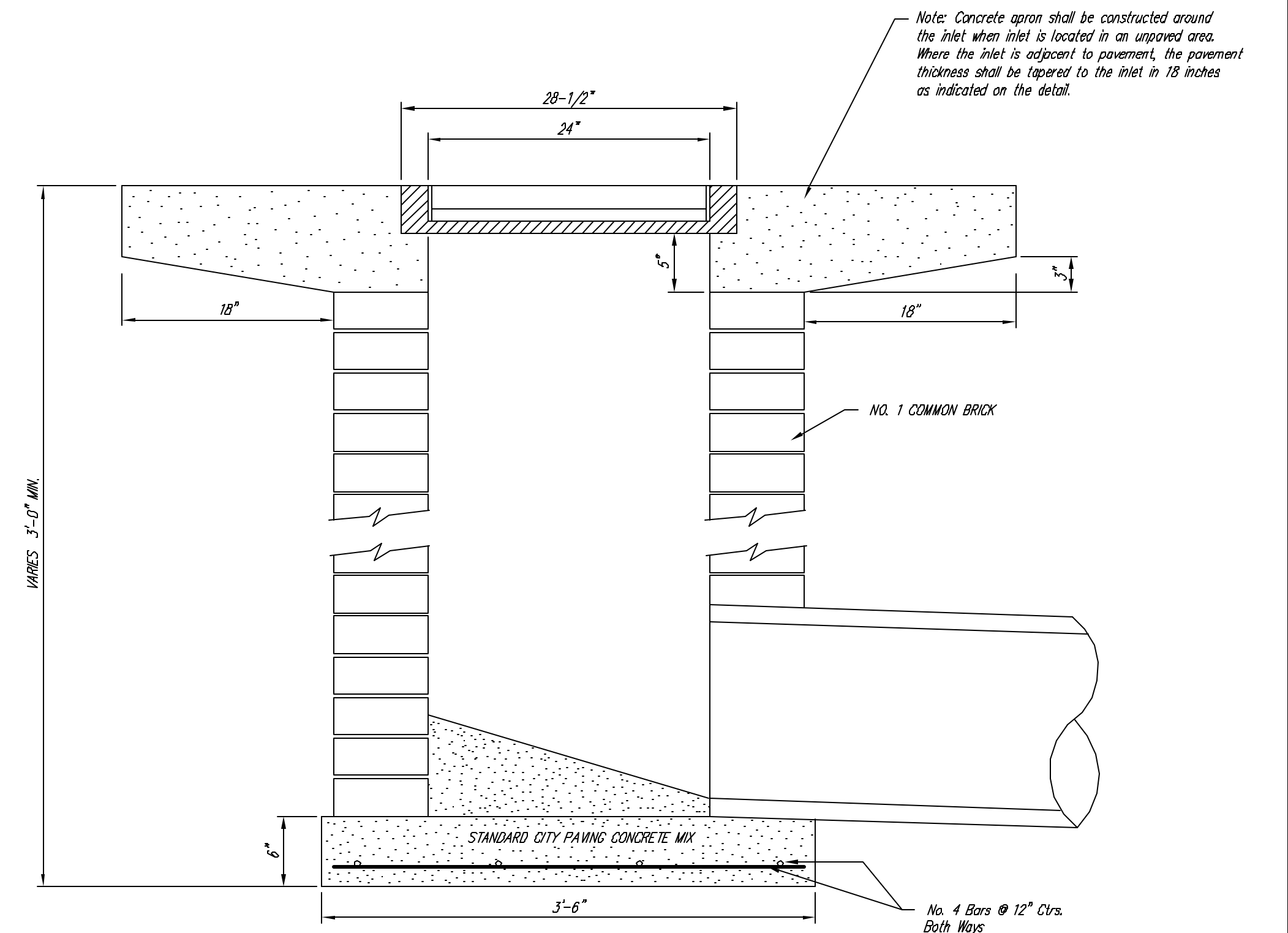
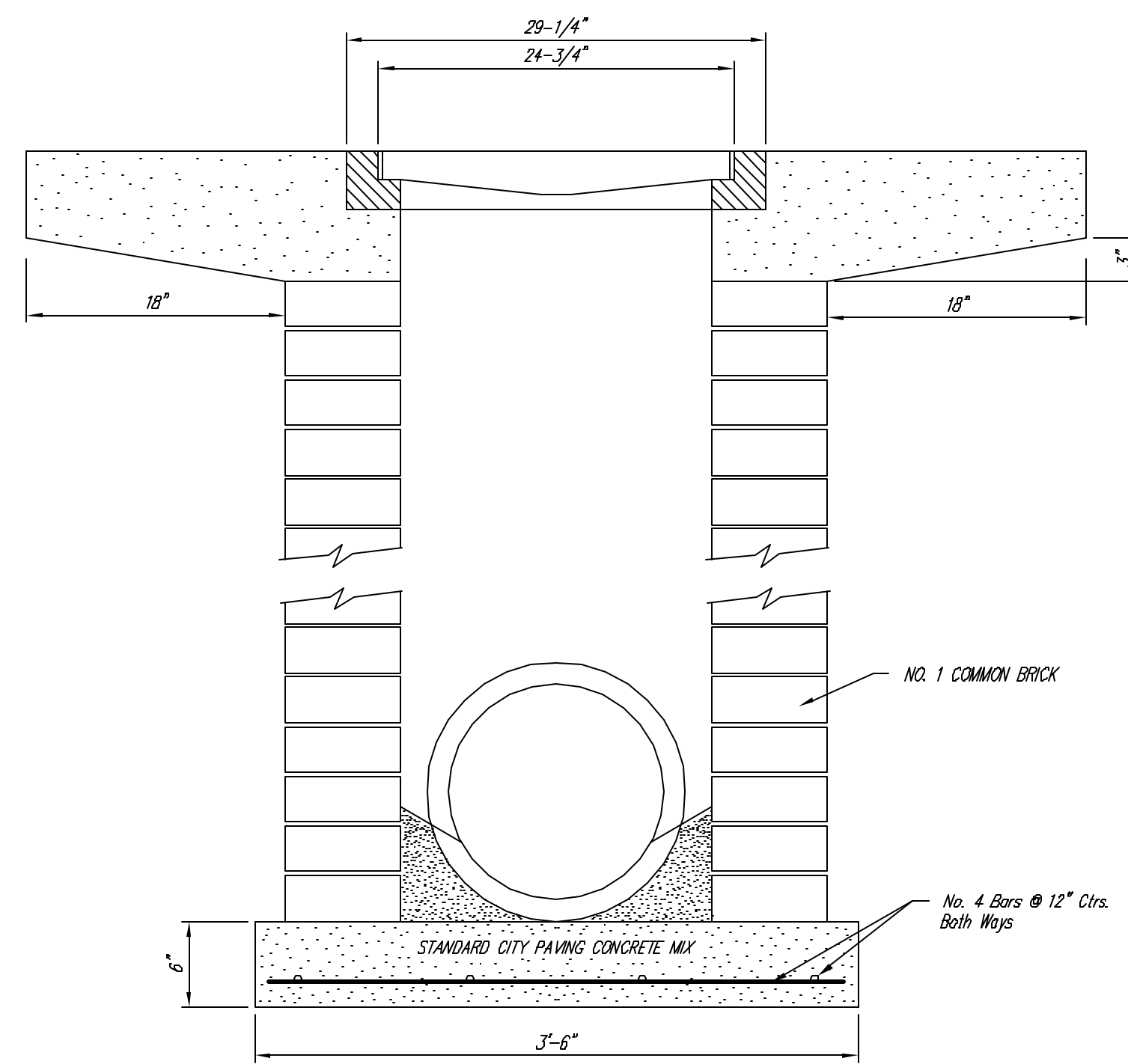
DEETER #2433 GRATE

24" x 24" Frame and Grate Detail

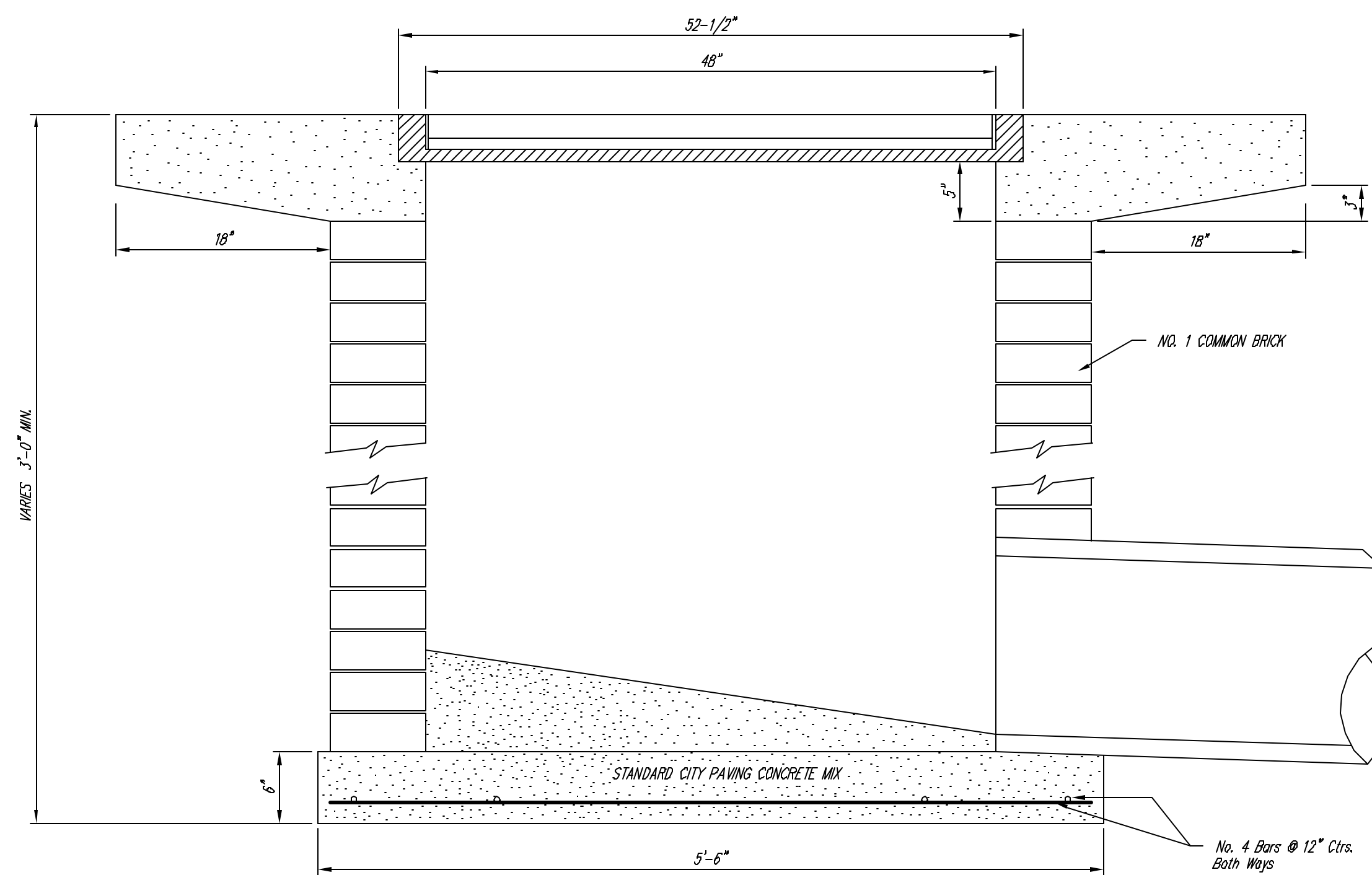


Double 24" x 24" Frame Detail

NOTE: Grates shall be imprinted on the top surface with "CITY OF WICHITA" using letters at least 1" in height. Other marking methods may be approved by the engineer.



Note: Concrete apron shall be constructed around the inlet when inlet is located in an ungraveled area. Where the inlet is adjacent to pavement, the pavement thickness shall be tapered to the inlet in 18 inches as indicated on the detail.



STANDARD DROP INLET DETAIL				
BAUGHMAN COMPANY P.A. ENGINEERING, SURVEYING, & PLANNING 316-262-7271 • 315 ELLIS • WICHITA, KANSAS 67211				
PROJECT NUMBER 488-83719				SHEET 19
DESIGN STAFF	DRAWN STAFF	APPROVED	DATE 12/03	SCALE NONE

DETAILS CORP/PLT