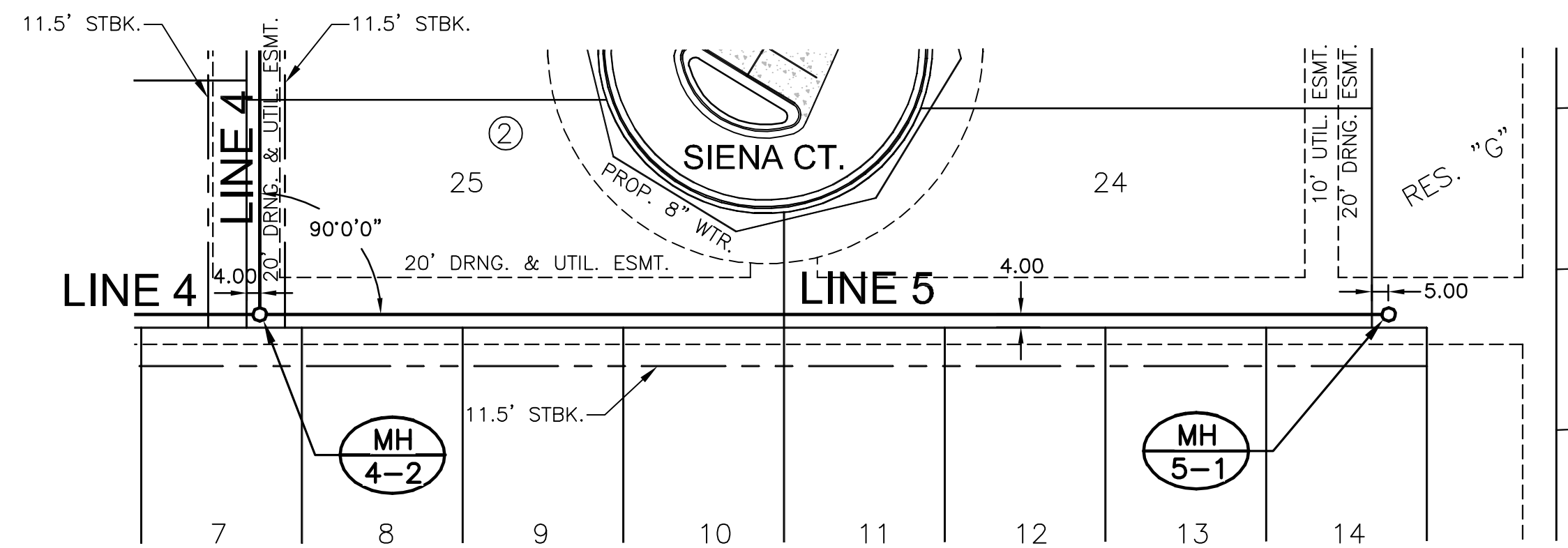
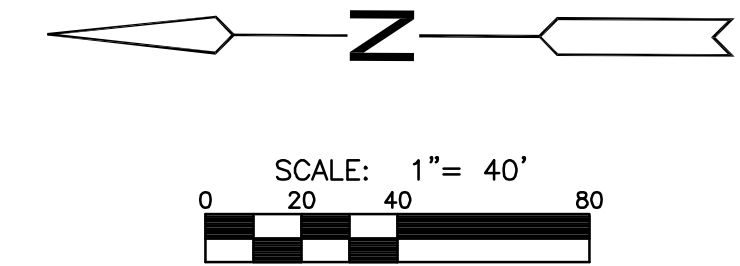


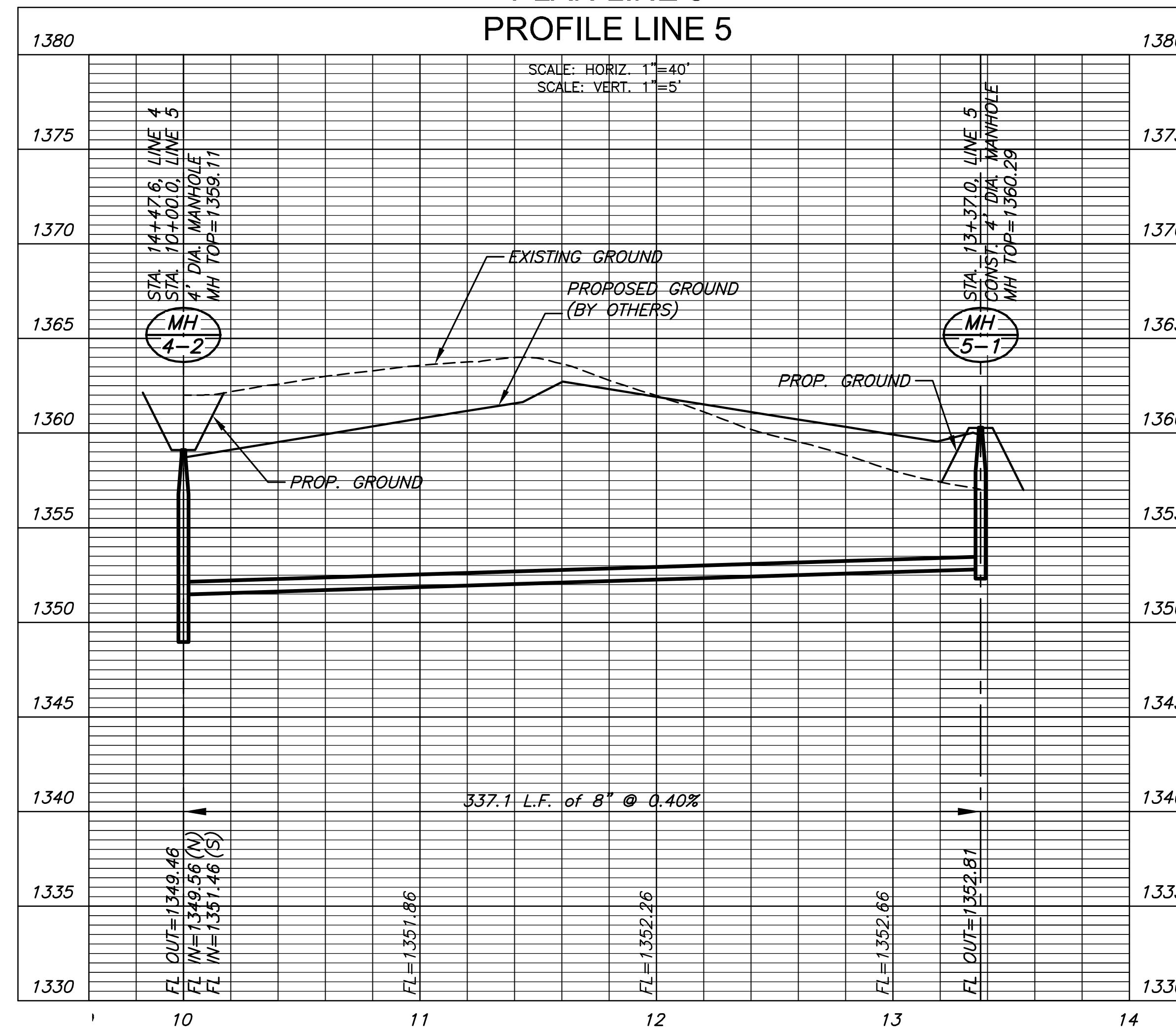
PROFESSIONAL ENGINEER  
 GREGORY J. ALBORN  
 LICENSE NO. 11169  
 KANSAS  
 12/27/13



**NOTE:**  
 CONTRACTOR TO VERIFY THE  
 DEPTH AND LOCATION OF EXISTING  
 UTILITIES PRIOR TO CONSTRUCTION.



**PLAN LINE 5  
 PROFILE LINE 5**



SANITARY SEWER PLANS FOR  
**COURTYARDS @ AUBURN HILLS**  
 PHASE 1

©2013  
 MKEC Engineering  
 All Rights Reserved  
 www.mkec.com  
 These drawings and their contents,  
 including, but not limited to, all concepts,  
 designs, & ideas are the exclusive  
 property of MKEC Engineering (MKEC),  
 and may not be used or reproduced in any  
 way without the express consent of MKEC.

**LINE 5 PLAN &  
 PROFILE**

PROJECT NO.	468-84917	
DATE	DEC. 2013	
SCALE	1"=40'	
DESIGNED	DRAWN	CHECKED
SPE	BKS	GJA

NO.	REVISION	DATE

SHEET NO.  
 9 OF 17

J:\PROJECTS\2013\1301010232\_PERFECTION\_COURTYARDS\_AT\_AUBURNHILLS\CADD\SANPHASE\_1113202\_BS.DWG