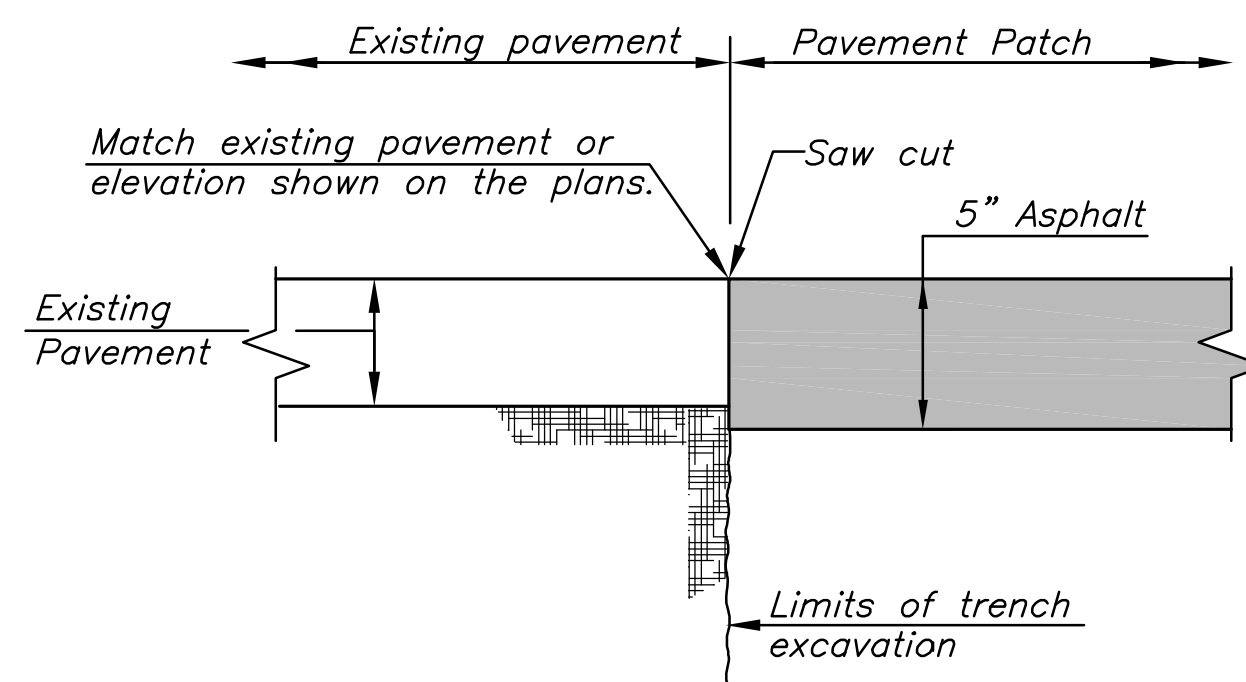


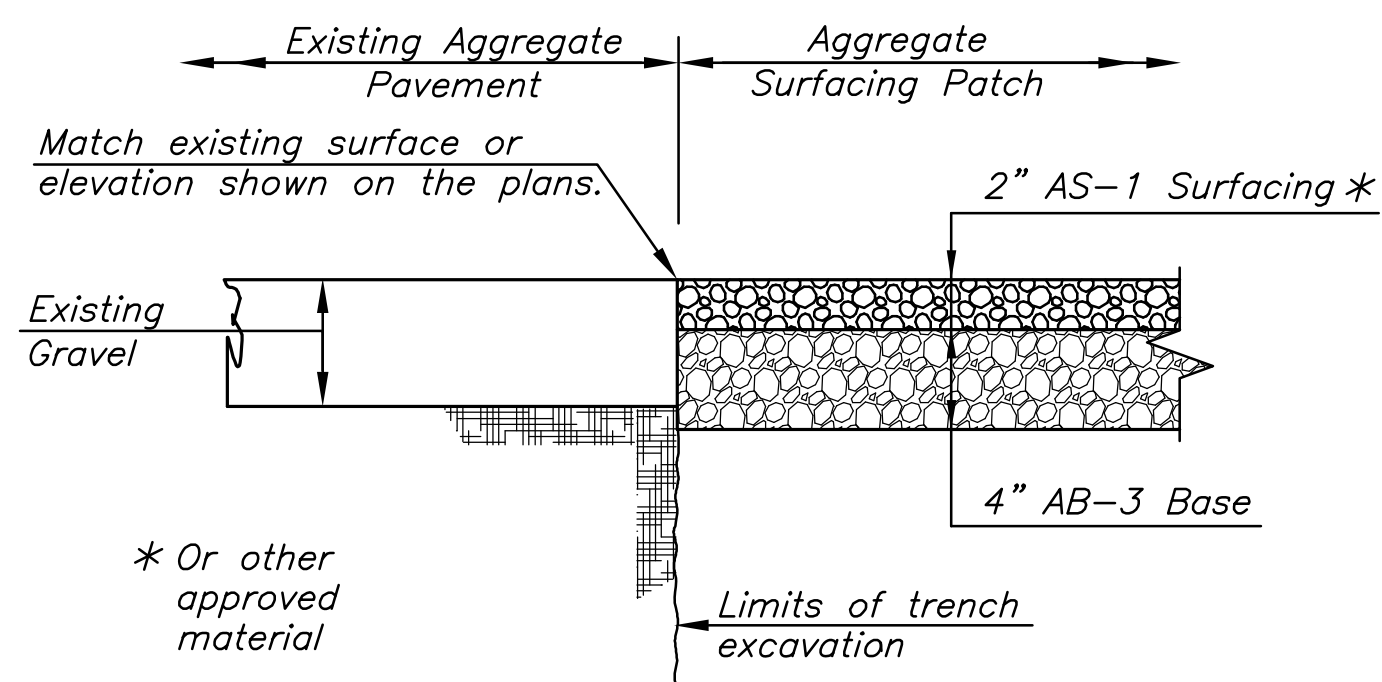
BROADWAY PAVEMENT PATCH DETAIL

Existing pavement removal shall be paid for as "AC Pavement Removal" and shall be measured by the linear foot. New Pavement and Concrete Base will be paid as shown on this detail and shall be measured by the linear foot.



ASPHALT PAVEMENT PATCH DETAIL

Paid for as "AC Pavement Removed and Replaced" and includes the removal of existing asphalt.



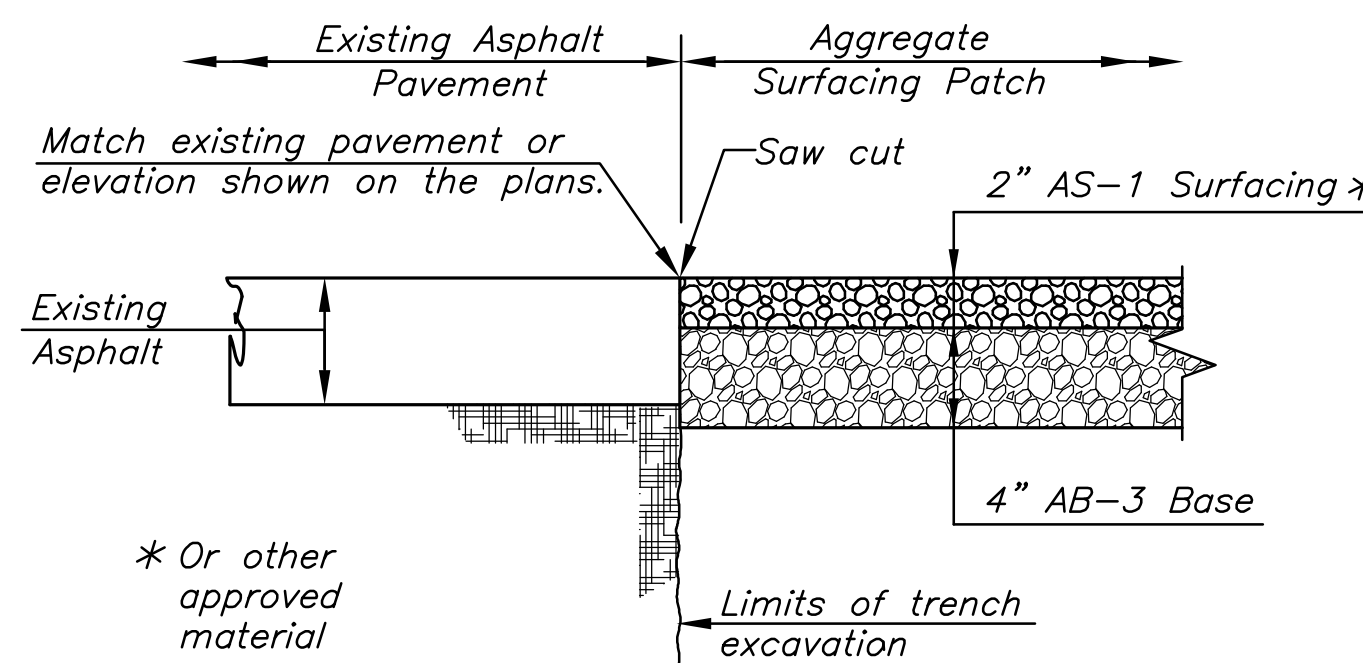
AGGREGATE SURFACING PATCH DETAIL

Paid for as "Gravel Drive Removed and Replaced" and includes the removal of existing aggregate pavements.

SUMMARY OF SANITARY SEWER ITEMS						
LINE NO.	8" SANITARY SEWER L.F.	MANHOLE (TYPE P) 4' DIA. EACH	MANHOLE CONNECT TO EXIST. EACH	MH FRAME & COVER REPLACED EACH	RISER ASSY. 6", VERTICAL EACH	RISER ASSY. 6", MH STUB EACH
LINE 1	826.9	4	1	1	6	2
LINE 2	99.7	1	0	0	1	1
TOTAL	926.6	5	1	1	7	3

SUMMARY OF REMOVAL ITEMS		
LINE NO.	EXISTING AC PAVEMENT L.F.	PIPE AND CHAIN FENCE L.F.
LINE 1	48.5	45.0
LINE 2	0	15.0
TOTAL	48.5	60.0

SUMMARY OF SURFACE REPLACEMENT				
LINE NO.	ASPHALT PATCH L.F.	AGGREGATE PATCH L.F.	BROADWAY PATCH L.F.	CONCRETE CURB & GUTTER L.F.
LINE 1	250.7	632.3	48.5	20.0
LINE 2	27.5	48.2	0	0.0
TOTAL	278.2	680.5	48.5	20.0



EXISTING ASPHALT REMOVAL & AGGREGATE SURFACING PATCH DETAIL

Paid for as "Pavement Removed and Replaced" and includes the removal of existing asphalt pavement.

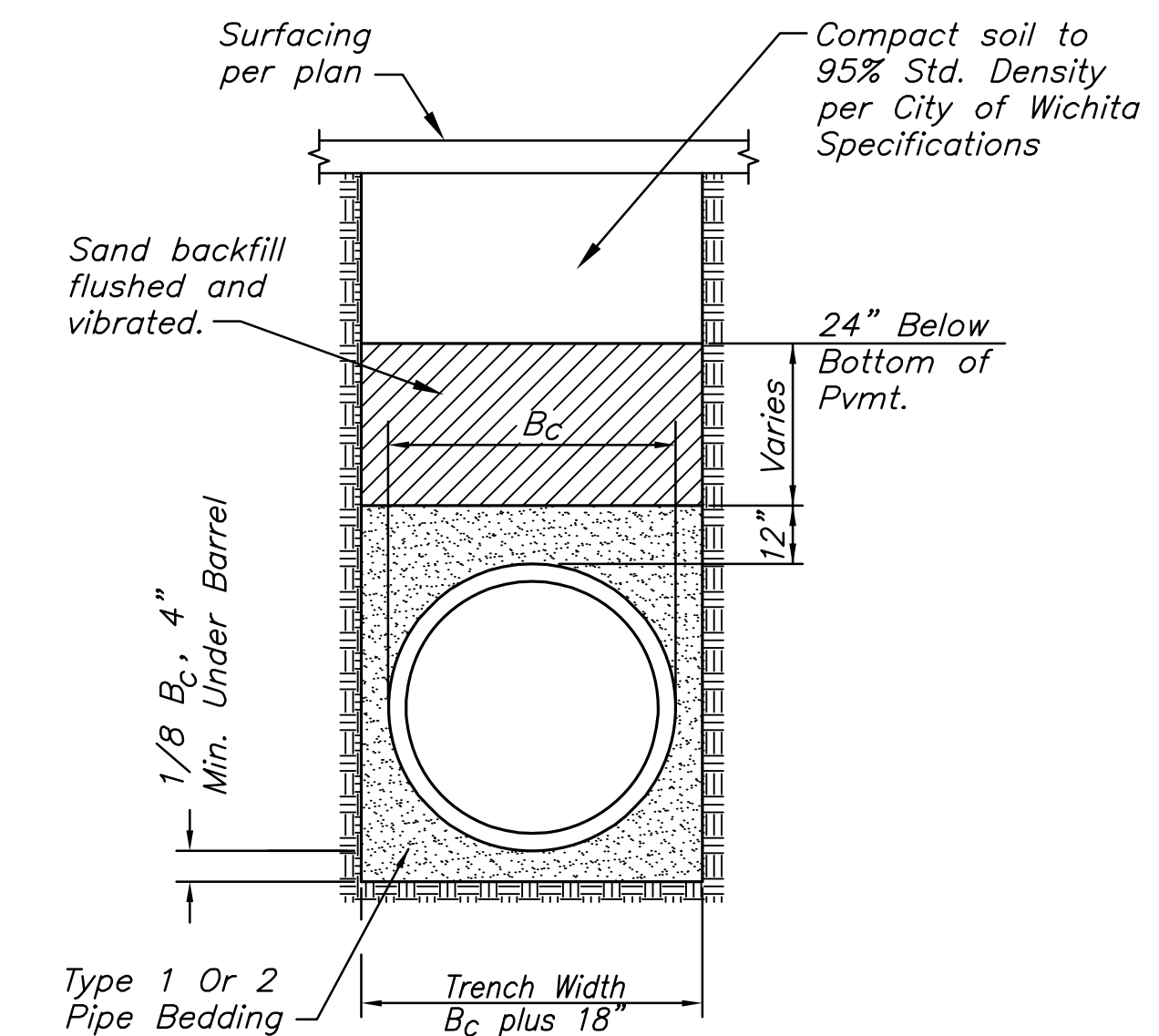
RECAPITULATION OF QUANTITIES		
MEASURED QUANTITY BID ITEMS	QUANTITY	UNIT
LUMP SUM BID ITEMS – SANITARY SEWER:		
Pipe SS, 8"	927	L.F.
MH, Standard SS (4')	5	EACH
MH, Connect to Existing	1	EACH
Riser Assembly 6", Vertical	7	EACH
Riser Assembly 6", Manhole Stub	3	EACH
Air Testing, SS Pipe	927	L.F.
Fill, Sand (Flushed & Vibrated)	927	L.F.
MH Frame & Cover, Replaced	1	EACH
Site Clearing	1	L.S.
Site Restoration	1	L.S.
Mobilization	1	L.S.
Traffic Control	1	L.S.
Concrete Safety Barrier	125	L.F.
Sodding	1	L.S.
MEASURED QUANTITY BID ITEMS – SANITARY SEWER:		
AC Pavement Removed	49	L.F.
AC Pavement Removed & Replaced	279	L.F.
Gravel Drive Removed & Replaced	409	L.F.
Pavement Removed & Replaced	272	L.F.
Fence Removed	60	L.F.
AC Surface Course, 2"	49	L.F.
Concrete Base 6", (Reinf.)	49	L.F.
△ Concrete C&G Removed & Replaced	20	L.F.
BMP, Back of Curb Protection	40	L.F.
BMP, Silt Fence	800	L.F.

△ Match existing concrete curb and gutter type

NOTES:

Pavement removal and replacement shall be measured by the linear foot parallel to the sanitary sewer line.

Curb removal and replacement shall be measured by the linear foot along the length of removal perpendicular to the sanitary sewer line.



SANITARY SEWER TRENCH DETAIL
(Under Pavement)

SANITARY SEWER PLANS FOR
LATERAL 100, MAIN 1
SOUTHWEST INTERCEPTOR SEWER
 CITY OF WICHITA, KANSAS

©2013 MKEC Engineering All Rights Reserved
 www.mkec.com
 These drawings and their contents, including, but not limited to, all concepts, designs, & ideas are the exclusive property of MKEC Engineering (MKEC), and may not be used or reproduced in any way without the express consent of MKEC.

SUMMARY AND RECAPITULATION OF QUANTITIES

PROJECT NO.	468-84947	
DATE	DATE	
SCALE	NO SCALE	
DESIGNED	DRAWN	CHECKED
DMU	DMU	JAG

NO.	REVISION	DATE

SHEET NO.