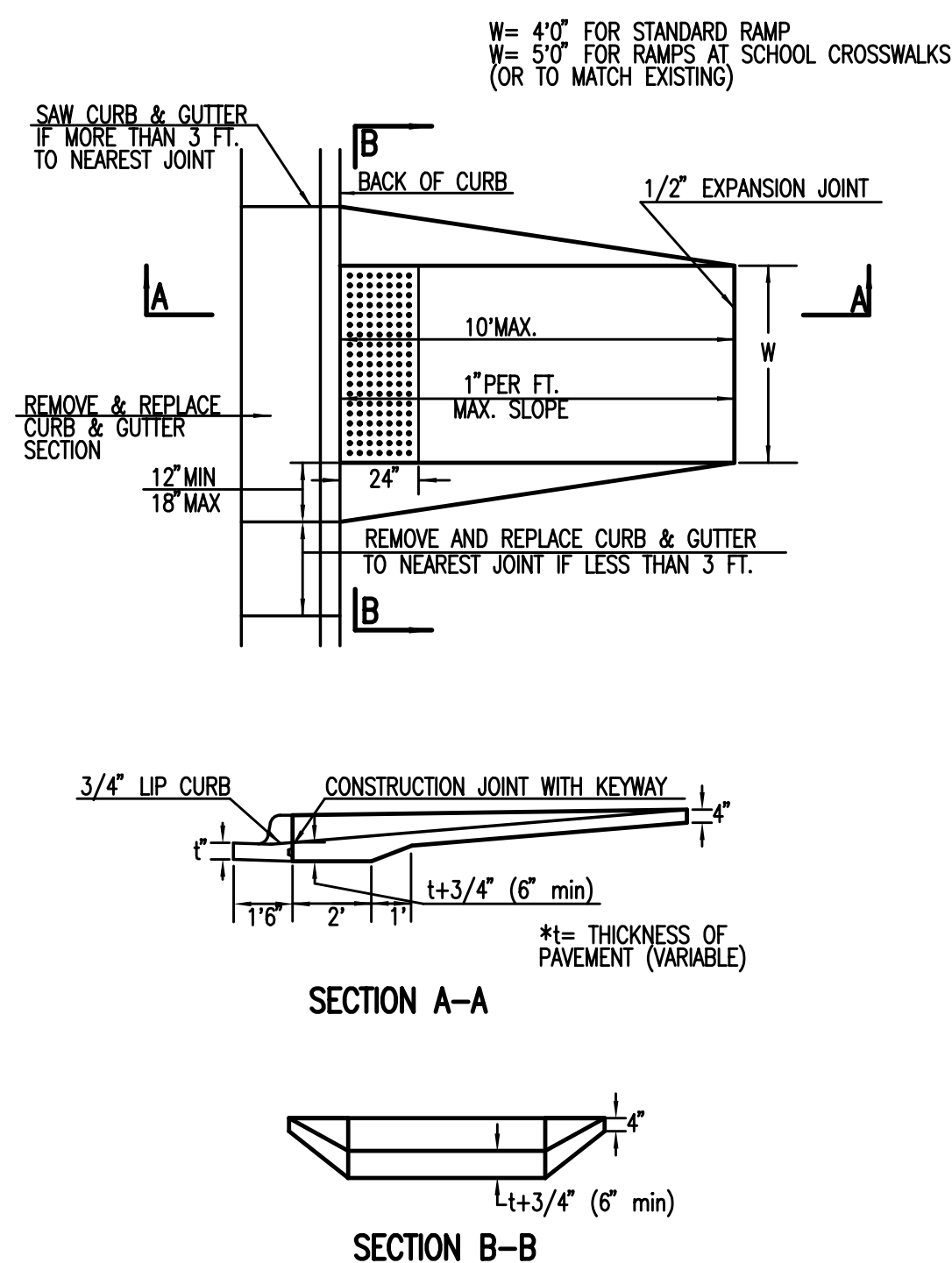
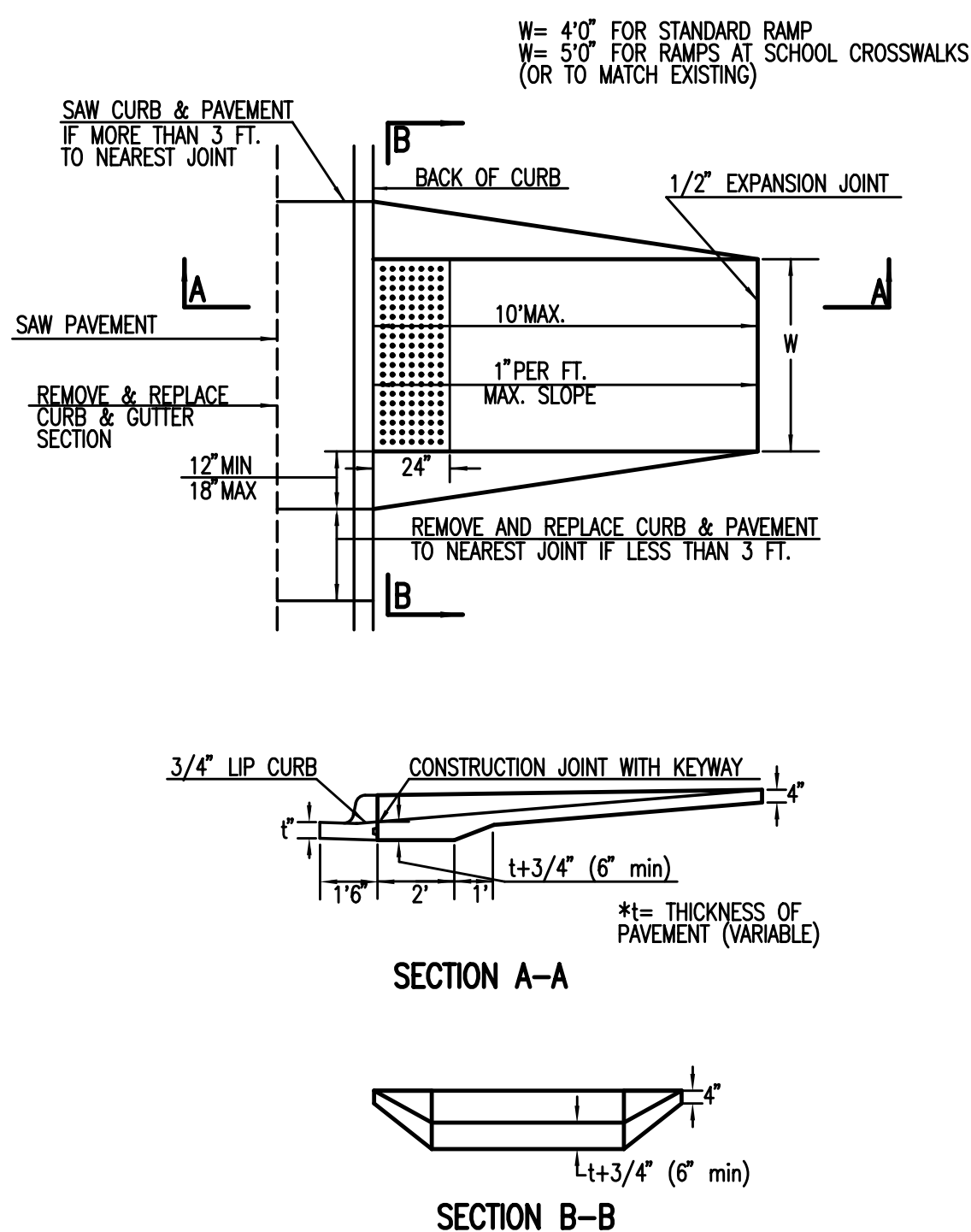


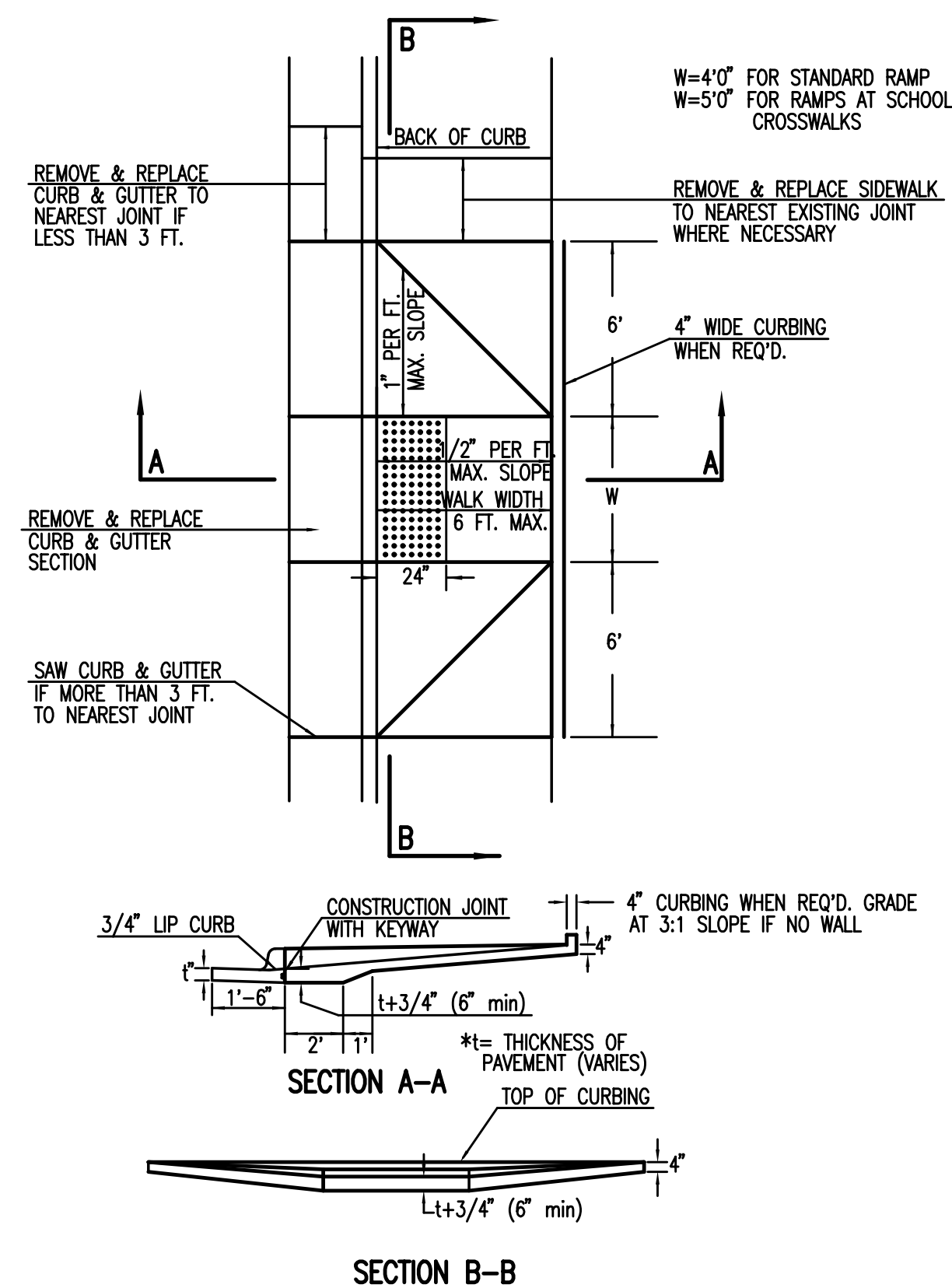
**STANDARD WHEELCHAIR RAMP CONSTRUCTION DETAIL FOR STREETS WITH COMBINED CURB & GUTTER (TYPE A)**



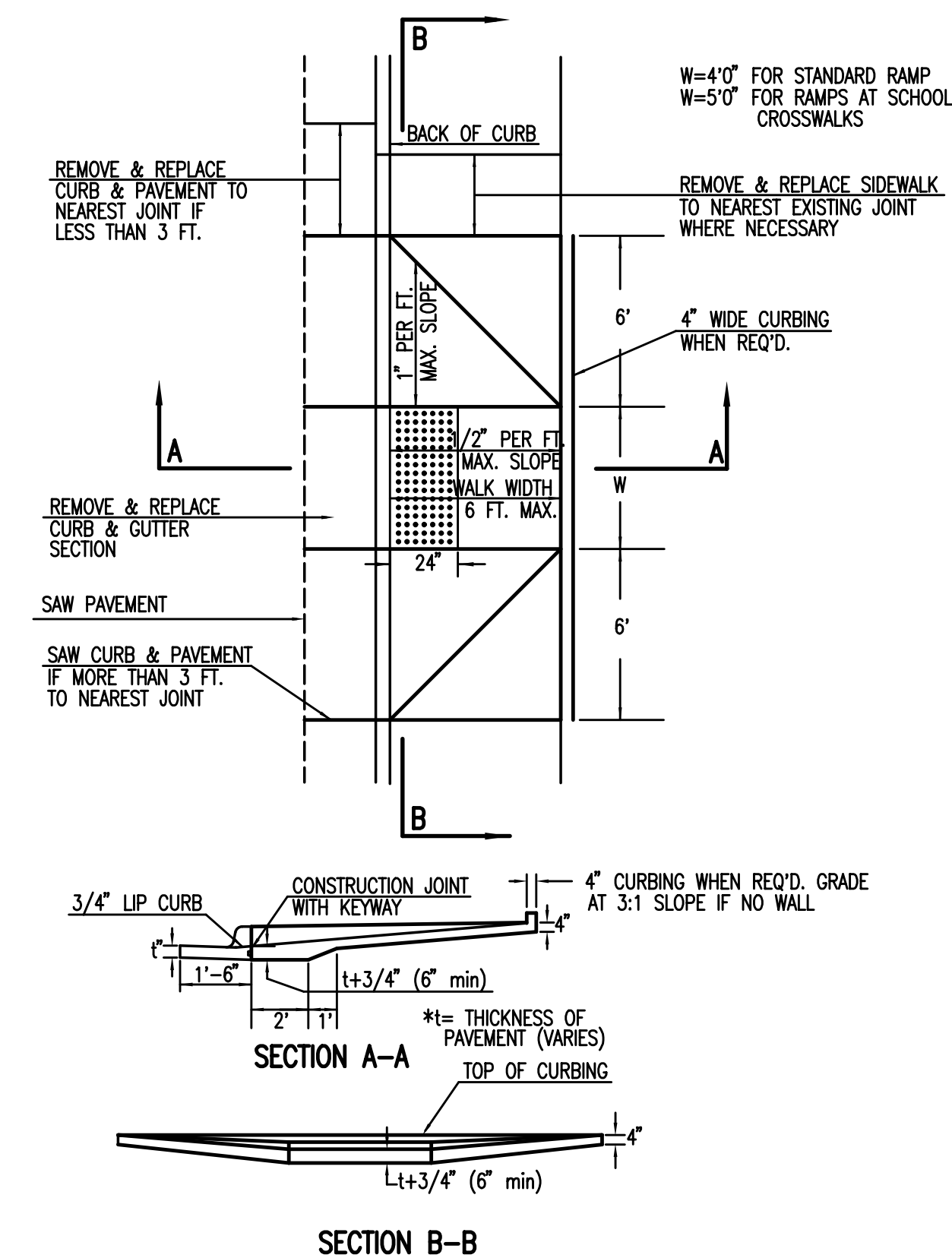
**STANDARD WHEELCHAIR RAMP CONSTRUCTION DETAIL FOR CONCRETE STREETS WITH MONOLITHIC CURB (TYPE A)**



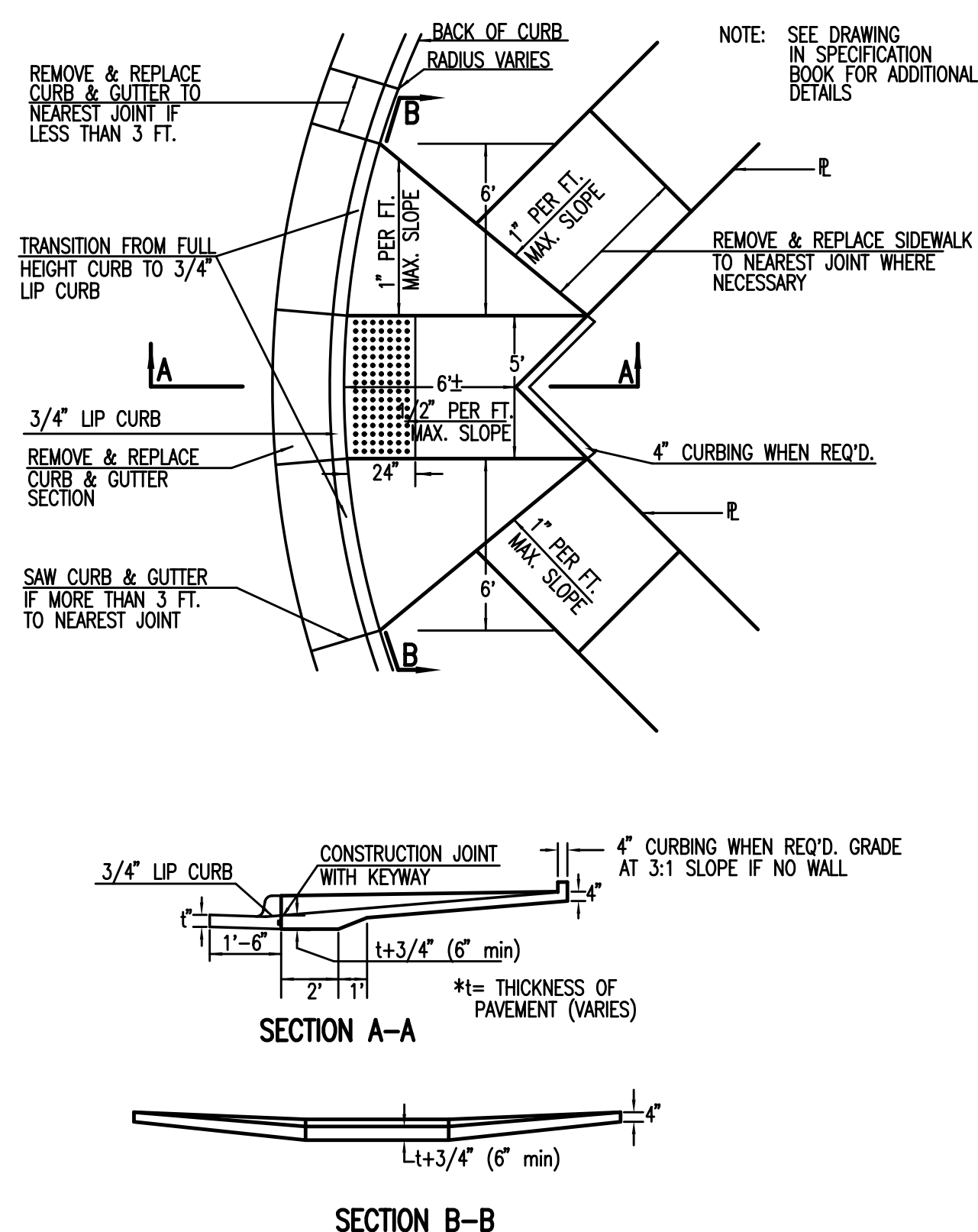
**STANDARD WHEELCHAIR RAMP CONSTRUCTION DETAIL FOR STREETS WITH COMBINED CURB & GUTTER AND FULL WALK (TYPE B)**



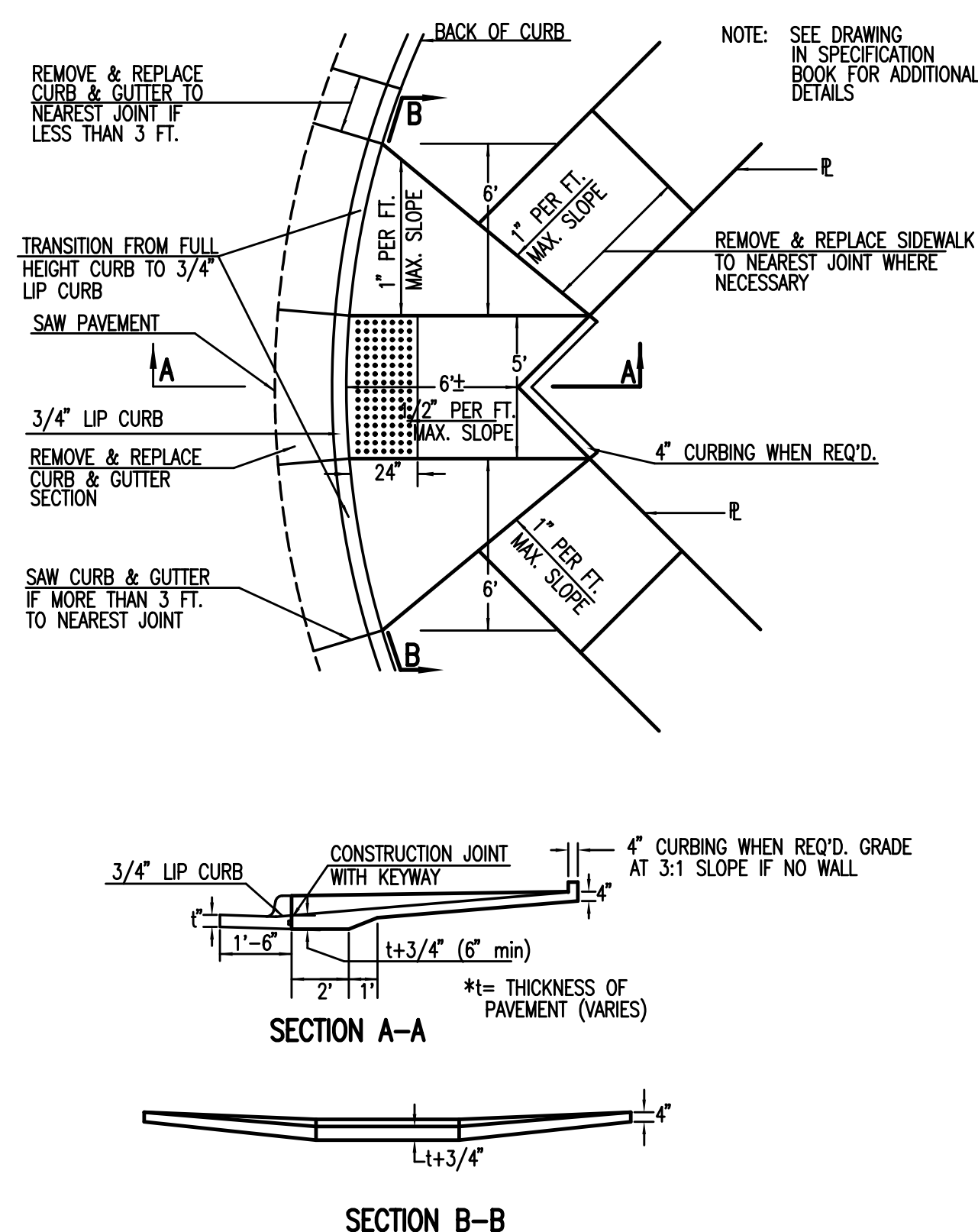
**STANDARD WHEELCHAIR RAMP CONSTRUCTION DETAIL FOR STREETS WITH MONOLITHIC CURB AND FULL WALK (TYPE B)**



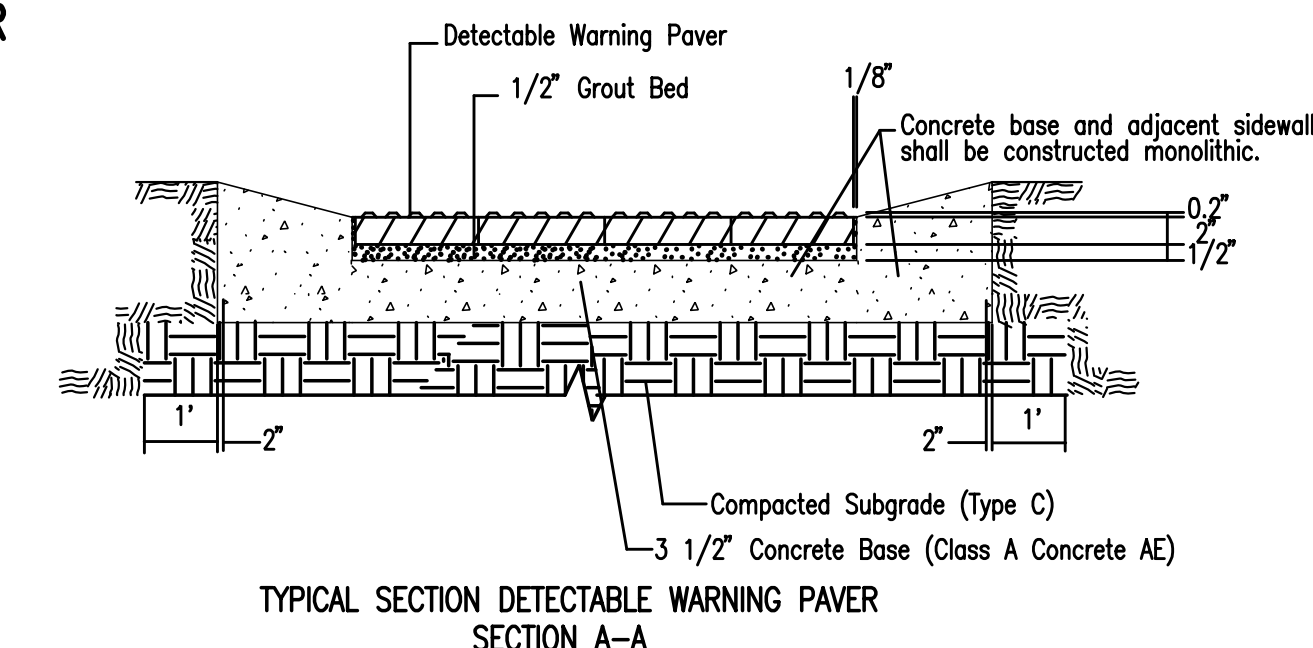
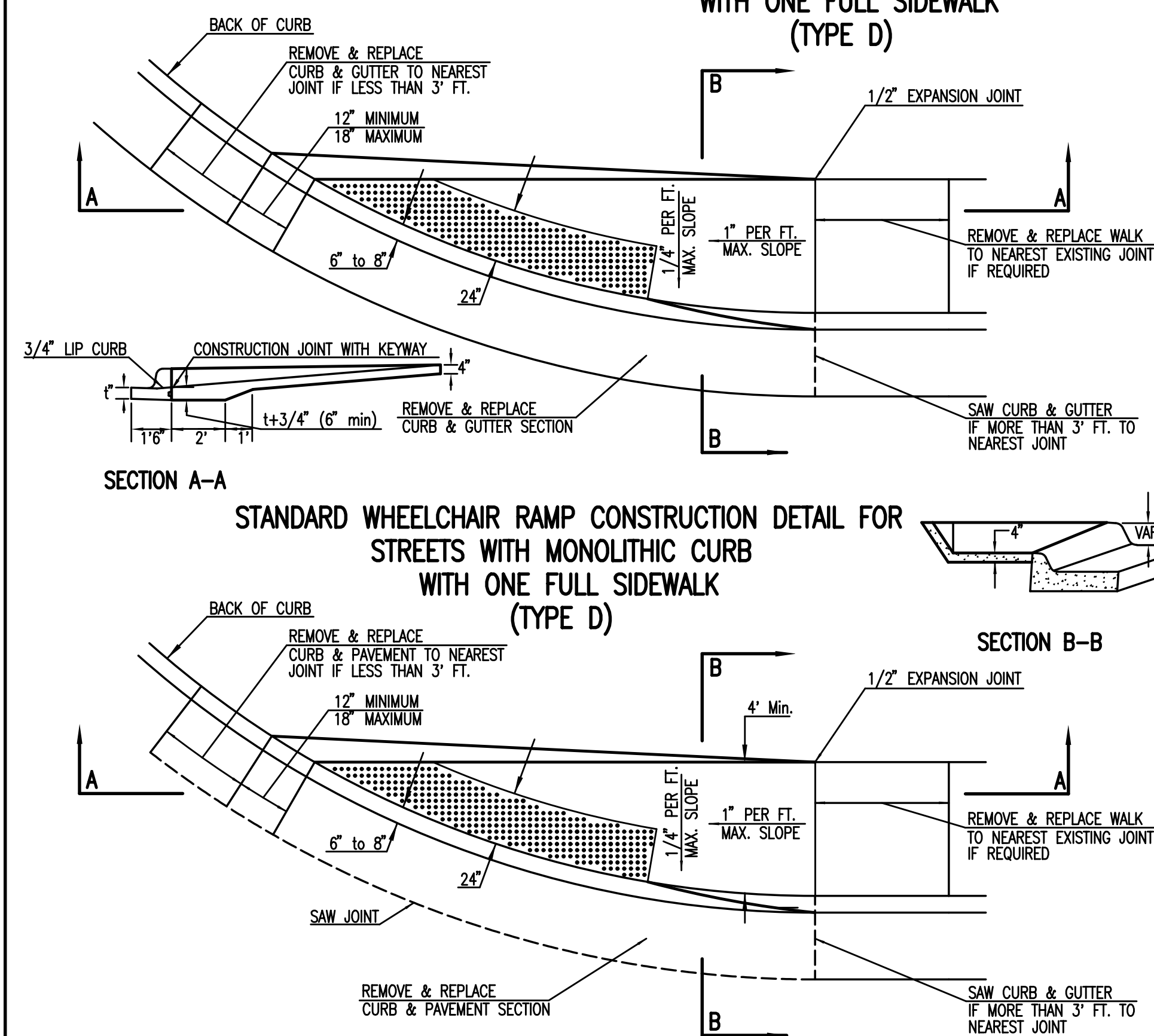
**STANDARD WHEELCHAIR RAMP CONSTRUCTION DETAIL FOR STREET WITH COMBINED CURB AND GUTTER ON RADIUS WITH 6± FROM BACK OF CURB TO PROPERTY CORNER (TYPE C)**



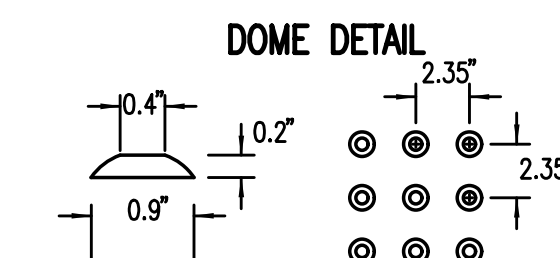
**STANDARD WHEELCHAIR RAMP CONSTRUCTION DETAIL FOR STREET WITH MONOLITHIC CURB ON RADIUS WITH 6± FROM BACK OF CURB TO PROPERTY CORNER (TYPE C)**



**STANDARD WHEELCHAIR RAMP CONSTRUCTION DETAIL FOR STREETS WITH COMBINED CURB & GUTTER WITH ONE FULL SIDEWALK (TYPE D)**



NOTE: HANOVER DETECTABLE WARNING PAVERS (OR AN APPROVED ALTERNATE) SHALL BE USED IN ALL WHEELCHAIR RAMPS. THE 11 3/4" "RED 15" PAVER SHALL BE USED IN ALL APPLICATIONS.  
 HANOVER ARCHITECTURAL PRODUCTS  
 240 BENDER ROAD  
 HANOVER, PA 17331  
 1-717-637-0500  
 www.hanoverpavers.com



Sheet 11-20-2013 4:10:22 PM by BIS  
 Proj: Std: 11-20-2013  
 C:\STANDARD\Standards\Wichita\ Pavement\PA-110\_WCR -Detectable Warn



**WHEELCHAIR RAMP DETAILS WITH DETECTABLE WARNING**

CITY ENGINEER  
**GARY JANZEN, P.E.**

PROJECT NUMBER: 472-85174  
 OCA NUMBER: 707074  
 DATE: 08/2013

CITY ENGINEER'S OFFICE  
 CITY HALL - SEVENTH FLOOR  
 455 NORTH MAIN STREET  
 WICHITA, KANSAS 67202-1620  
 (316) 268-4501

DESIGN: [ ]  
 DRAWN: [ ]  
 SHEET: 9 of 28