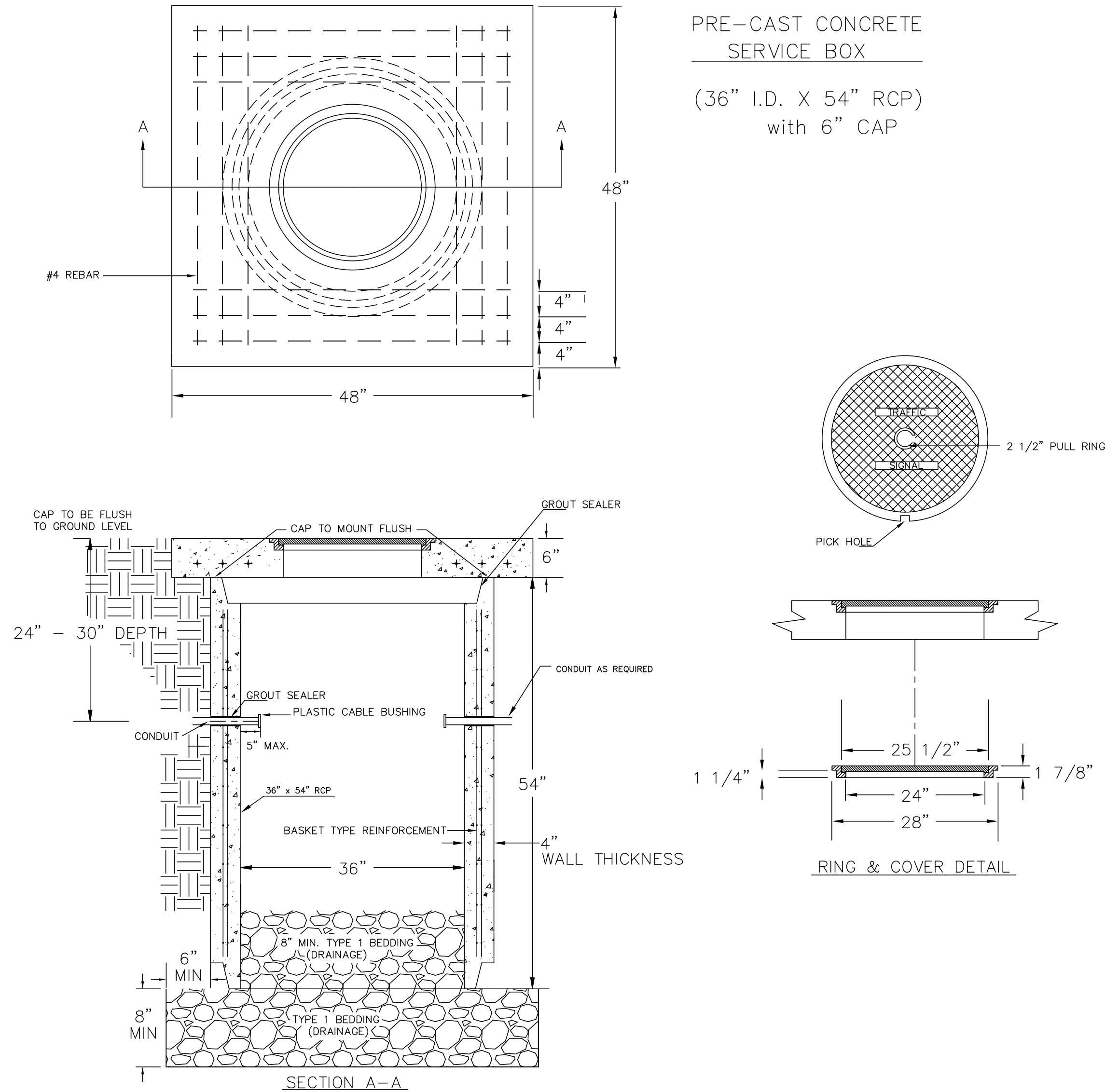
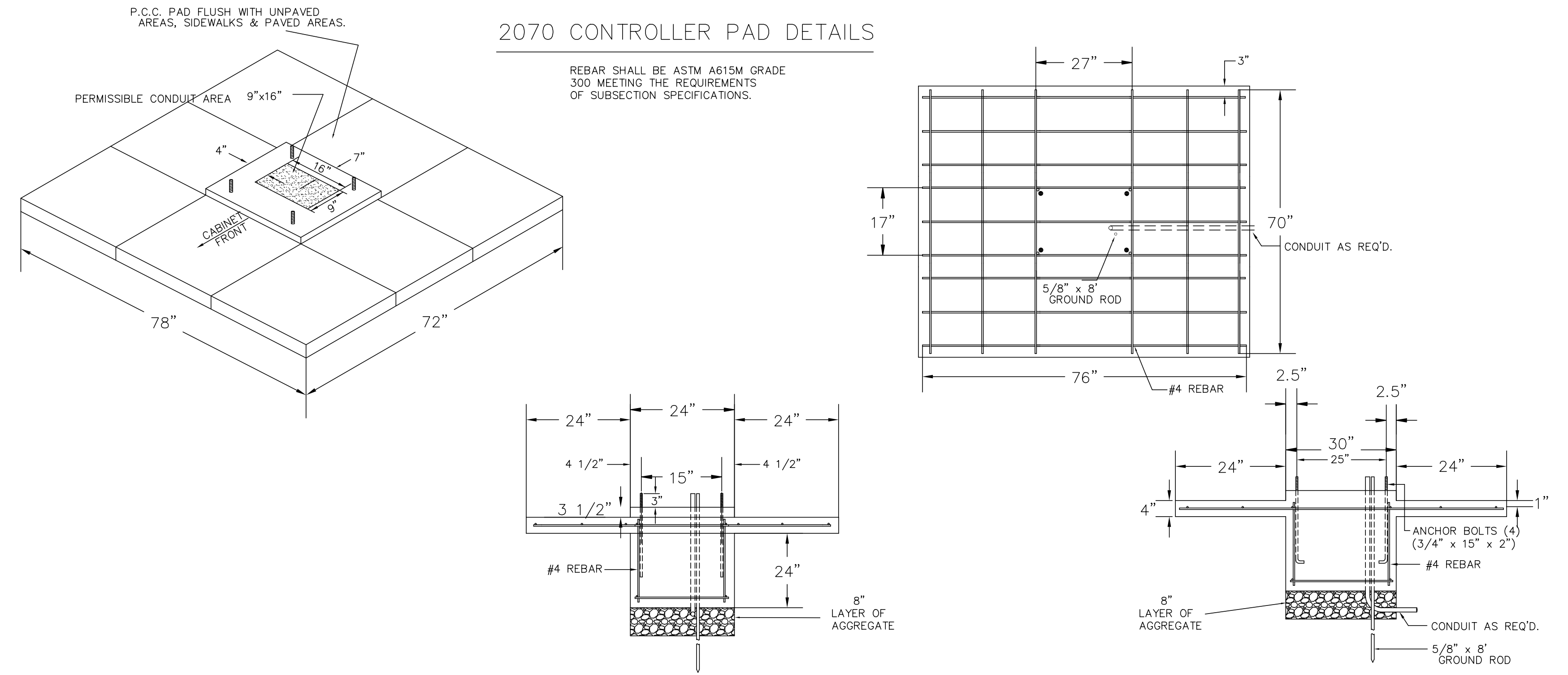


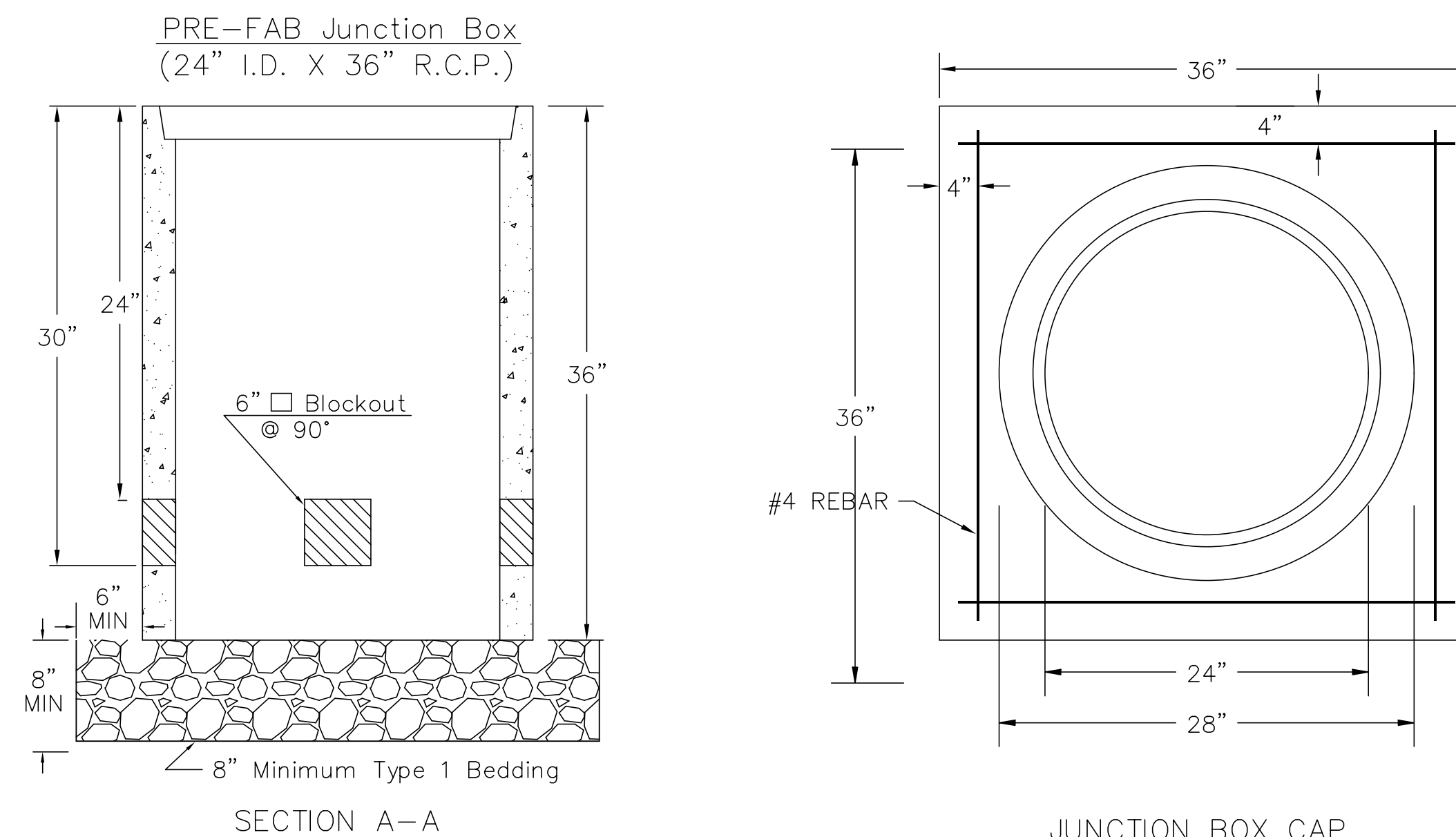
SERVICE BOX CONSTRUCTION/INSTALLATION DETAILS



2070 CONTROLLER PAD DETAILS



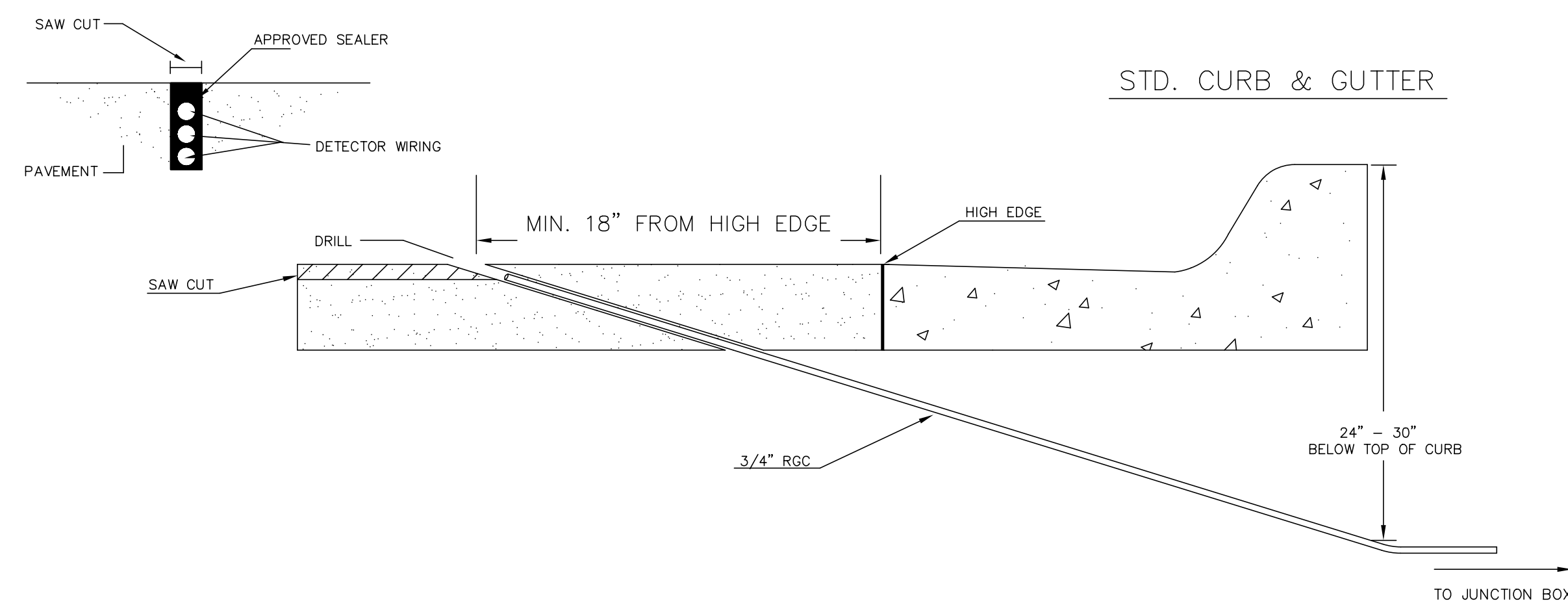
JUNCTION BOX DETAILS



NOTES:

- SERVICE & JUNCTION BOX:**
- CONDUIT CONNECTION TO BE FLUSH TO WITHIN 5" OF INSIDE FACE OF SIDE WALL, CONDUIT TO DRAIN INTO SERVICE BOX.
 - CONDUIT CONNECTIONS TO SERVICE BOX SHALL BE TERMINATED WITH PLASTIC CABLE BUSHING.
 - CONDUIT SHALL BE SEALED WITH APPROVED SEALER AT INSIDE WALL FACE.
 - ALL SERVICE & JUNCTION BOXES TO HAVE 8" OF CRUSHED ROCK.
- TRENCHING:**
- DEPTH TO BE 30" MINIMUM WITH ROCK & STUBBLE FREE BACKFILL TO SERVE AS BEDDING MATERIAL. MAINTAIN MINIMUM CONDUIT DEPTH IN TRENCH.
 - BACKFILL TO BE COMPACTED IN 6" LOOSE LIFTS BY HAND OR MECHANICAL TAMPING TO A 95% STANDARD DENSITY.
- CONDUIT:**
- SLOPE CONDUIT TO DRAIN AS DIRECTED BY THE ENGINEER.
 - 3" RIGID STEEL CONDUIT BTWN. SERVICE BOXES.
2" " " BTWN. SERVICE BOX AND POLE.
1 1/4" " " BTWN. SERVICE & JUNCTION BOXES.
3/4" " " BTWN. JUNCTION BOXES.
3/4" " " BTWN. JUNCTION BOX & DETECTOR LOOP SAW CUT

CONDUIT/DETECTOR WIRE INSTALLATION DETAILS



** SEE SERVICE BOX INSTALLATION FOR RING & COVER DETAILS.

REVISED 12/2013

CITY OF WICHITA
PUBLIC WORKS & UTILITIES ENGINEERING DIVISION

SERVICE/JUNCTION BOX, CONTROLLER PAD CONSTRUCTION/INSTALLATION		
TRAFFIC ENGINEER BRIAN COON, P.E.		
PROJECT NUMBER 472-85174	OCA NUMBER 707074	DATE
CITY ENGINEER'S OFFICE CITY HALL - SEVENTH FLOOR 455 NORTH MAIN STREET WICHITA, KANSAS 67202-1620 (316) 268-4501		SHEET 19 of 28

Sheet 12 of 16 - 2013 85905 AM by BFE
 Plan Scale 1" = 8'-0" 10/27/13 10:27:50 AM by BFE
 CITY STANDARD Standards Wichita Traffic/109 Service Box and Controller Pad