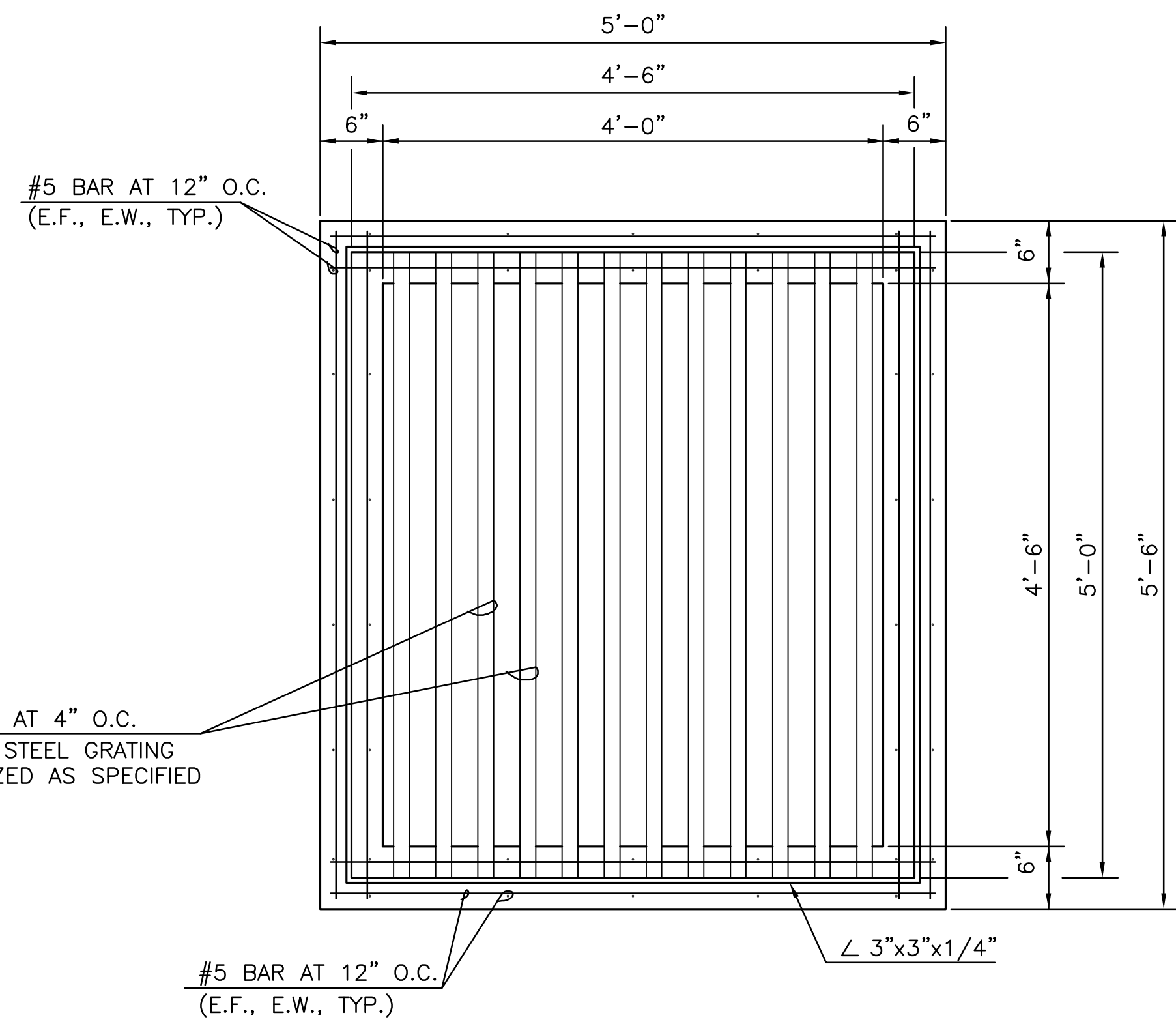
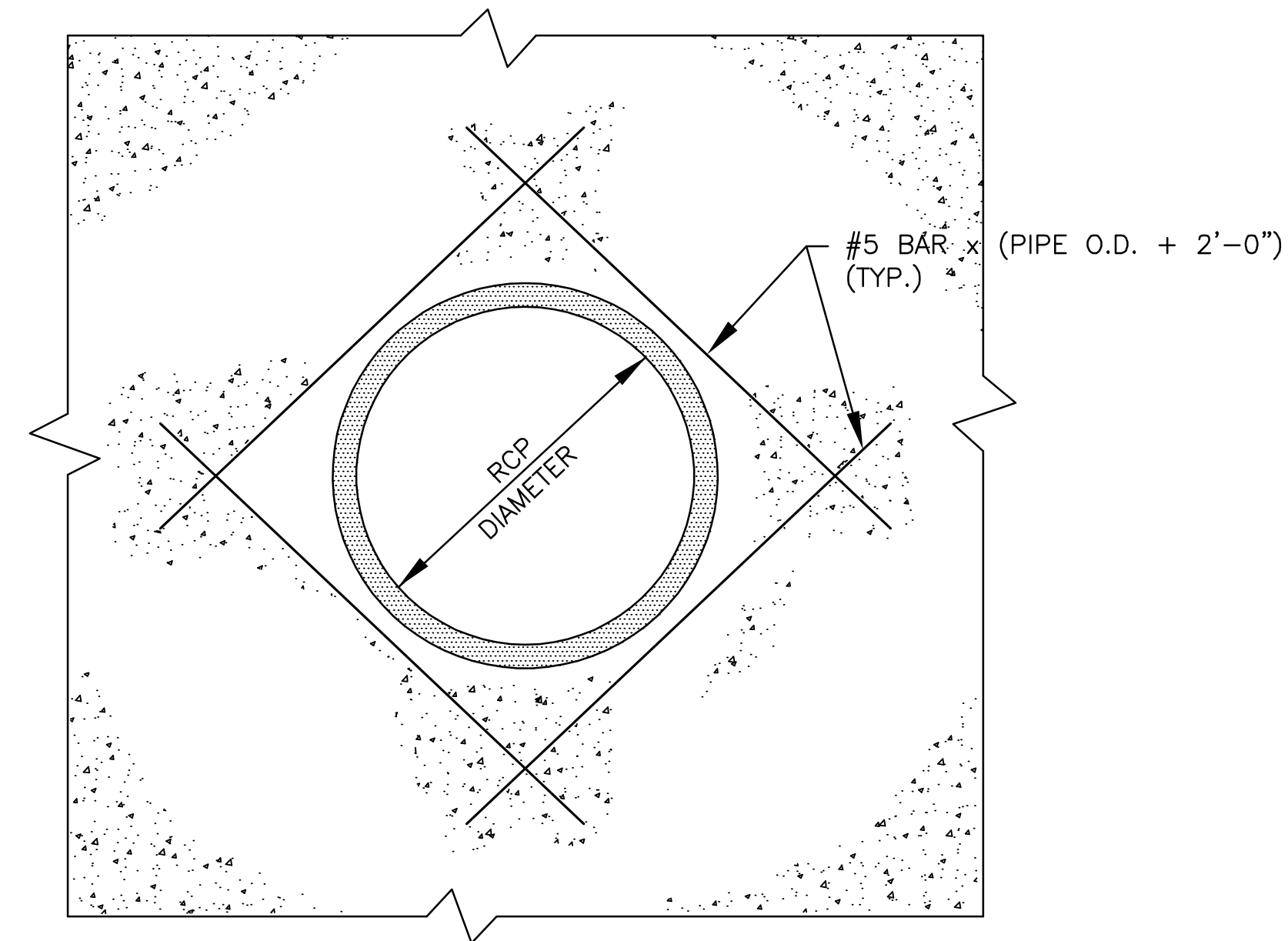


STORM WATER SEWER PLAN FOR
GREENWICH BUSINESS CENTER ADDITION
DETENTION



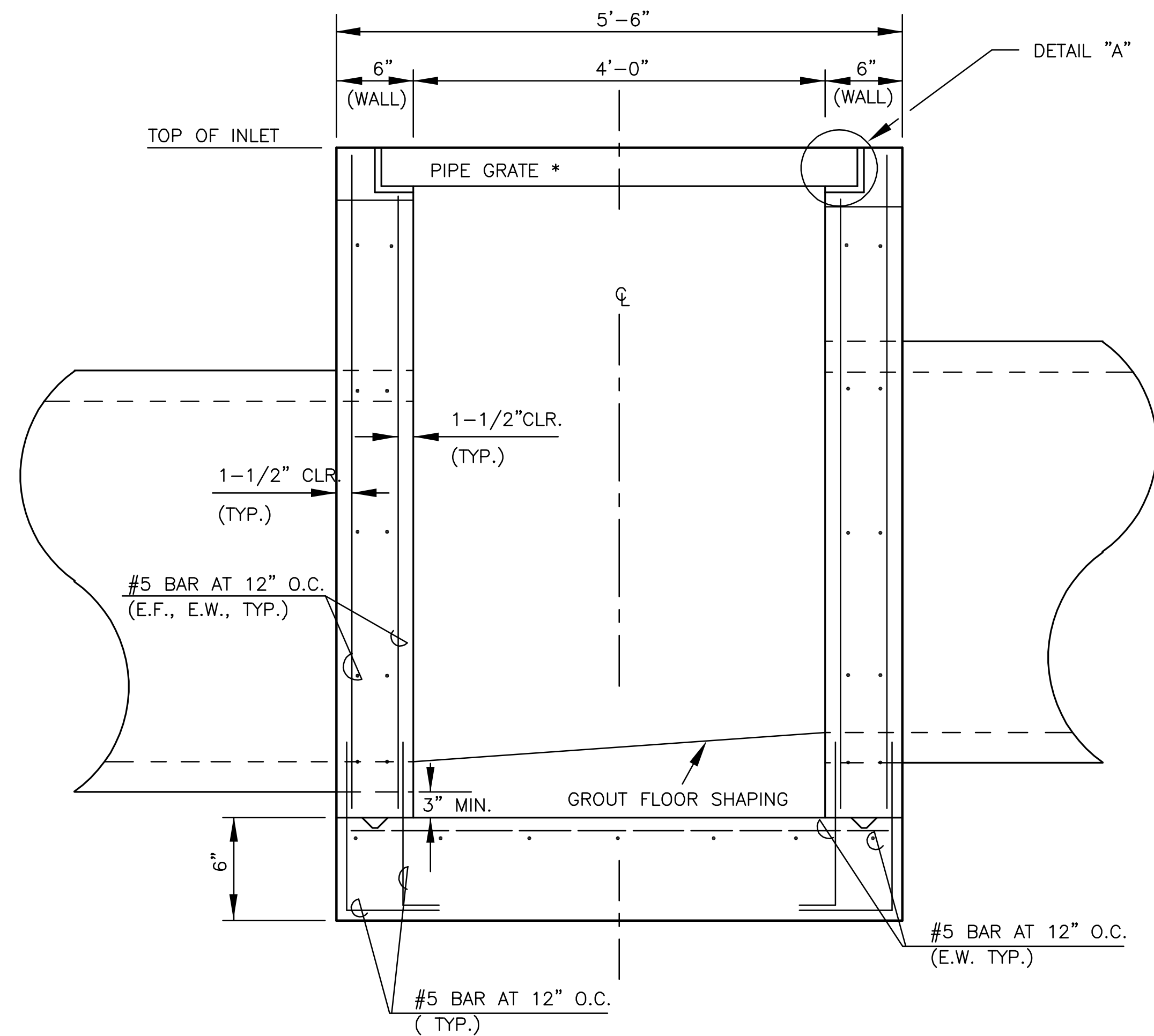
PLAN VIEW

CONTRACTOR MAY SUBSTITUTE 8" BRICK WALL FOR 6" REINFORCED CONCRETE WALL.



NOTE:
CUT REINFORCING AS REQUIRED TO CLEAR RCP.

TYPICAL REINFORCING AT PIPE

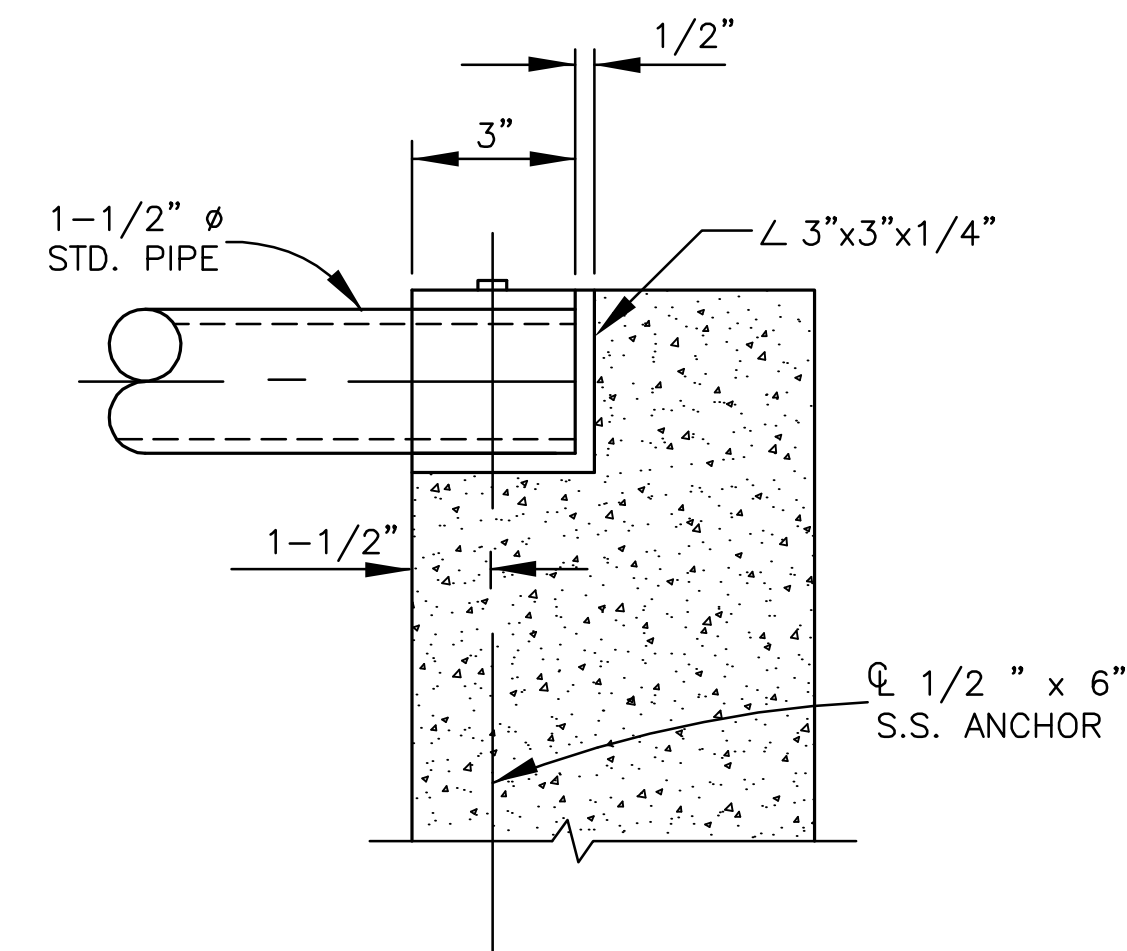


ELEVATION VIEW

REINFORCED CONCRETE AREA INLET

MATERIAL SPEC'S

- MORTAR - TYPE "M"
- BRICK - ASTM C62 GRADE MW
- STEEL - ASTM A36 OR EQUIVALENT
- CONCRETE - $F'_c = 4,000$ PSI MINIMUM WITH 6 SACKS OF CEMENT PER CUBIC YARD MINIMUM.



NOTE:
FABRICATED STEEL GRATING SHALL BE GALVANIZED AS SPECIFIED BY ASTM A-123.

DETAIL "A"

ORIFICE EQUATION				
$Q = C * A * \sqrt{2gh}$				
h (DEPTH)	2g	C	A	Q
0.5	64.4	0.7	8.625	34.3 cfs
1.0	64.4	0.6	8.625	41.5 cfs
2.0	64.4	0.6	8.625	58.7 cfs
2.0	64.4	0.7	8.625	68.5 cfs
3.0	64.4	0.6	8.625	71.9 cfs
4.0	64.4	0.6	8.625	83.1 cfs
5.0	64.4	0.6	8.625	92.9 cfs
6.0	64.4	0.6	8.625	101.7 cfs
7.0	64.4	0.6	8.625	109.9 cfs
8.0	64.4	0.6	8.625	117.5 cfs

©2014 MKEC Engineering All Rights Reserved www.mkec.com These drawings and their contents, including, but not limited to, all concepts, designs, & ideas are the exclusive property of MKEC Engineering (MKEC), and may not be used or reproduced in any way without the express consent of MKEC.

AREA INLET DETAILS

PROJECT NO.	468-84745	
DATE	AUGUST 2014	
SCALE	AS SHOWN	
DESIGNED	DRAWN	CHECKED
SLF	KKL	MAB
NO.	REVISION	DATE

SHEET NO.

