

NOTES:

- FILTER COURSE, GROUDED TOE WALL AND CLAY LINER SUBSIDIARY TO "RIP RAP, LIGHT STONE".
- TIES ARE SUBSIDIARY TO STORM SEWER PIPE.
- TIE RODS SHALL BE GALVANIZED OR POWER WASHED AND DIPPED IN AN APPROVED ZINC RICH EPOXY PRIME PAINT AFTER FABRICATION.
- RIP-RAP DIMENSIONS AT PIPE INLETS AND OUTLETS MAY BE ADJUSTED TO FIT ACTUAL FIELD CONDITIONS IF APPROVED BY THE ENGINEER.
- TIES TO BE USED ONLY TO HOLD PIPE SECTIONS TOGETHER, NOT FOR PULLING SECTIONS TIGHT.
- CONNECT END SECTION AND PIPE SECTIONS WITH PIPE TIES A MINIMUM OF 2 JOINTS FROM THE END SECTION.

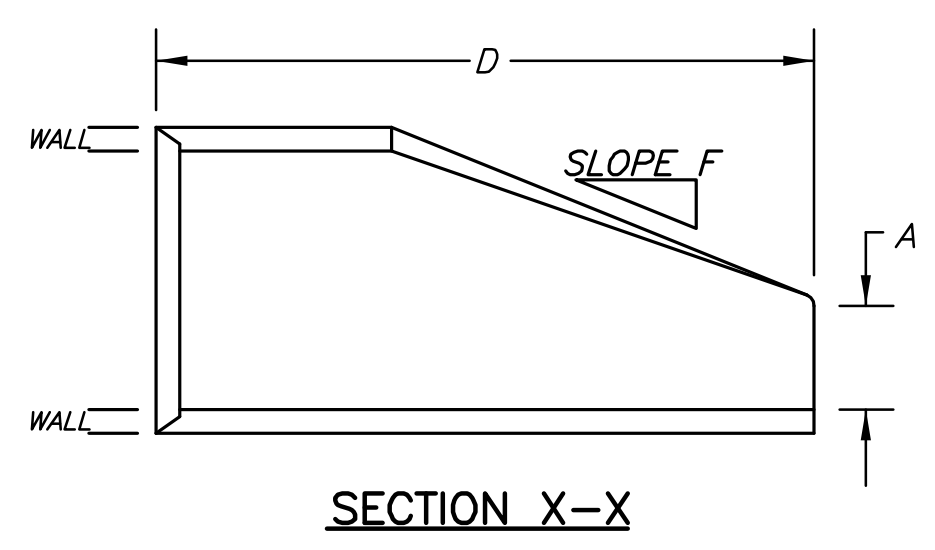
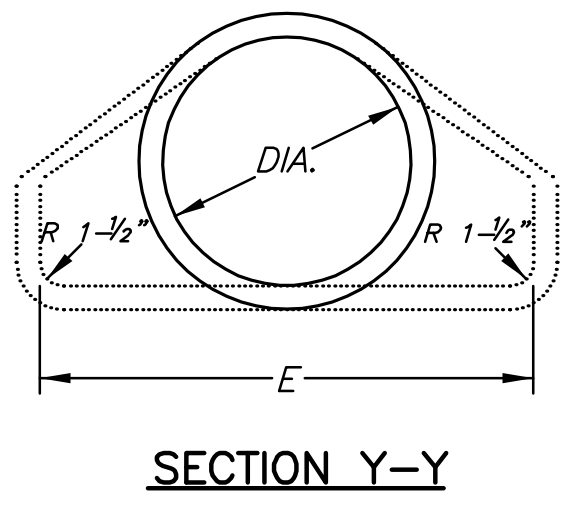
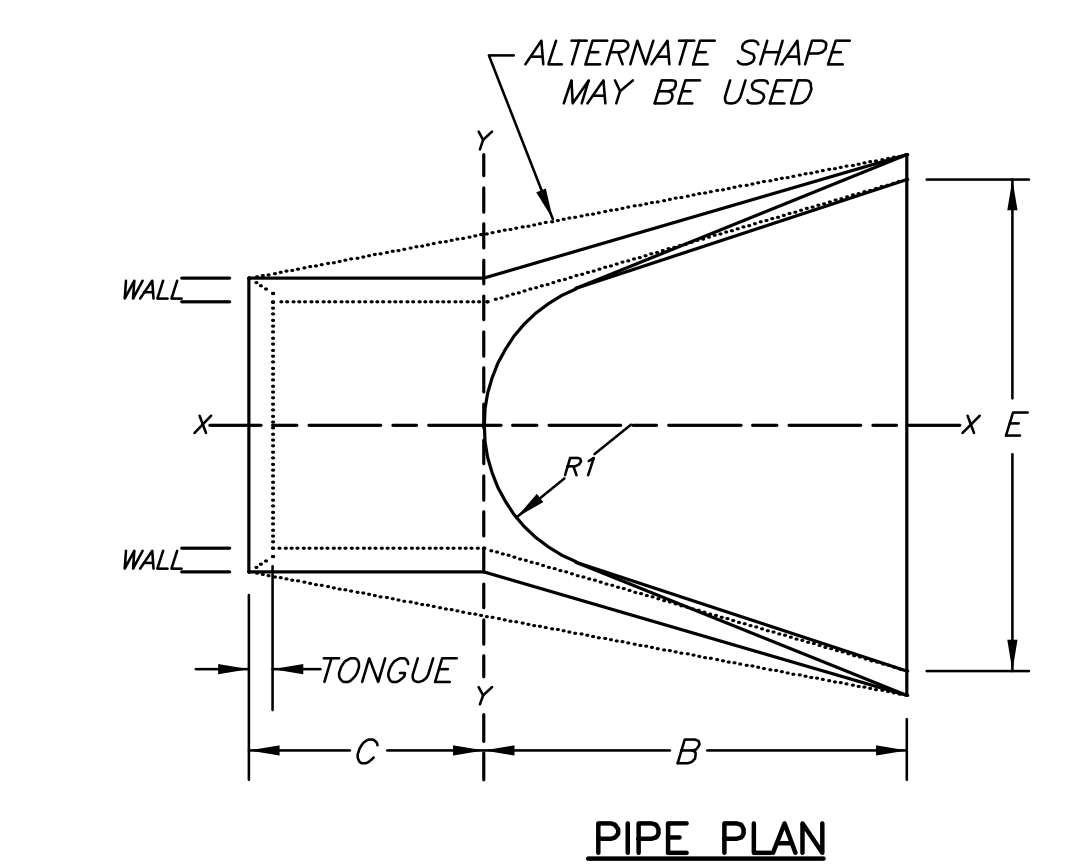
*RIP-RAP SHALL BE NATURAL STONE.

**CLAY LINER: USE HEAVIEST ON-SITE SOILS (PI>25), MOISTURE CONDITION TO W/N 5% OF OPTIMUM & COMPACT TO 95% STD. DENSITY

DIAM.	A	B	C	D	E	F	R1	TONGUE	WALL
12"	4"	2' 0"	4' 0-7/8"	6' 0-7/8"	2' 0"	3:1	9"	1-1/2"	2"
15"	6"	2' 3"	3' 10"	6' 1"	2' 6"	3:1	11"	2"	2 1/4"
18"	9"	2' 3"	3' 10"	6' 1"	3' 0"	3:1	12"	2-1/2"	2 1/2"
24"	9-1/2"	3' 7-1/2"	2' 6"	6' 1-1/2"	4' 0"	3:1	14"	2-1/2"	3"
30"	1' 0"	4' 6"	1' 7-3/4"	6' 1-3/4"	5' 0"	3:1	15"	3"	3-1/2"
36"	1' 3"	5' 3"	1' 10-3/4"	8' 1-3/4"	6' 0"	3:1	20"	3-1/2"	4"
42"	1' 9"	5' 3"	2'-11"	8' 2"	6' 6"	3:1	22"	3-3/4"	4-1/2"
48"	2' 0"	6' 0"	2' 2"	8' 2"	7' 0"	3:1	22"	4-1/4"	5"
54"	2' 3"	5' 5"	2' 11"	8' 4"	7' 6"	3:1	24"	4-3/4"	5-1/2"
60"	2' 6"	5' 0"	3' 3"	8' 3"	8' 0"	2.4:1	24"	5"	6"
66"	2' 0"	6' 6"	1' 9"	8' 3"	8' 6"	2:1	24"	5-1/2"	7"
72"	2' 0"	6' 6"	1' 9"	8' 3"	9' 0"	2:1	24"	6"	7-1/2"

END AREA SQ.FT.	ROUND EQUIV.	SPAN	RISE	WALL	A	B	C	D	E	R1	R2	R3	R4
3.3	24"	30"	19"	3 1/4"	8-1/2"	3' 3"	2' 9"	6' 0"	4' 0"	8-1/4"	26-1/4"	3"	7"
4.1	27"	34"	22"	3 1/2"	9"	3' 10"	2' 2"	6' 0"	4' 6"	9-1/4"	29-17/32"	3"	8"
5.1	30"	38"	24"	3 3/4"	9-1/2"	4' 6"	1' 6"	6' 0"	5' 0"	10-1/4"	32-3/4"	3"	9"
6.3	33"	42"	27"	3 3/4"	10-3/8"	4' 9"	1' 3"	6' 0"	5' 6"	11-7/16"	36-3/16"	3"	10-1/2"
7.4	36"	45"	29"	4 1/2"	11 1/4"	5' 0"	3' 0"	8' 0"	6' 0"	12-1/4"	39-1/4"	3"	12"

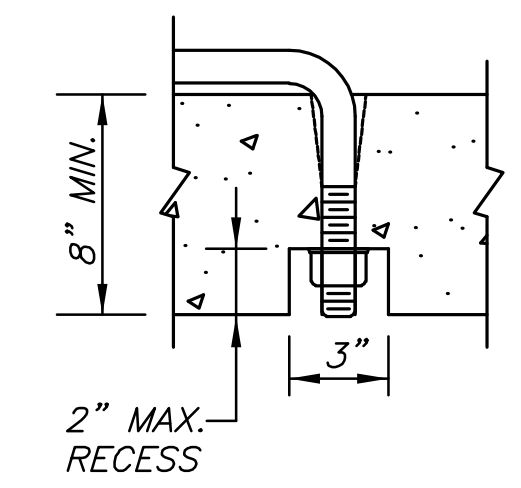
TONGUE LENGTHS BASED ON QUINN STANDARD



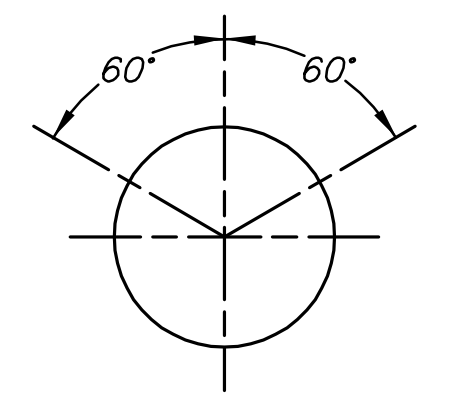
HOLES SHALL BE CAST OR DRILLED 16" FROM CENTERLINE OF JOINTS FOR BOX CULVERTS, AS SHOWN ABOVE, UNLESS FORMS ARE SET UP FOR 16" SPACING FROM OUTSIDE OF JOINT.

PIPE SIZE (INCHES)	ROD THREAD DIA.	ROD THREAD DIA.	EXTRA STRONG PIPE INSIDE DIA.
12 - 27	5/8"	5/8"	3/4"
30 - 66	3/4"	3/4"	1"
72 - 108	1"	1"	1-1/4"

PIPE SIZE LISTED IS INSIDE DIA. OF ROUND PIPE OR EQUIVALENT DIA. OF PIPE ARCH.



OPTIONAL RECESS DETAIL (SEE NOTE 2)



ROUND PIPE

©2014 MKEC Engineering All Rights Reserved www.mkec.com
These drawings and their contents, including, but not limited to, all concepts, designs, & ideas are the exclusive property of MKEC Engineering (MKEC), and may not be used or reproduced in any way without the express consent of MKEC.

PROJECT NO.		468-84745	
DATE		AUGUST 2014	
SCALE		AS SHOWN	
DESIGNED	DRAWN	CHECKED	
SLF	KKL	MAB	
NO.	REVISION	DATE	
SHEET NO.			