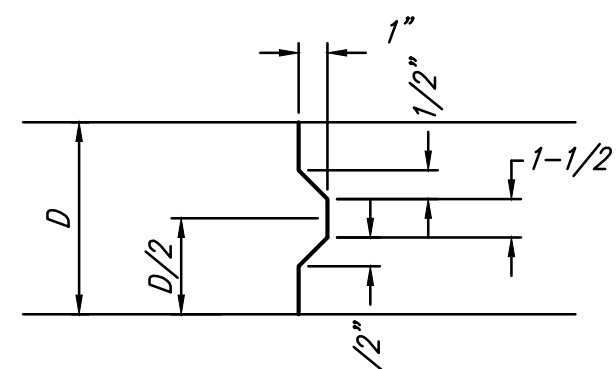
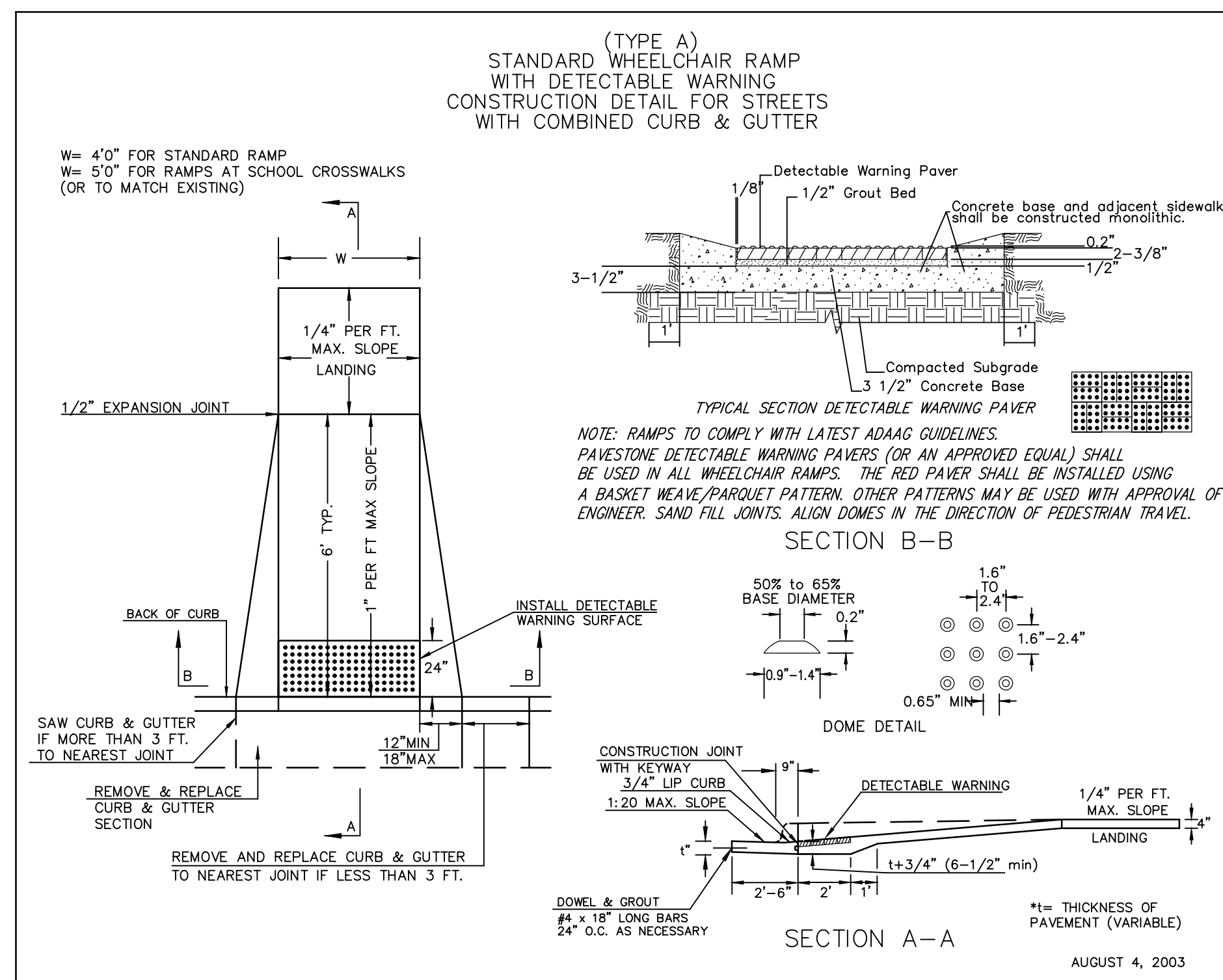


**EXPANSION JOINT**

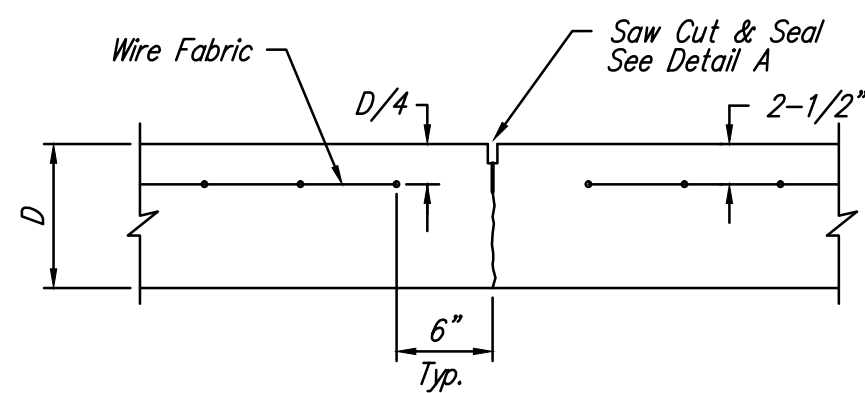
NOTE: Extra Thickness to be Subsidiary to Price of Square Yards Pavement



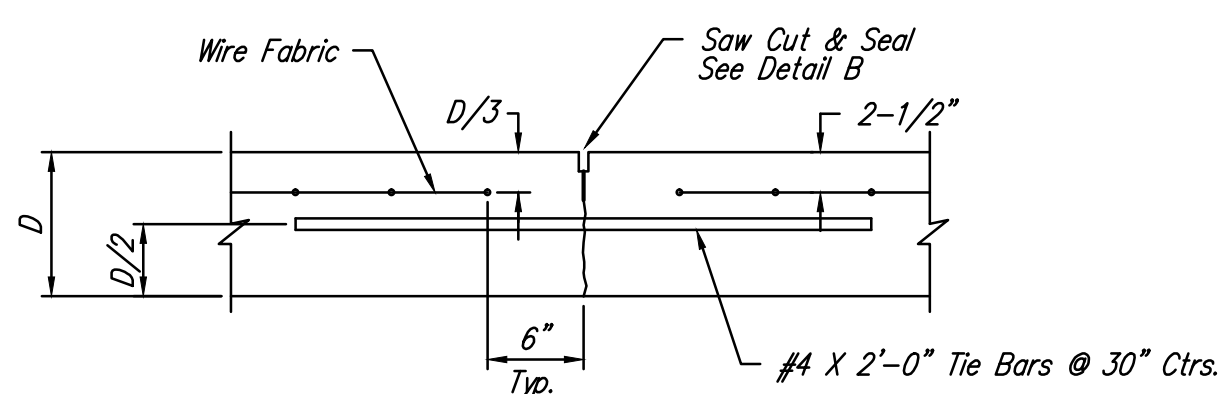
**KEYWAY DETAIL**



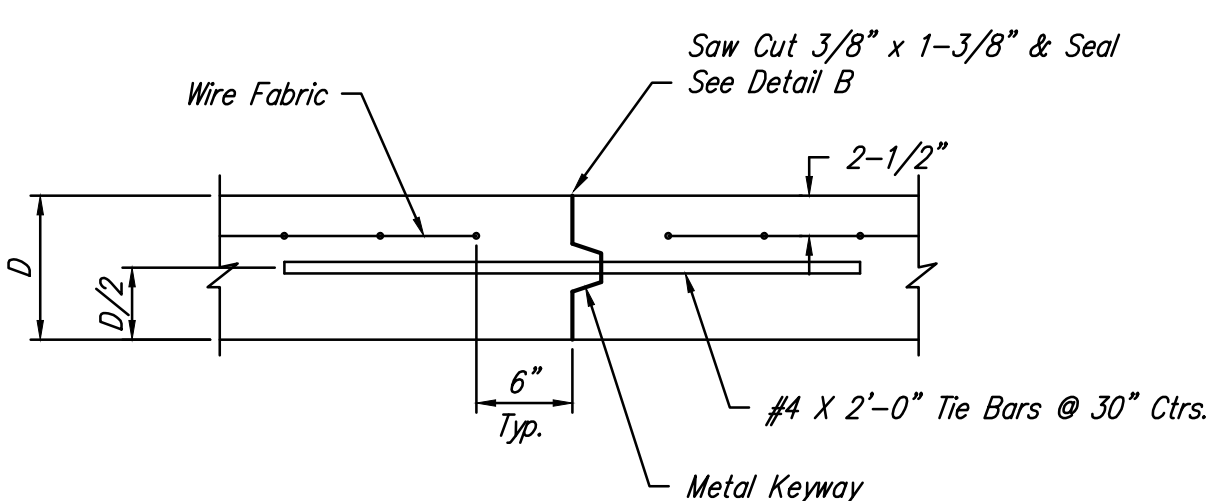
**WHEELCHAIR RAMP DETAIL**



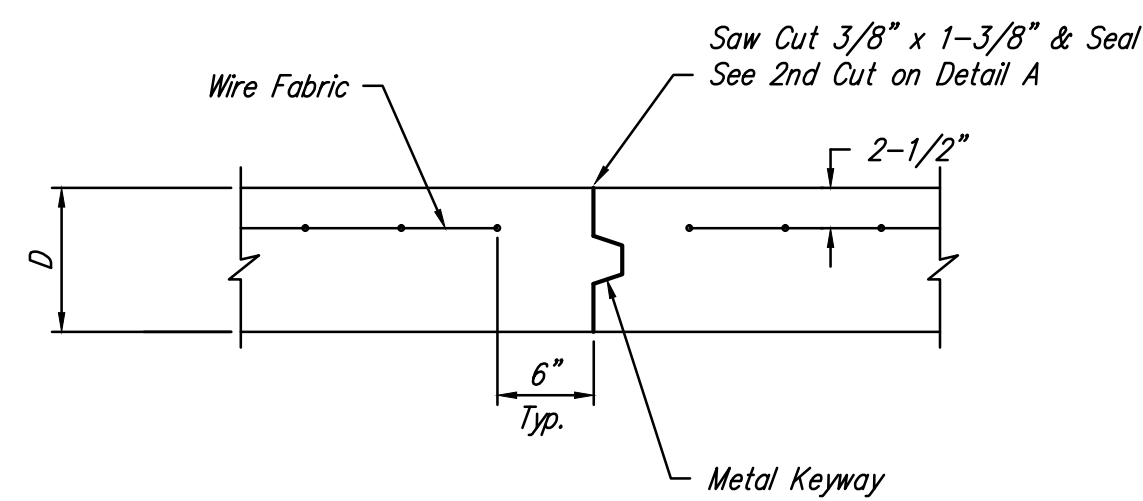
**CONTRACTION JOINT DETAIL (C.J.)**



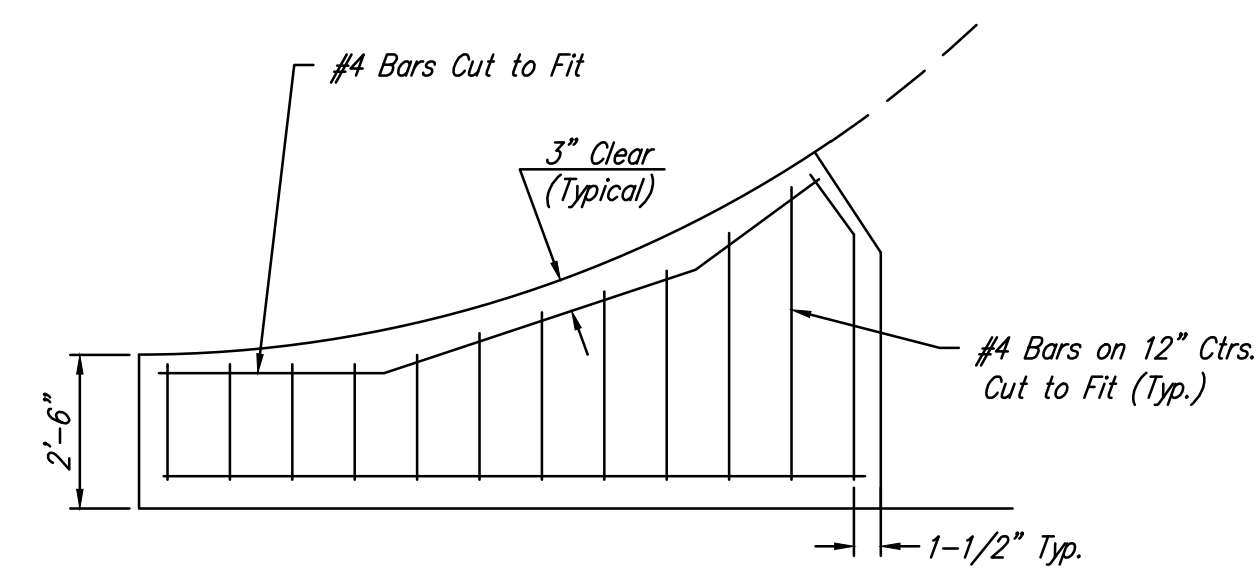
**LONGITUDINAL JOINT DETAIL (L.J.)**



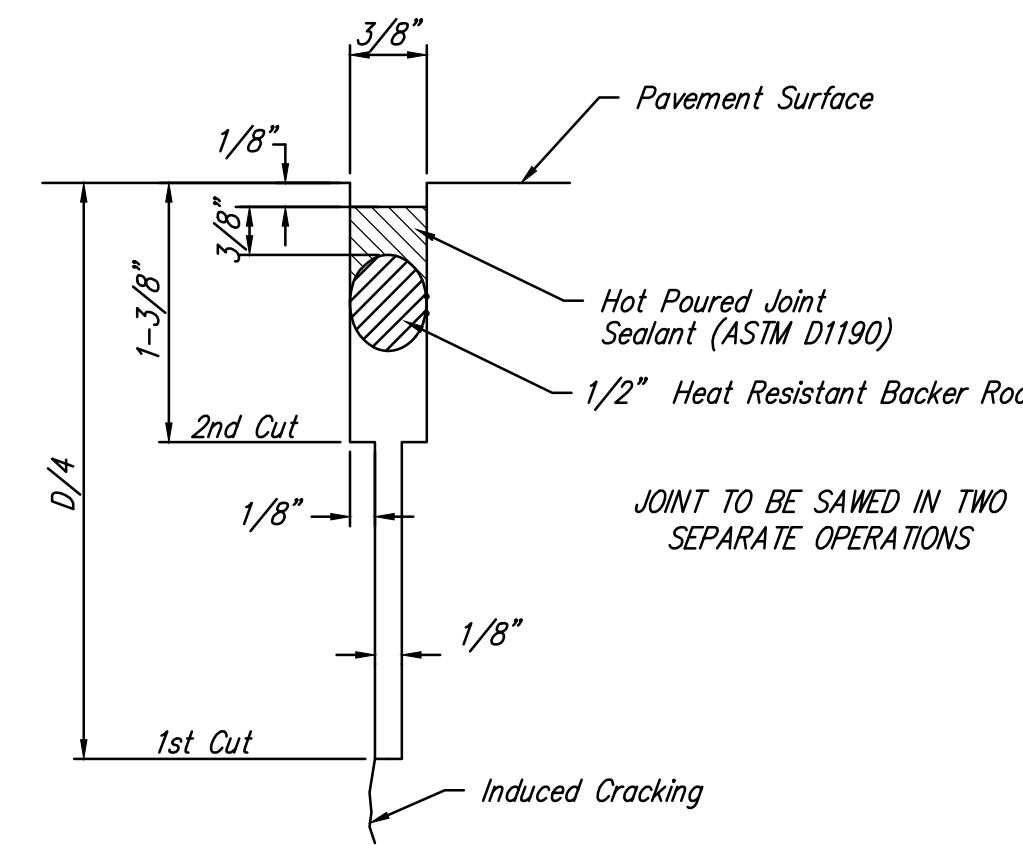
**OPTIONAL LONGITUDINAL JOINT DETAIL (L.J.) (CONSTRUCTION JOINT)**



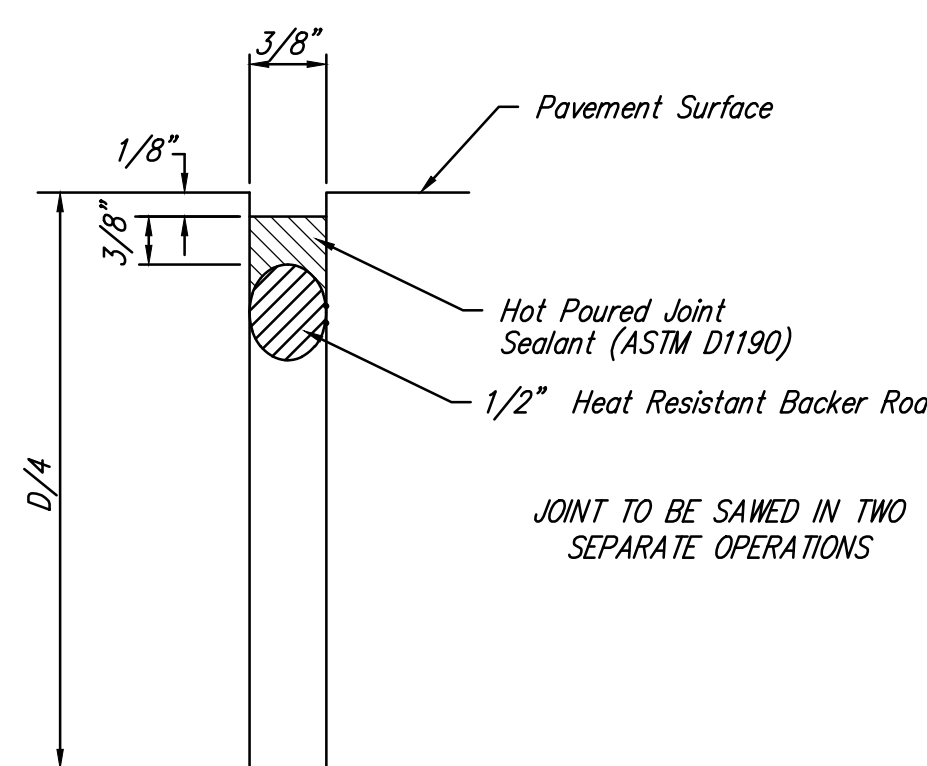
**OPTIONAL CONTRACTION JOINT (CONSTRUCTION JOINT)**



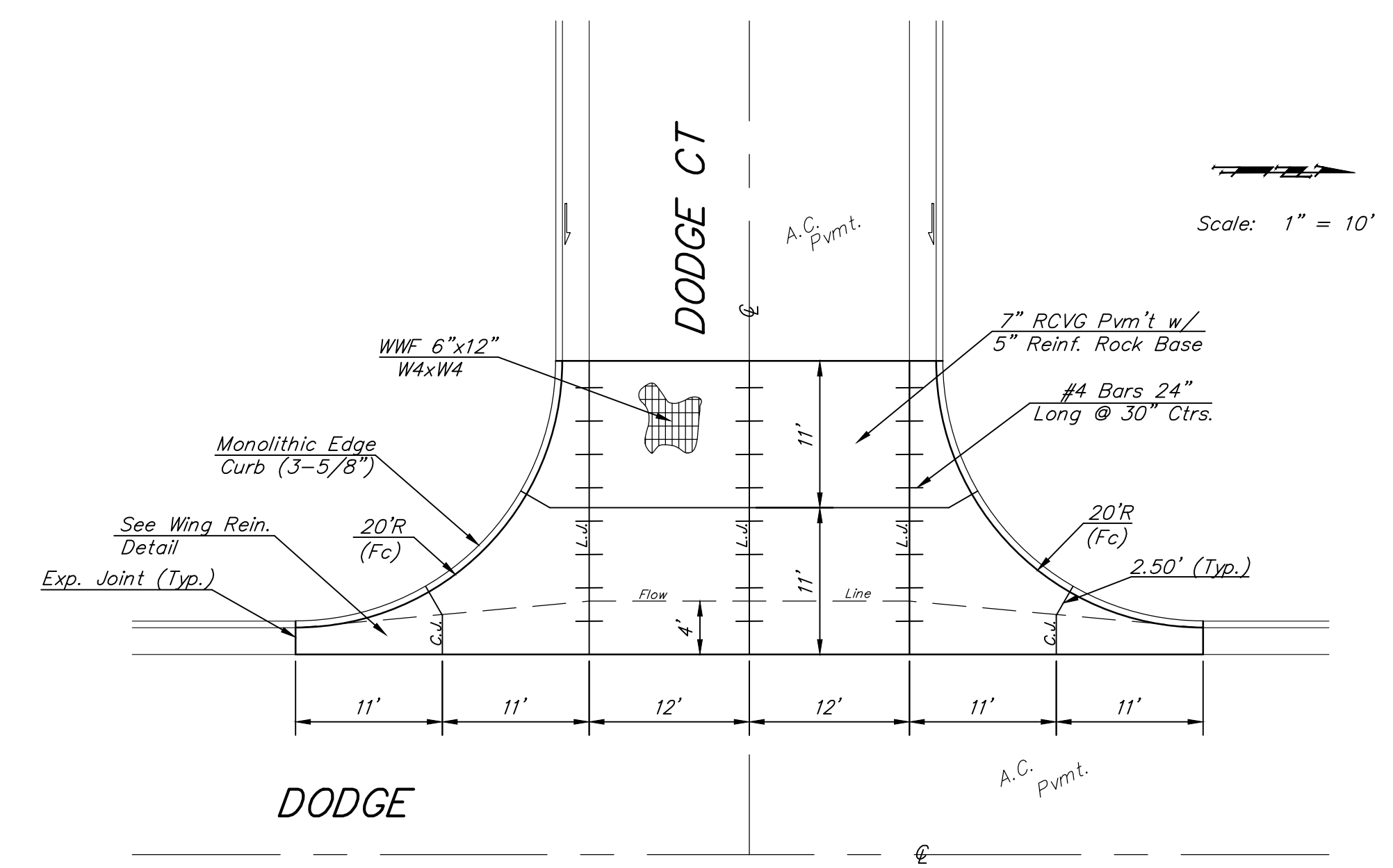
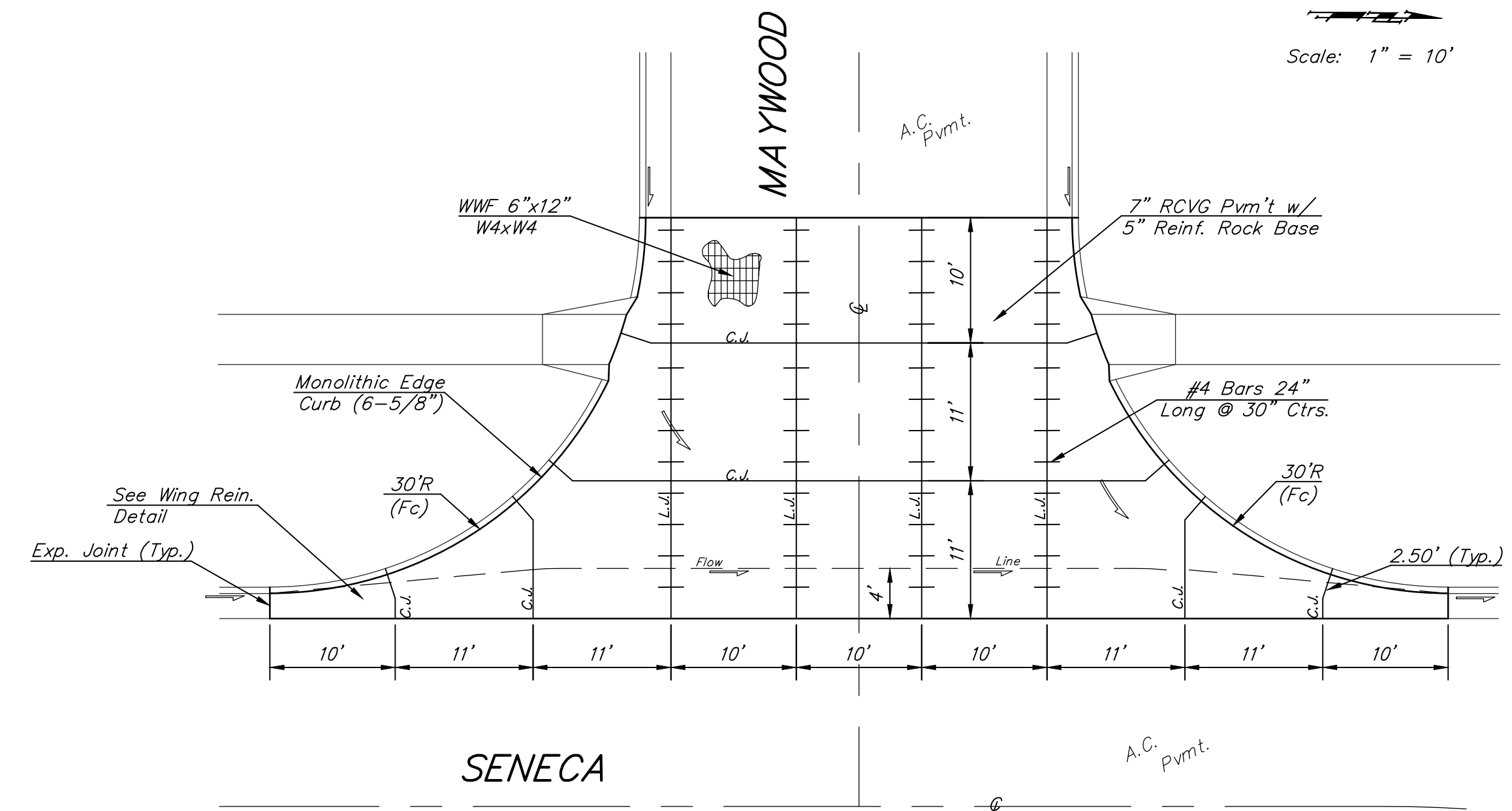
**WING REINFORCING DETAIL**



**SAW JOINT DETAIL "A"**



**SAW JOINT DETAIL "B"**



NOTE: 6" X 12" W4XW4 wire Fabric reinforcing shall be placed so that the wires with the 6" spacing will run parallel with the longitudinal joints.

	SOUTHERN SHORES ADDITION	
	VALLEY GUTTER DETAILS	
Baughman Company, P.A. 315 Ellis St. Wichita, KS 67211 P 316-262-7771 F 316-262-0149 ENGINEERING   SURVEYING   PLANNING   LANDSCAPE ARCHITECTURE		
PROJECT NUMBER 472-85172	DESIGN AEG	DRAWN DMV
REVISIONS:	APPROVED	DATE 8/14
	SCALE 1" = 20'	SHEET 6 OF 29