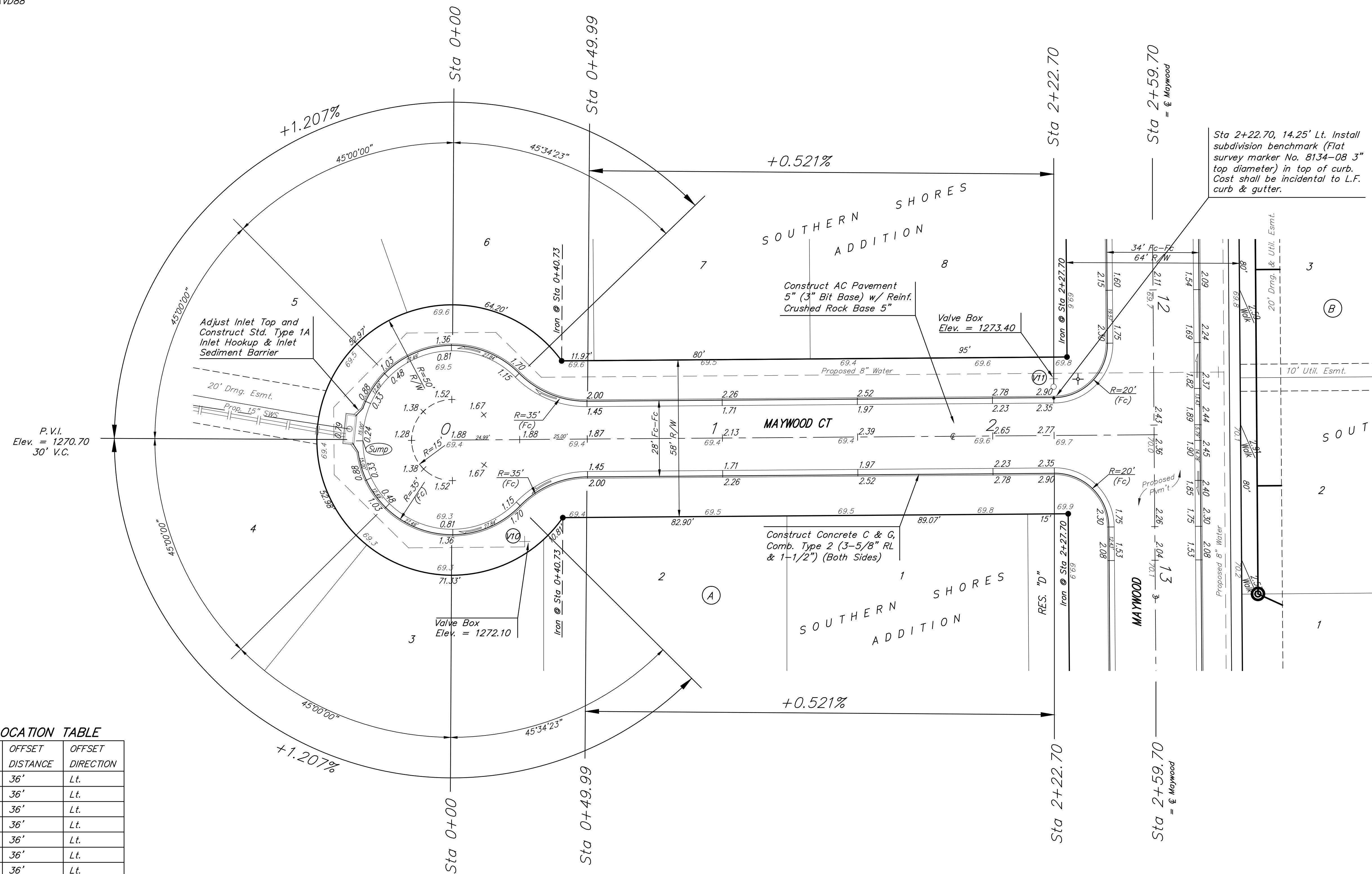
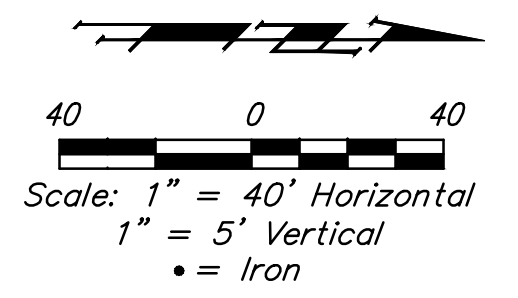


BENCHMARKS:

Chiseled Square Cut at Deflection Corner on Back of Walk, 84.7' South of the Northeast Corner of Lot 24, Block A, and 26.1' East-Northeast of the Most Northerly Deflection Corner in the East Line of Lot 24, Block A, Southern Shores Addition. Elevation = 1270.20 NAVD88



Sta 2+22.70, 14.25' Lt. Install subdivision benchmark (Flat survey marker No. 8134-08 3" top diameter) in top of curb. Cost shall be incidental to L.F. curb & gutter.

Construct AC Pavement 5" (3" Bit Base) w/ Reinf. Crushed Rock Base 5"

Construct Concrete C & G, Comp. Type 2 (3-5/8" RL & 1-1/2") (Both Sides)

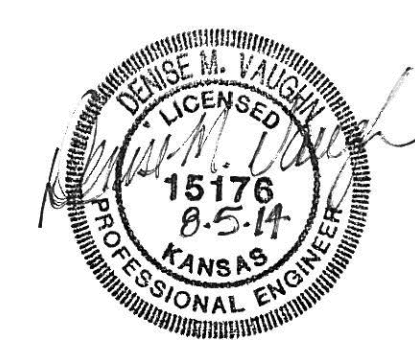
Adjust Inlet Top and Construct Std. Type 1A Inlet Hookup & Inlet Sediment Barrier

NOTE: ROLL TYPE CURB & GUTTER TO BE CONSTRUCTED ON THE PAVEMENT SHOWN ON THIS SHEET. TOP OF CURB ELEVATIONS ARE GIVEN FOR FULL HEIGHT CURB. DEDUCT 0.25' FROM FULL HEIGHT CURB WHEN CONSTRUCTING ROLL TYPE CURB.

WATER VALVE LOCATION TABLE

VALVE NUMBER	BASELINE STATION	OFFSET DISTANCE	OFFSET DIRECTION
V1	0+59.70	36'	Lt.
V2	0+80.30	36'	Lt.
V3	5+47.83	36'	Lt.
V4	5+50.88	36'	Lt.
V5	5+92.30	36'	Lt.
V6	12+30.57	36'	Lt.
V7	14+26.58	36'	Lt.
V8	1+32.72	40'	Rt.
V9	1+32.72	40'	Rt.
V10	0+26.54	40'	Rt.
V11	2+22.70	21'	Lt.

Paving contractor will be responsible to operate all water valves on the project, in the presence of the inspector, to ensure accessibility to the valves, and that all valves are left in the "ON" position when the project is completed.



	SOUTHERN SHORES ADDITION	
	MAYWOOD CT	
PAVING IMPROVEMENTS		
<small>Baughman Company, P.A. 315 Ellis St., Wichita, KS 67211 P 316-262-2271 F 316-262-0149 ENGINEERING SURVEYING PLANNING LANDSCAPE ARCHITECTURE</small>		
PROJECT NUMBER 472-85172	DESIGN AEG	DRAWN TMS
REVISIONS:	APPROVED	DATE 08/14
	SCALE Noted	SHEET
	13 OF 29	