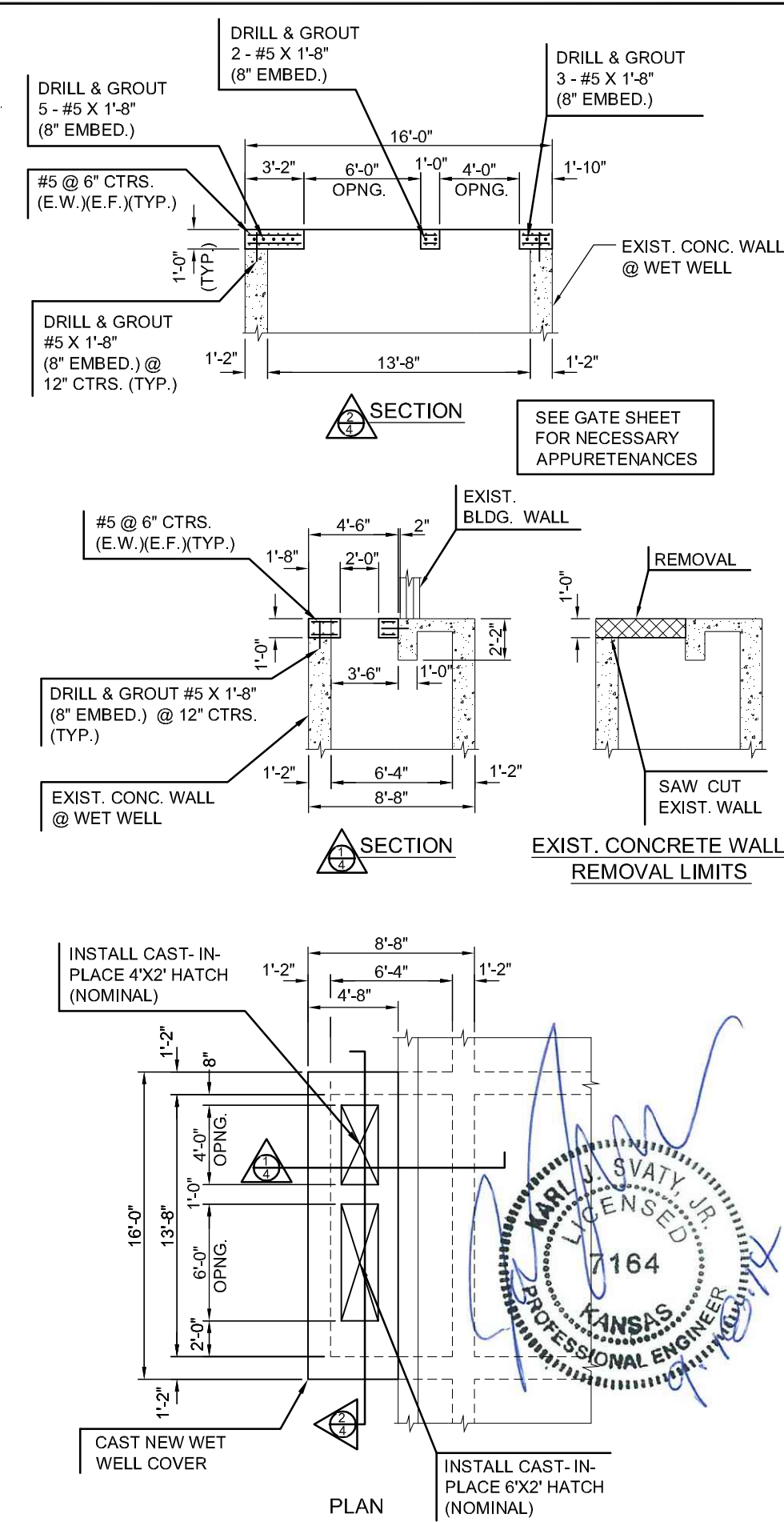


OPERATING FLOOR PLAN



INFLUENT WET WELL REHABILITATION / COVER



CITY OF WICHITA, KANSAS
WASTEWATER TREATMENT PLANT #2
 HEADWORKS IMPROVEMENTS

©2014 MKEC Engineering All Rights Reserved
 These drawings and their contents, including, but not limited to, all concepts, designs, & ideas are the exclusive property of MKEC Engineering (MKEC), and may not be used or reproduced in any way without the express consent of MKEC.

RAW WATER PUMP STATION PLAN

PROJECT NO.	1401010275	
DATE	07/31/14	
SCALE	N.T.S.	
DESIGNED	DRAWN	CHECKED
KJS	DPG	KJS
ISSUED FOR CONSTRUCTION	08/18/14	
NO.	REVISION	DATE