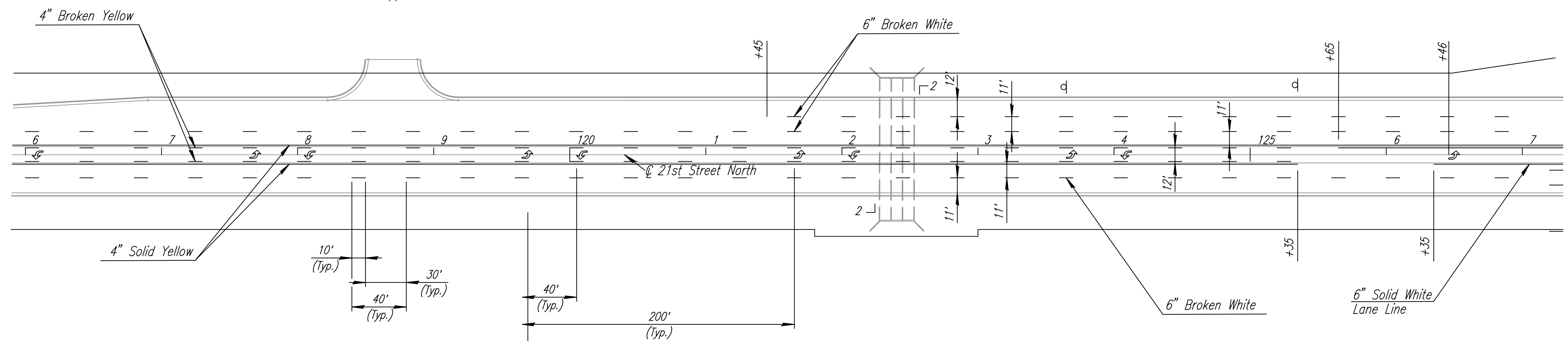


**TYPICAL SECTION**

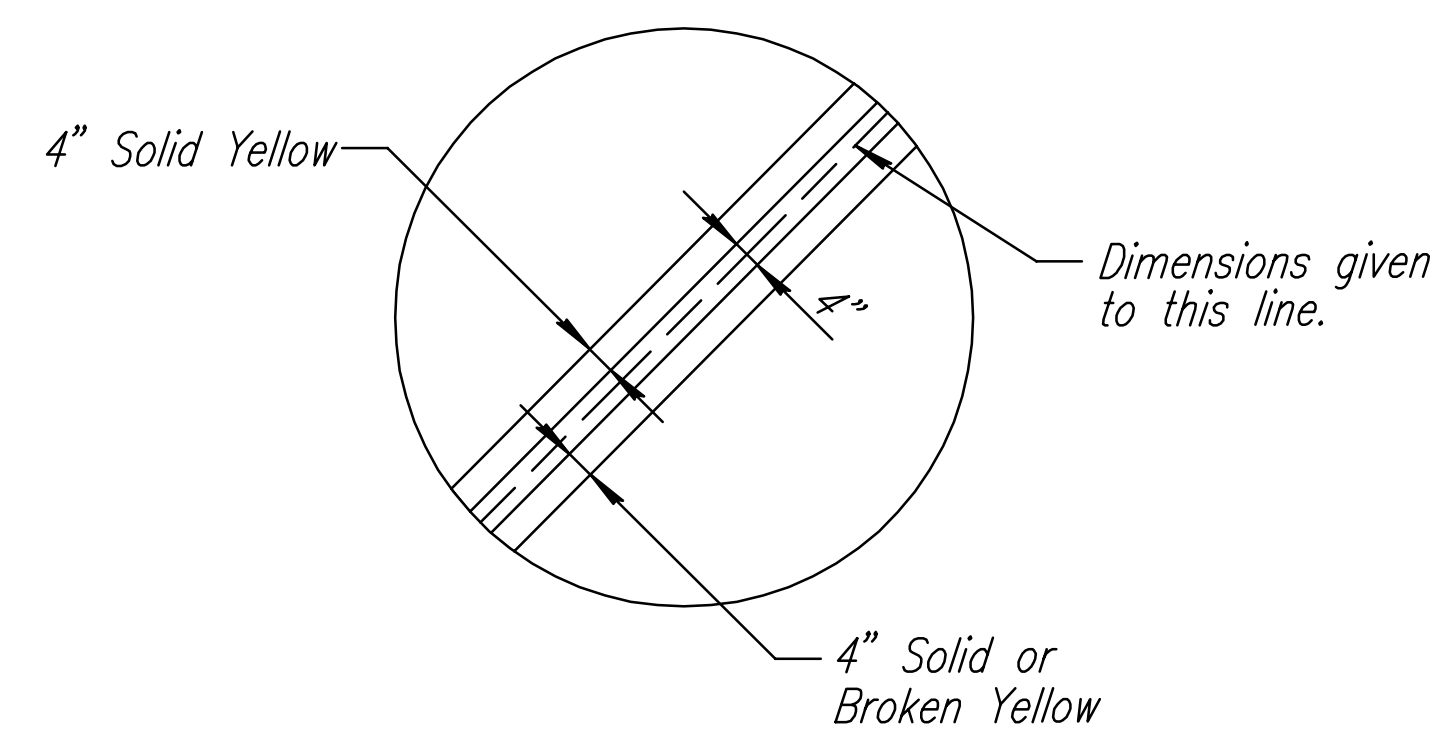
Sta. 122+50.00 to Sta. 122+94.00

Note: Crushed Rock Base to extend to top of R.C.B. where applicable.

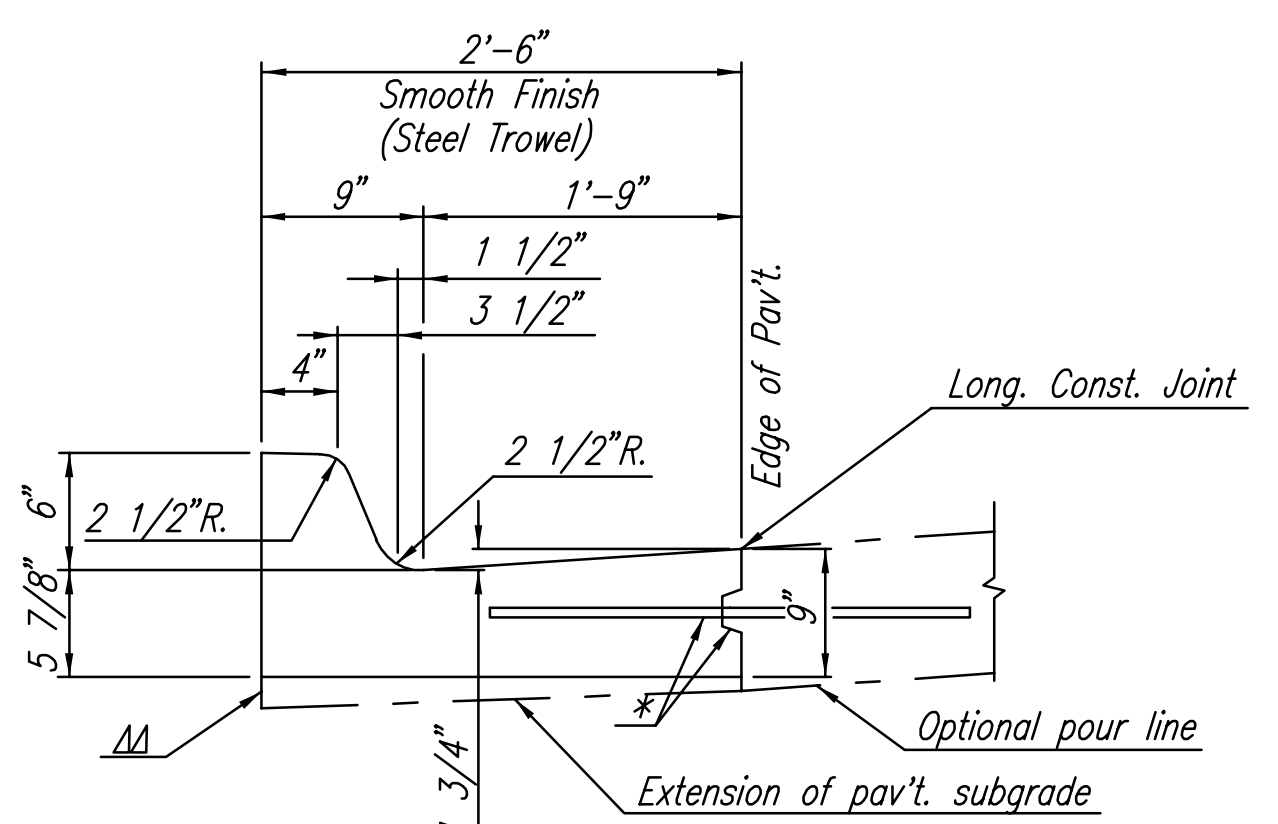


**EXISTING MARKING PLAN**

Contractor to replace any markings removed during construction.



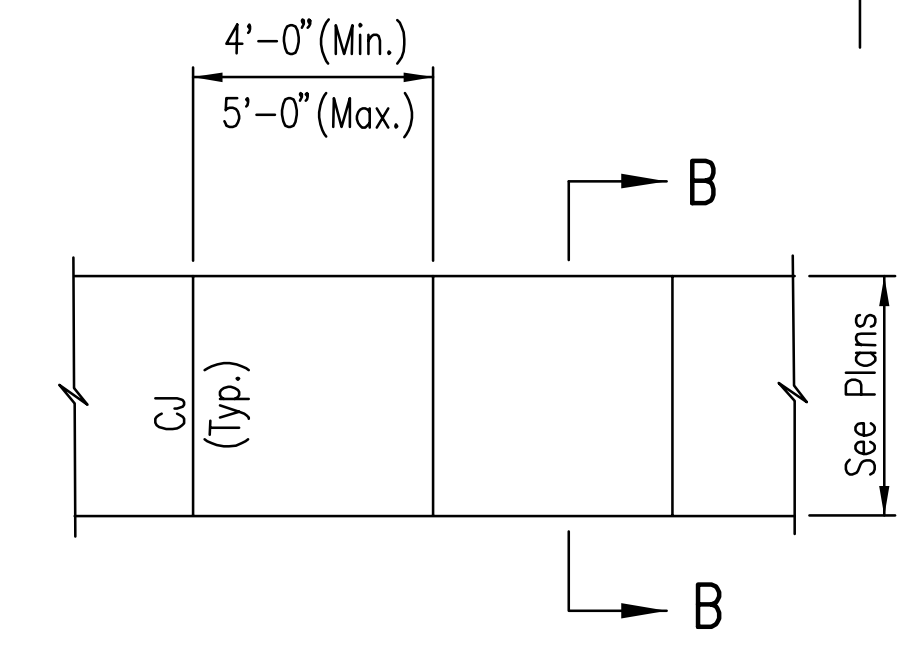
**DETAIL OF DOUBLE YELLOW STRIPING**



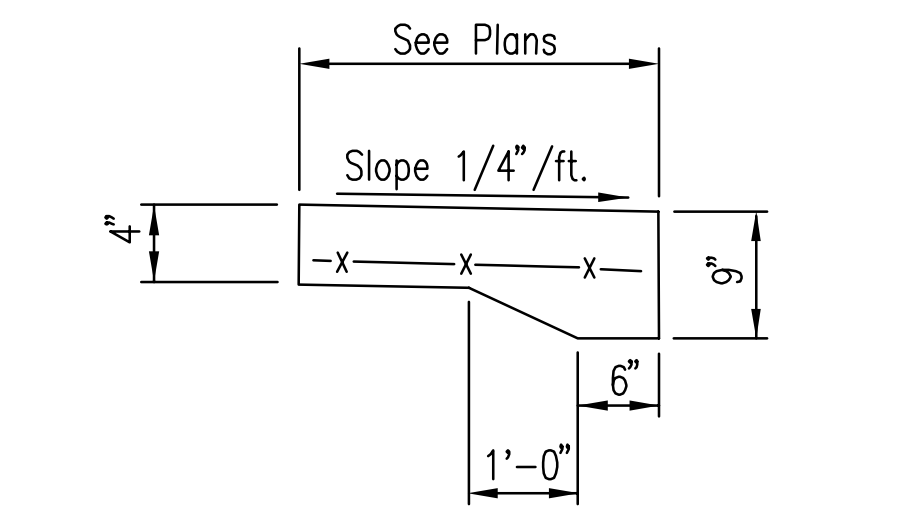
**COMBINED CURB AND GUTTER - TYPE I**

\* Longitudinal construction joint and #4X3'-0" bars @ 5'-0" ctrs. where concrete pavement is constructed.

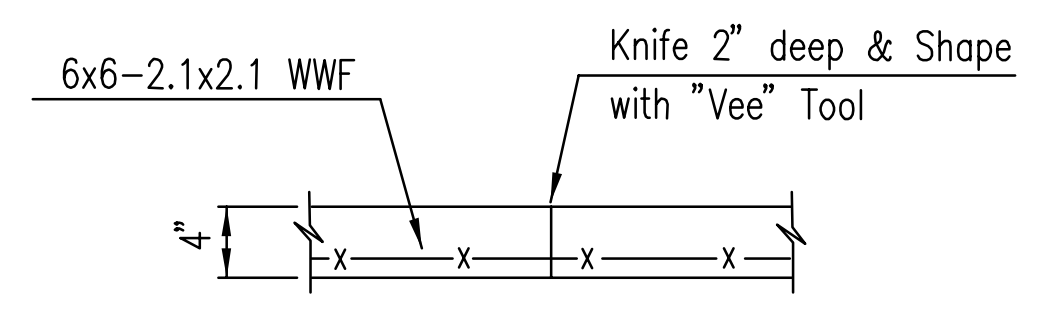
ΔΔ Contractor has option of thickening the curb and gutter as shown. Additional thickness shall be considered incidental to the curb and gutter bid item.



**PLAN**



**SECTION B-B**



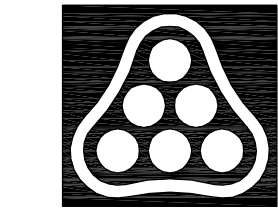
**CONTRACTION JOINT (CJ)**

Note: No sawn contraction joints will be allowed

**SIDEWALK DETAILS**

NOTE: MARKINGS SHALL BE THERMOPLASTIC UNLESS NOTED.

DSNR: BER OPER: CSL SCALE: 1=4.00 Q:\2004\04106\Typ21st 03-03-2004 11:08:21 am



No.	Revision	By	Date
CITY OF WICHITA, KANSAS JAMES L. ARMOUR, P.E. - ACTING CITY ENGINEER STORM WATER DRAIN #225 <b>TYPICAL SECTION AND MISCELLANEOUS DETAILS</b> CITY OF WICHITA PROJECT NO. 468-83775 <b>Professional Engineering Consultants, P.A.</b> 303 S. TOPEKA • WICHITA, KANSAS 67202 316-262-2691 • FAX 316-262-3003			
Designed by	BER, RAS	Job No.	32-04106-042
Drawn by	CSL	Date	FEBRUARY 2004
			SHT. 4 of 31